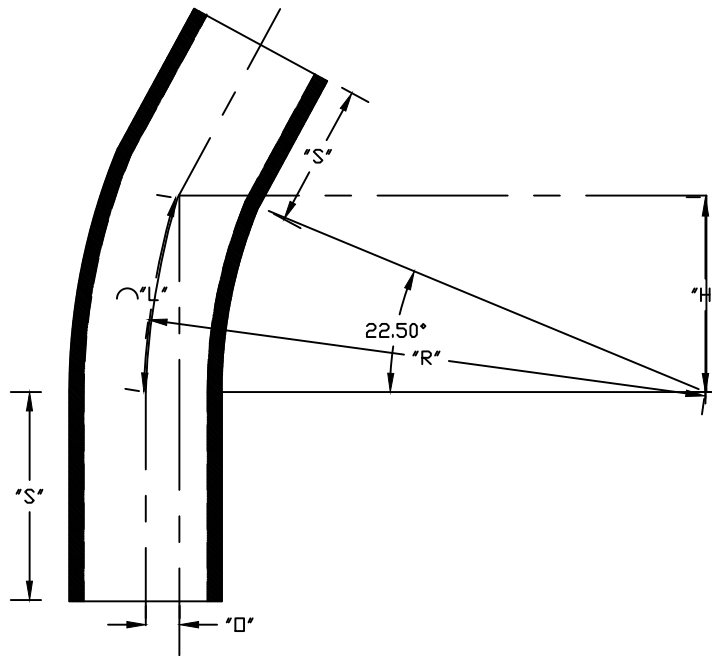


| PART NUMBER | SIZE   | "R"     | "D"      | "H"     | "S" MIN | "B" MIN | "L"    |
|-------------|--------|---------|----------|---------|---------|---------|--------|
| 5136649     | 1 1/2" | 8 1/4"  | 5/8"     | 3 1/8"  | 2"      | N/A     | 3 1/4" |
| 5136659     | 2"     | 9 1/2"  | 3/4"     | 3 5/8"  | 2"      | N/A     | 3 3/4" |
| 5136669     | 2 1/2" | 10 1/2" | 13/16"   | 4"      | 3"      | N/A     | 4 1/8" |
| 5136679     | 3"     | 13"     | 1"       | 5"      | 3 1/8"  | N/A     | 5 1/8" |
| 5121868     | 4"     | 16"     | 1 1/4"   | 6 1/8"  | 3 3/8"  | N/A     | 6 1/4" |
| 5121125     | 5"     | 24"     | 1 13/16" | 9 3/16" | 3 5/8"  | N/A     | 9 3/8" |



ETL LISTED  
 CONFORMS TO UL651  
 ETL CONTROL #3107144  
 CONFORMS TO NEMA TC3  
 SEE NEC ARTICLE 352 FOR USE  
 MATERIAL IS RIGID PVC  
 BEND TOLERANCE IS  $\pm 2^\circ$

Dimensions are nominal



**CANTEX**  
 INC.  
 Fort Worth, TEXAS

22-1/2° Elbows Plain End  
 Schedule 80 Standard Radius Elbows

Drawn By: O.M.

Date: 8/7/17

Ref. 5136649