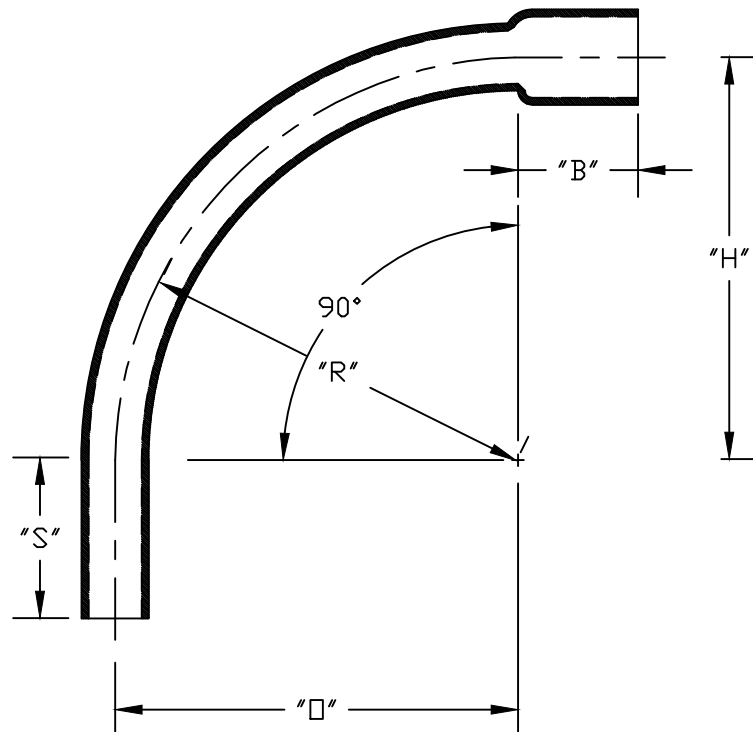


PART NUMBER	SIZE	"R"	"□"	"H"	"S" MIN	"B" MIN	"L"
5221056	1 ¼"	7 ¼"	7 ¼"	7 ¼"	2"	1"	11 ⅜"
5221057	1 ½"	8 ¼"	8 ¼"	8 ¼"	2"	1 ⅛"	13"
5221058	2"	9 ½"	9 ½"	9 ½"	2"	1 ¼"	15"
5221059	2 ½"	10 ½"	10 ½"	10 ½"	3"	1 ½"	16 ½"
5221060	3"	13"	13"	13"	3 ⅛"	1 ⅝"	20 ⅜"
5221061	4"	16"	16"	16"	3 ⅜"	1 ¾"	25 ⅛"
5221062	5"	24"	24"	24"	3 ⅝"	2"	37 ⅝"
5221117	6"	30"	30"	30"	3 ¾"	2 ⅛"	47 ⅛"



ETL LISTED
 CONFORMS TO UL651
 ETL CONTROL #3107144
 CONFORMS TO NEMA TC3
 SEE NEC ARTICLE 352 FOR USE
 MATERIAL IS RIGID PVC
 BEND TOLERANCE IS ±2°



CANTEX INC. Fort Worth, TEXAS		
90° Elbows Bell End Schedule 80 Standard Radius Elbows		
Drawn By: O.M.	Date: 5/12/17	Ref. 5221056