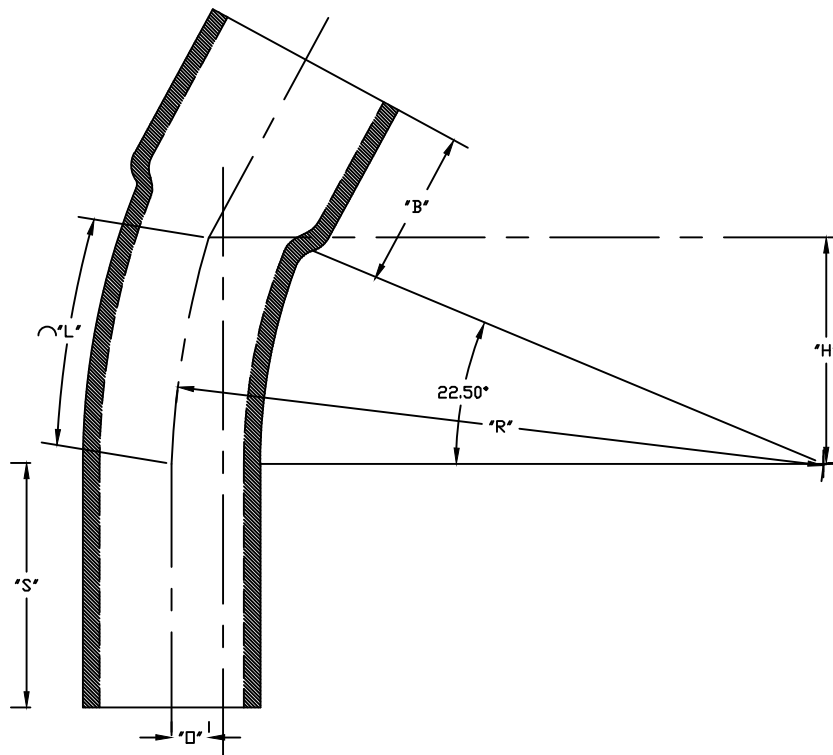


PART NUMBER	SIZE	"R"	"D"	"H"	"S" MIN	"B" MIN	"L"
5221052	2"	9 1/2"	3/4"	3 5/8"	2"	1 1/8"	3 3/4"
5236679	3"	13"	1"	5"	3 1/8"	1 5/8"	5 1/8"
5221868	4"	16"	1 1/4"	6 1/8"	3 3/8"	1 3/4"	6 1/4"
xxxxxxxx	5"	24"	1 13/16"	9 3/16"	3 5/8"	2"	9 3/8"
5221116	6"	30"	2 1/4"	11 1/2"	3 3/4"	2 1/8"	11 3/4"



ETL LISTED
 CONFORMS TO UL651
 ETL CONTROL #3107144
 CONFORMS TO NEMA TC3
 SEE NEC ARTICLE 352 FOR USE
 MATERIAL IS RIGID PVC
 BEND TOLERANCE IS ±2°



CANTEX INC. Fort Worth, TEXAS		
22-1/2° Elbows Bell End Schedule 80 Standard Radius Elbows		
Drawn By: O.M.	Date: 8/7/17	Ref. 5221052