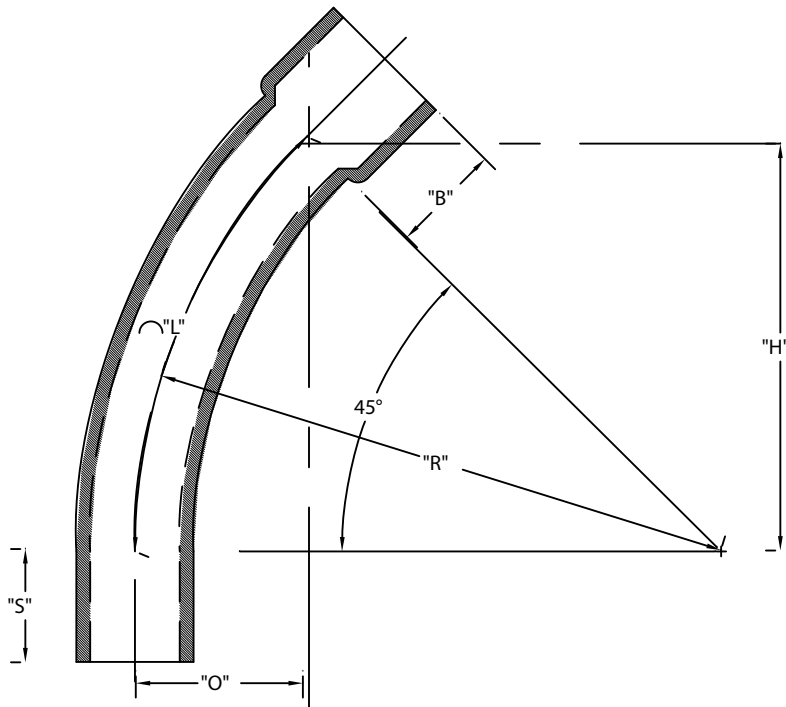


PART NUMBER	SIZE	"R"	"O"	"H"	"S" MIN	"B" MIN	"L"
5233763	1/2"	4"	1 3/16"	2 13/16"	1 1/2"	1"	3 1/8"
5233764	3/4"	4 1/2"	1 5/16"	3 3/16"	1 1/2"	1 1/2"	3 1/2"
5233765	1"	5 3/4"	1 11/16"	4 1/16"	1 7/8"	1 1/2"	4 1/2"
5233766	1 1/4"	7 1/4"	2 1/8"	5 1/8"	2"	1 1/2"	5 11/16"
5233767	1 1/2"	8 1/4"	2 7/16"	5 13/16"	2"	2"	6 1/2"
5233768	2"	9 1/2"	2 13/16"	6 3/4"	2"	2"	7 1/2"
5233769	2 1/2"	10 1/2"	3 1/16"	7 7/16"	3"	2 1/4"	8 1/4"
5233770	3"	13"	3 13/16"	9 3/16"	3 1/2"	2 1/2"	10 3/16"
5233771	3 1/2"	15"	4 3/8"	10 5/8"	3 1/4"	3 1/4"	11 13/16"
5233772	4"	16"	4 11/16"	11 3/16"	3 3/8"	3 1/4"	12 9/16"
5233773	5"	24"	7"	17"	3 5/8"	4 1/4"	18 7/8"
5233774	6"	30"	8 7/8"	21 1/4"	3 3/4"	5"	23 9/16"



ETL LISTED
 CONFORMS TO UL651
 ETL CONTROL #3107144
 CONFORMS TO NEMA TC3
 SEE NEC ARTICLE 352 FOR USE
 MATERIAL IS RIGID PVC
 BEND TOLERANCE IS $\pm 2^\circ$
 "B" TOLERANCE IS $-1/8", +1/2"$



45° Elbows Bell End
 Schedule 40 Standard Radius Elbows

Drawn By: CD Branch

Date: 10/15/07

Ref.