

CATALOG NUMBER	FIGURE NUMBER	ACCOMMODATES - COPPER CONDUCTORS				B	H	W	RECOMMENDED TORQUE		REV.	DATE	DESCRIPTION	ECO	BY	C'H'K.
		ROD "A"		CABLE "A-A"					IN-LB	N-m						
		NOMINAL O.D.	ACTUAL O.D. (IN) (MM)	AWG	METRIC WIRE SIZE											
GRC12	1	1/2	0.500 [13]	10 SOL(.102) - 2 STR(.292)	6MM <sup>2</sup> STR[3.21] - 35MM <sup>2</sup> STR[7.62]	.63[16]	2.00[51]	.89[23]	240	27.0	A	5/14/2009 9:39:00 AM	REDRAWN TO PRO/E	1668	ATM	PW
GRC58	2	5/8	0.625 [16]	10 SOL(.102) - 1 STR(.332)	6MM <sup>2</sup> STR[3.21] - 35MM <sup>2</sup> STR[7.62]	.57[14]	2.18[55]	.95[24]								
GRC34	1	3/4	0.750 [19]	8 SOL(.128) - 1/0STR(.373)	10MM <sup>2</sup> SOL[3.58] - 35MM <sup>2</sup> STR[7.62]	.65[17]	2.47[63]	1.09[28]								

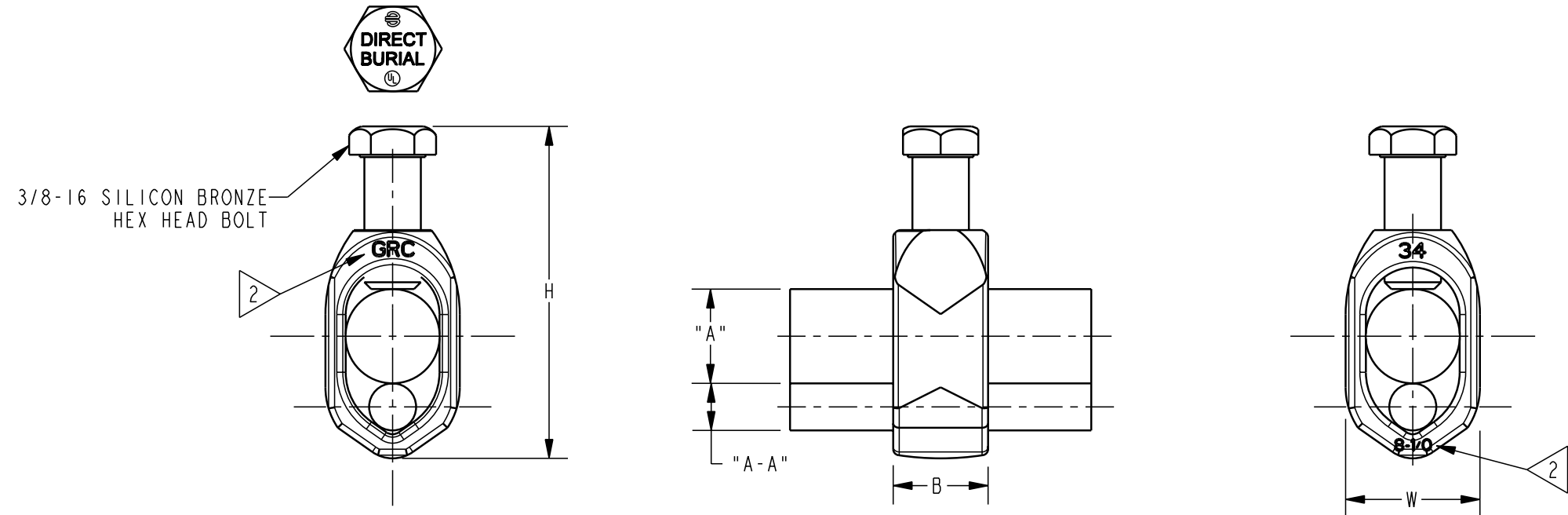


FIGURE 1

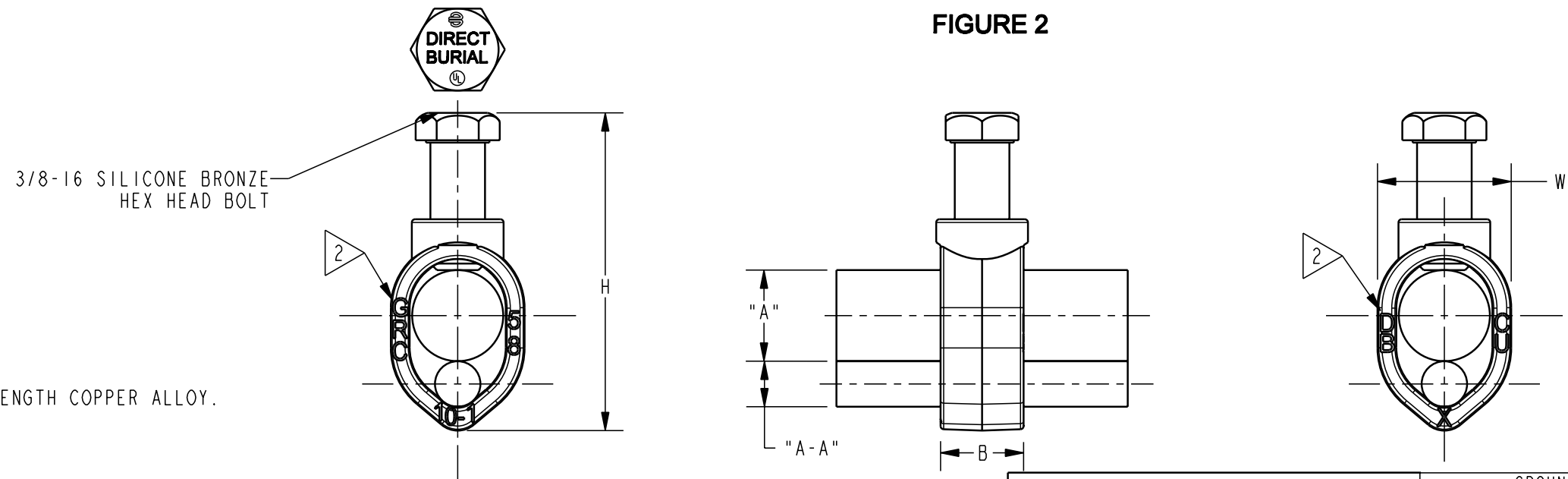


FIGURE 2

NOTES:

1. MATERIAL: BODY CAST FROM HIGH STRENGTH COPPER ALLOY.
- 2 TYPICAL LETTERING.
3. UL467 LISTED, FILE E9999.
4. SUITABLE FOR DIRECT BURIAL IN EARTH OR CONCRETE.
- 5 REA ACCEPTED.

6 DIMENSIONS IN BRACKETS [ ] ARE IN MILLIMETERS ROUNDED OFF TO THE NEAREST MILLIMETER UNLESS OTHERWISE NOTED, AND ARE FOR REFERENCE ONLY.

TO ORDER BURNDY® PRODUCTS CALL		GROUNDING ROD CONNECTOR	
UNITED STATES:		ITEM NO: SEE TABLE	
1-800-346-4175 (LONDONDERRY, NH)		CAT. NO: SEE TABLE	
CANADA:		DRAWN BY: TJM 06/17/1975	
1-800-361-6975 (QUEBEC)		CHECKER: --	
1-800-387-6487 (ALL OTHER PROVINCES)		DSN APPVL: ESK 06/18/1975	
FOR PRODUCT INFO: <a href="http://www.burndy.com">http://www.burndy.com</a>		MFG APPVL: --	
		QA APPVL: --	
		MKT APPVL: --	
		PROJ FAM: --	
		PROJECT #: --	
		DOCUMENT TYPE: --	
		REL LEVEL: Released	
		SCALE: 1:1	
		DRAWING NO	
		SA76868	
		REV	
		A	
		SHEET 1 OF 1	

REV: PE0200