

11" x 18" BOX ASSEMBLY

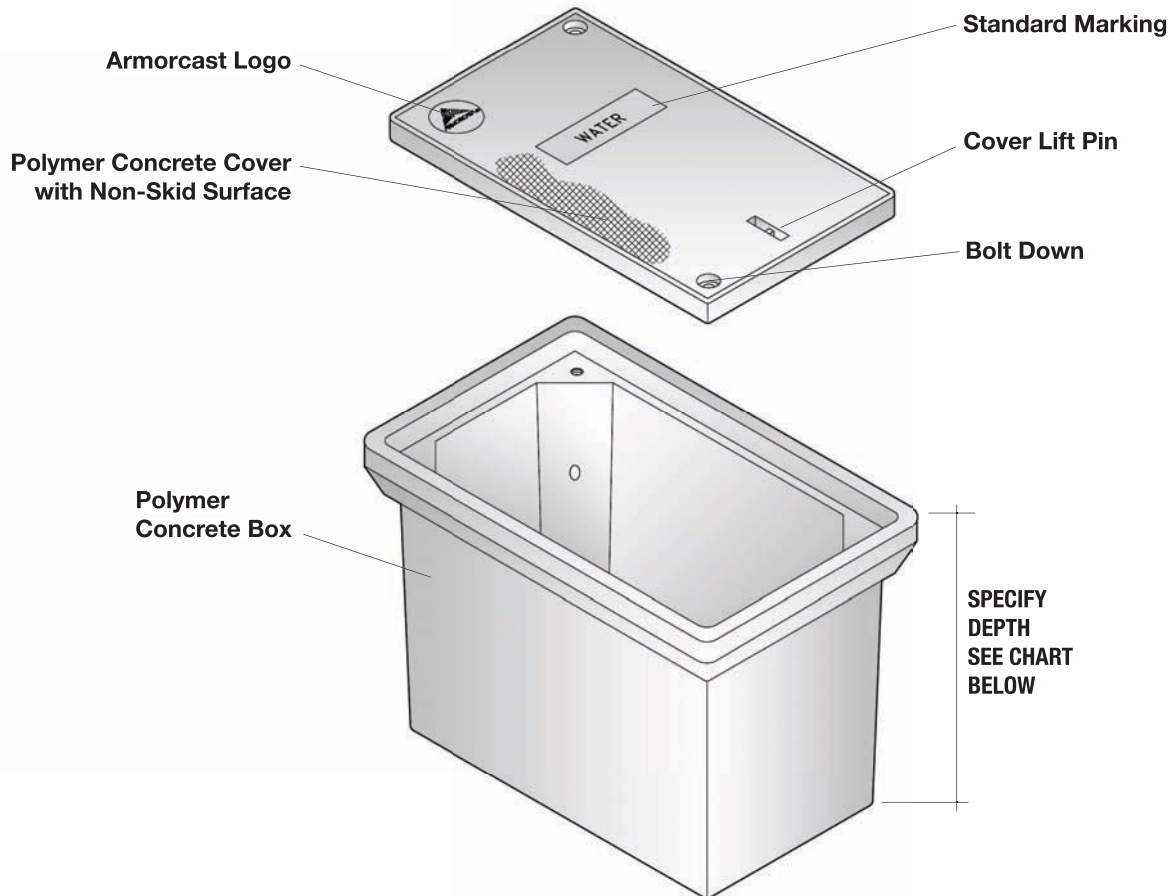
12" to 18" DEPTHS



POLYMER CONCRETE

ARMORCAST PRODUCTS COMPANY

A6001429



POLYMER CONCRETE BOXES

11"W x 18"L BOX ASSEMBLIES Specify Depth Below

DESCRIPTION	NOMINAL SIZE W x L x D	LOAD RATING	ANSI TIER	PART NUMBER	APPROX. WEIGHT	PALLET QTY.
Box & Cover Assembly	11" x 18" x 12"	10K	8	A6001429A	47 lbs.	18
	11" x 18" x 12"	20K	15	A6001429TA	47 lbs.	18
Box & Cover Assembly	11" x 18" x 18"	10K	8	A6001429AX18	71 lbs.	12
	11" x 18" x 18"	20K	15	A6001429TAX18	71 lbs.	12

COMPONENTS

MORE COVER VARIATIONS ARE AVAILABLE IN OUR "COVER SECTION"

DESCRIPTION	NOMINAL SIZE W x L x D	LOAD RATING	ANSI TIER	PART NUMBER	APPROX. WEIGHT	PALLET QTY.
Replacement Covers	11" x 18"	10K	8	A6001428	15 lbs.	50
	11" x 18"	20K	15	A6001428T	15 lbs.	50
Replacement Boxes	11" x 18" x 12"	10K / 20K	8 / 15	A6001429	32 lbs.	18
	11" x 18" x 18"	10K / 20K	8 / 15	A6001429X18	56 lbs.	12

- Boxes are Open Bottom and Stackable, also available with Solid Bottoms.
- For sizes not shown please contact Armorcast Products for more information.

© 2011 Armorcast Products Company 811

www.armorcastprod.com

Tel: (818) 982-3600 Fax: (818) 982-7742



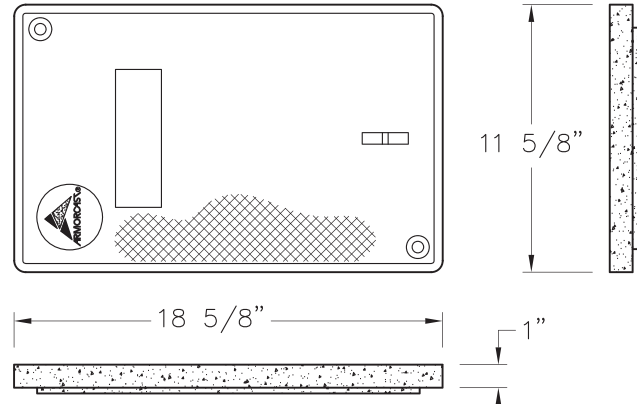
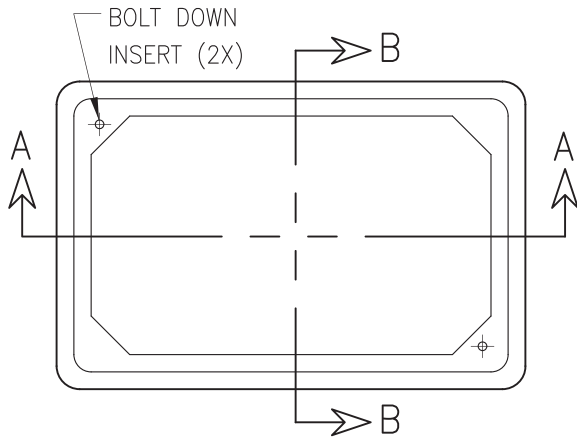
11" x 18" BOX ASSEMBLY

STANDARD DIMENSIONS

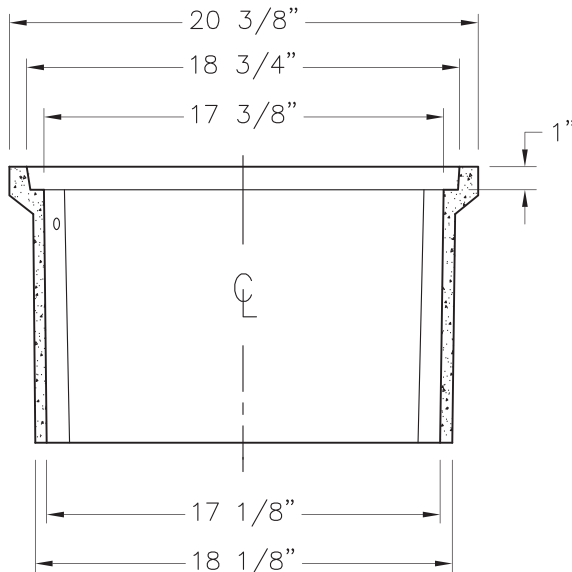
ARMORCAST PRODUCTS COMPANY

POLYMER CONCRETE

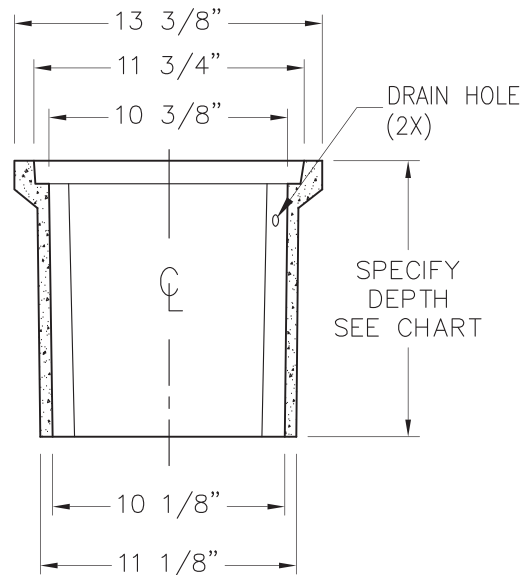
A6001429



POLYMER CONCRETE COVER



SECTION A-A



SECTION B-B

POLYMER CONCRETE BOX

POLYMER CONCRETE BOXES

Armorcast Products Company reserves the right to update or discontinue product information at any time without notice.

© 2011 Armorcast Products Company 811

www.armorcastprod.com

Tel: (818) 982-3600 Fax: (818) 982-7742