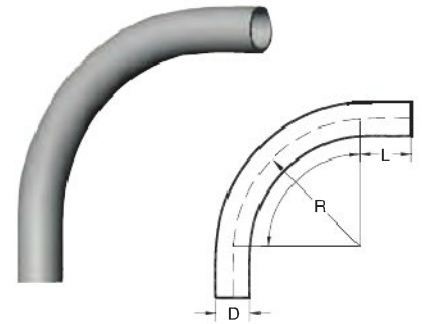


# PVC Schedule 80 - Standard Radius Elbows (Plain End)

Listed to UL 651

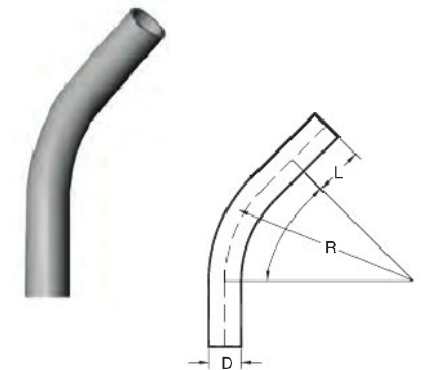
## 90° Elbows

Trade Size	Part Number	Average O.D.	Minimum Length (L) I.D.	Radius (R)	Standard Package Quantity
		in.	in.	in.	
½	59012	0.840	1.500	4.00	50
¾	59013	1.050	1.500	4.50	25
1	59014	1.315	1.875	5.75	25
1 ¼	59015	1.660	2.000	7.25	25
1 ½	59016	1.900	2.000	8.25	25
2	59017	2.375	2.000	9.50	25
2 ½	59018	2.875	3.000	10.50	50
3	59019	3.500	3.125	13.00	50
3 ½	59020	4.000	3.250	15.00	25
4	59021	4.500	3.375	16.00	25
5	59022	5.563	3.625	24.00	20
6	59023	6.625	3.750	30.00	16



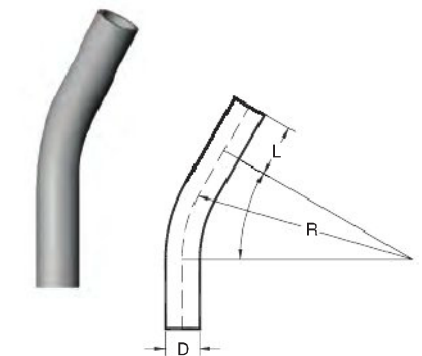
## 45° Elbows

Trade Size	Part Number	Average O.D.	Minimum Length (L) I.D.	Radius (R)	Standard Package Quantity
		in.	in.	in.	
½	59000	0.840	1.500	4.00	50
¾	59001	1.050	1.500	4.50	25
1	59002	1.315	1.875	5.75	25
1 ¼	59003	1.660	2.000	7.25	25
1 ½	59004	1.900	2.000	8.25	25
2	59005	2.375	2.000	9.50	25
2 ½	59006	2.875	3.000	10.50	50
3	59007	3.500	3.125	13.00	50
3 ½	59008	4.000	3.250	15.00	25
4	59009	4.500	3.375	16.00	25
5	59010	5.563	3.625	24.00	20
6	59011	6.625	3.750	30.00	16



## 30° Elbows

Trade Size	Part Number	Average O.D.	Minimum Length (L) I.D.	Radius (R)	Standard Package Quantity
		in.	in.	in.	
¾	59065	1.050	1.500	4.50	25
1	59066	1.315	1.875	5.75	25
1 ¼	59067	1.660	2.000	7.25	25
1 ½	59068	1.900	2.000	8.25	25
2	59069	2.375	2.000	9.50	25
2 ½	59070	2.875	3.000	10.50	50
3	59071	3.500	3.125	13.00	50
4	59072	4.500	3.375	16.00	25
5	59073	5.563	3.625	24.00	20
6	59074	6.625	3.750	30.00	16



11.25° & 22.5° Standard Radius Elbows are available upon request

Item availability may vary by region.

NOTE: Special orders are non-cancelable, non-returnable and non-refundable.

800.882.5543

