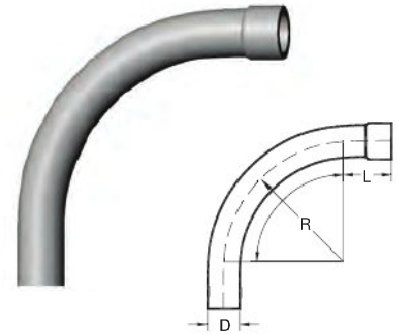


# PVC Schedule 80 - Standard Radius Elbows (Belled End)

Listed to UL 651

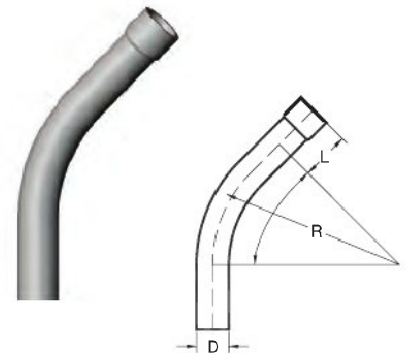
## 90° Elbows

Trade Size	Part Number	Average O.D.	Minimum Length (L) I.D.	Radius (R)	Standard Package Quantity
		in.	in.	in.	
¾	925610	1.050	1.500	4.50	25
1	924949	1.315	1.875	5.75	25
1 ¼	924954	1.660	2.000	7.25	25
2	924970	2.375	2.000	9.50	25
2 ½	924977	2.875	3.000	10.50	50
3	924993	3.500	3.125	13.00	50
4	925006	4.500	3.375	16.00	25
5	925017	5.563	3.625	24.00	20
6	925028	6.625	3.750	30.00	16



## 45° Elbows

Trade Size	Part Number	Average O.D.	Minimum Length (L) I.D.	Radius (R)	Standard Package Quantity
		in.	in.	in.	
1 ½	903486	1.900	2.000	8.25	25
2	924967	2.375	2.000	9.50	25
2 ½	924976	2.875	3.000	10.50	50
3	924990	3.500	3.125	13.00	50
4	925003	4.500	3.375	16.00	25
5	925015	5.563	3.625	24.00	20
6	925025	6.625	3.750	30.00	16



Item availability may vary by region.

NOTE: Special orders are non-cancelable, non-returnable and non-refundable.

[alliedeg.com](http://alliedeg.com)