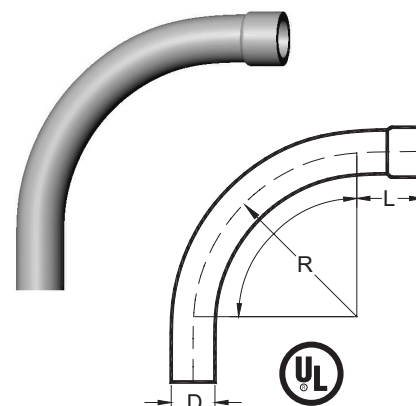


PVC Schedule 40 - Standard Radius Elbows (Bell End)

90° Elbows - Bell End*

Trade Size	Part Number	Unit Quantity	Diameter (D) (in)	Length (L) (in)	Radius (R) (in)
1/2	802752	35	0.840	1.500	4.00
3/4	802753	50	1.050	1.500	4.50
1	802754	25	1.315	1.875	5.75
1-1/4	802755	20	1.660	2.000	7.25
1-1/2	802756	15	1.900	2.000	8.25
2	802757	10	2.375	2.000	9.50
2-1/2	802758	100	2.875	3.000	10.50
3	802759	50	3.500	3.125	13.00
3-1/2	802761	50	4.000	3.250	15.00
4	802762	50	4.500	3.375	16.00
5	802763	25	5.565	3.622	24.00
6	802764	25	6.625	3.740	30.00

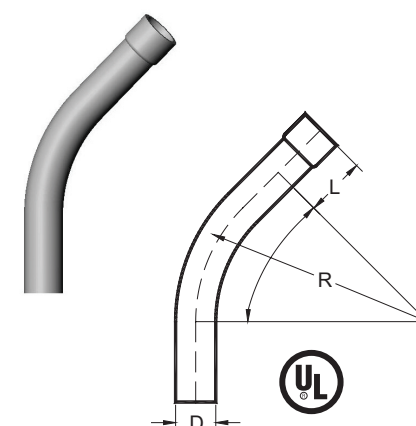
*Special radius available upon request.



45° Elbows - Bell End*

Trade Size	Part Number	Unit Quantity	Diameter (D) (in)	Length (L) (in)	Radius (R) (in)
1/2	802765	70	0.840	1.500	4.00
3/4	802767	50	1.050	1.500	4.50
1	802768	50	1.315	1.875	5.75
1-1/4	802769	30	1.660	2.000	7.25
1-1/2	802770	15	1.900	2.000	8.25
2	802771	10	2.375	2.000	9.50
2-1/2	802772	12	2.875	3.000	10.50
3	802773	10	3.500	3.125	13.00
3-1/2	802774	1	4.000	3.250	15.00
4	802775	1	4.500	3.375	16.00
5	802776	1	5.565	3.625	24.00
6	802777	1	6.625	3.750	30.00

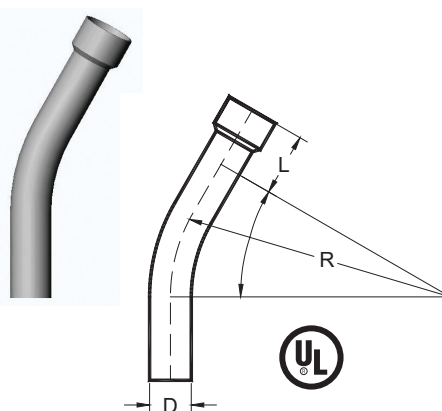
*Special radius available upon request.



30° Elbows - Bell End*

Trade Size	Part Number	Unit Quantity	Diameter (D) (in)	Length (L) (in)	Radius (R) (in)
1/2	802778	50	0.840	1.500	4.00
3/4	802779	35	1.050	1.500	4.50
1	802780	50	1.315	1.875	5.75
1-1/4	802781	30	1.660	2.000	7.25
1-1/2	802782	50	1.900	2.000	8.25
2	802783	30	2.375	2.000	9.50
2-1/2	802784	10	2.875	3.000	10.50
3	802785	10	3.500	3.125	13.00
3-1/2	802786	1	4.000	3.250	15.00
4	802787	1	4.500	3.375	16.00
5	802788	1	5.565	3.625	24.00
6	802789	1	6.625	3.750	30.00

*Special radius available upon request.



PVC Conduit & Fittings are not available in all markets.

Please contact your Allied representative or distributor for details.

NOTE: Special orders are non-cancelable, non-returnable and non-refundable.