

# LifeGard II<sup>®</sup> Traffic Drum

ACCEPTS TWO TYPES OF BALLAST

Manufactured from high density polyethylene plastic with UV inhibitors.



## The Drum System that became an American Icon.

Intermittent Stacking Rims prevent drums from locking when stacked.

Stacking Rims also protect sheeting from damage.

LifeGard II drum accommodates Rubber Tire Collar or an internal, snap-on rubber base.

Anti-Roll Feature, a flat section of the flange, slows rolling if drum is impacted.

Molded handle accepts Type A and C Warning Lights.

LifeGard II drums accommodate up to 5 bands of retroreflective sheeting.

Sheeting available in 4" and 6" widths.

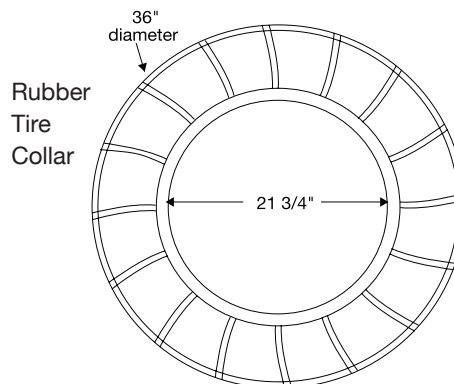
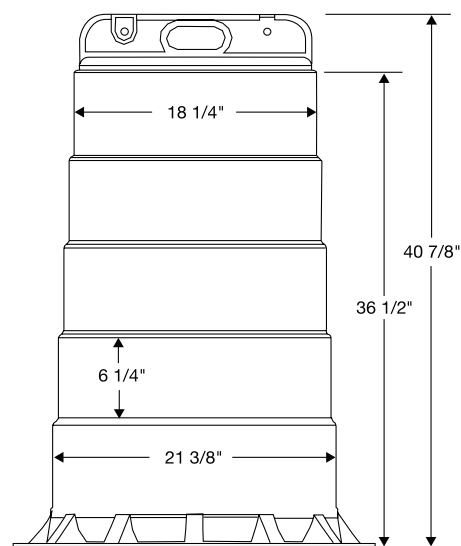
Sheeting meets all state and federal specifications, and is available in Engineer, Hi-Intensity and Fluorescent grades.



We use 3M Reflective Sheeting.



LifeGard II Drum with Rubber Tire Collar



Rubber Tire Collar

# LifeGard II® Traffic Drum

## Snap-on Internal Rubber Base



LifeGard II Drum with Internal, snap-on rubber base and warning light

Anti-Roll Feature, a flat section of the base, slows rolling if drum is impacted.

Available in 25 or 40 lb. weights.  
Two carrying handles for easier transport.  
Center hole accepts 42" Navigator Channelizer.  
100% recycled material.



Snap-on internal rubber base

## PSS “Hot Stamp” Process

### BRANDED DRUMS

Hot Stamp your logo on your LifeGard Drums.

Add your custom logo to our LifeGard drums.

“Hot Stamp” ink permeates plastic and resists damage during normal use.

Stencil ink does not permeate plastic. It lays on the surface, vulnerable to scuffs and scratches.



Compare “Hot Stamp” to the labor and material costs, and durability, of stencil.



FHWA Acceptance Letter WZ-54.  
US Patent Nos. D486,089, 6,817,805 B2 and 7,059,798.  
Canadian Patent 2,438,071.