

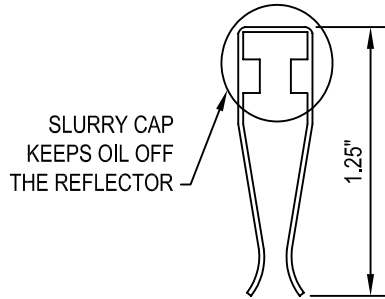


PEXCO, DAVIDSON TRAFFIC CONTROL PRODUCTS
 3110 70TH AVENUE EAST
 TACOMA, WA 98424
 TOLL FREE: 1-877-335-4638
 PHONE: (253) 284-8000
 FAX: (253) 284-8080
 www.davidsontraffic.com

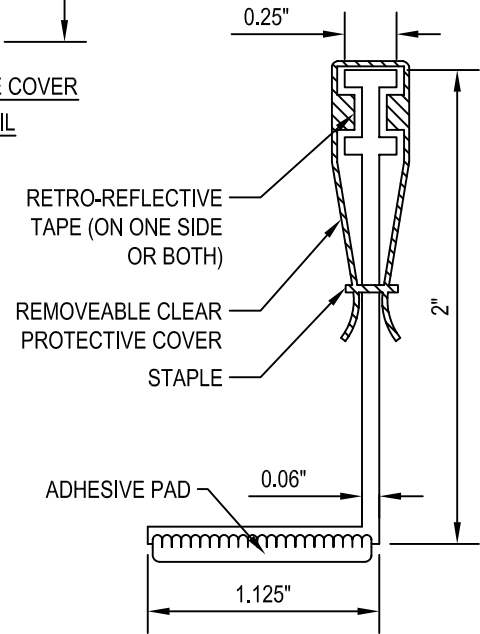
- SELECT DESIRED REFLECTIVE COLOR
- TYPE Y-2 - YELLOW 2-WAY
- TYPE Y-1 - YELLOW 1-WAY
- TYPE W-2 - WHITE 2-WAY
- TYPE W-1 - WHITE 1-WAY
- CUSTOM (SEE NOTE 3)

- SELECT DESIRED OPTION
- REFLECTOR APPLIED TO ONE SIDE
- REFLECTOR APPLIED TO BOTH SIDES

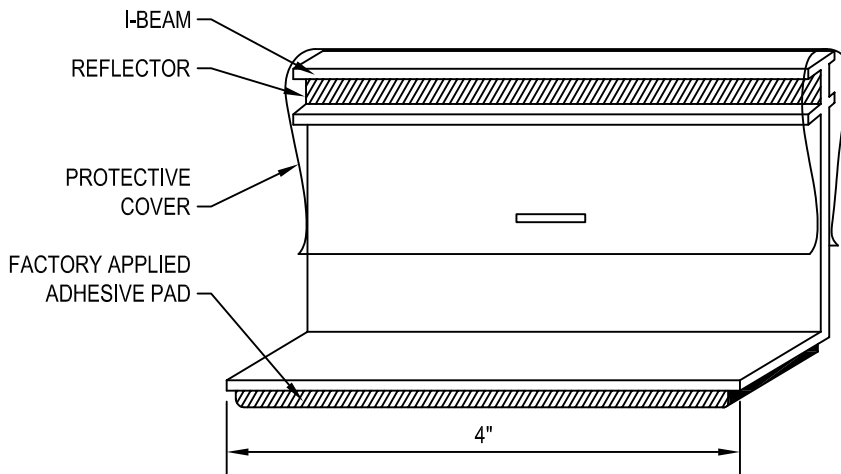
- SELECT DESIRED CAP
- SINGLE
- DOUBLE



PROTECTIVE COVER
DETAIL



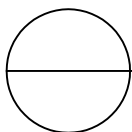
SECTION



ISOMETRIC

NOTES:

1. INSTALLATION TO BE COMPLETED IN ACCORDANCE WITH MANUFACTURER'S SPECIFICATIONS.
2. DO NOT SCALE DRAWINGS.
3. CUSTOM COLORS ARE AVAILABLE. CONTACT MANUFACTURER.
4. CONTRACTORS NOTE: FOR PRODUCT AND COMPANY INFORMATION VISIT www.CADdetails.com/info REFERENCE NUMBER 644-026.



TRPM FLEXIBLE CHIP SEAL MARKERS

TEMPORARY CHIP AND SLURRY SEAL MARKERS - SPECIFICATIONS AND INSTALLATION

