

POLARIS™
Submersible Connectors
 ISPB, ISPBO, ISPBS SERIES



FEATURES

- Manufactured from high strength 6061-T6 aluminum alloy, providing premium electrical and mechanical performance.
- Radial tipped set-screws reduce conductor strand damage, and the range taking design allows for many sizes and types of conductors – all in one connector.
- Encapsulated in rubber with a nominal thickness of 125 mils.
- Abrasion and chemical resistant, UV resistant
- Will not support combustion.

RATINGS



UL Listed 486D Wire Connector.
 Meets or exceeds ANSI C119.4 Class A specifications.

TEMPERATURE RATING/VOLTAGE:

AL9CU. Cold temperature rated to -45 °C, rated 600V, 90 °C.

WIRE TYPE:

Dual rated for copper or aluminum conductors.

INSTALLATION INSTRUCTIONS:

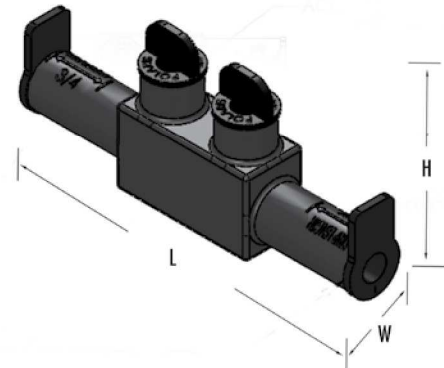
See page 216 for detailed installation information.

All dimensional data is listed in inches.

CAT. NO.	NO. OF PORTS	FIG.
ISPBS2/0	2	1
ISPBS350	2	1
ISPB2/0-2	2	2
ISPB2/0-3	3	2
ISPB2/0-4	4	2
ISPB2/0-6	6	2
ISPBO2/0	3	3

*ISPBS350 - Not UL Listed.

FIG. 1





COLOR	WIRE RANGE KCMIL	LENGTH (L)	WIDTH (W)	HEIGHT (H)	TORQUE VALUE (IN./LBS.)	HEX SIZE	STD. CTN. QTY.
Black	2/0-#14	5.05	0.88	2.1	SEE TABLE 1	3/16	1
Black	350-#12	8.28	1.31	3.06		5/16	1
Black	2/0-#14	1.93	2.65	2.10		3/16	1
Black	2/0-#14	2.79	2.65	2.10		3/16	1
Black	2/0-#14	3.65	2.65	2.10		3/16	1
Black	2/0-#14	5.37	2.65	2.10		3/16	1
Black	2/0-#14	2.79	4.18	2.10		3/16	1

Table 1

CONDUCTOR RANGE	INCH-POUNDS
#10 - #14	35
#8	75
2/0-#6	120

FIG. 2

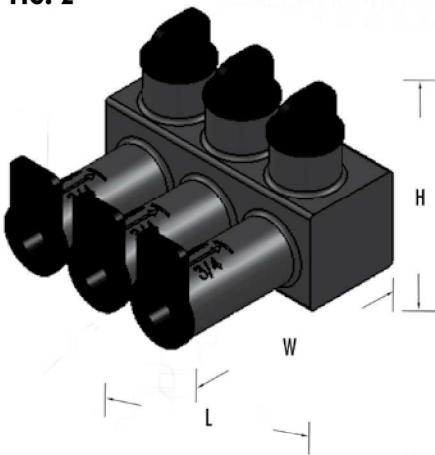


FIG. 3

