

**INDUSTRIAL CONTROL - RAINPROOF / OUTDOOR TYPE 3R
SUITABLE FOR USE AS SERVICE EQUIPMENT**

BONDED NEUTRAL REMOVE BONDING MEANS FOR TEST PURPOSES ONLY

CAT. NO. USP2R-100-112C-OPK-LT-AL 120/240VAC 1-PHASE 60HZ 3-WIRE 100 AMPS

SHORT CIRCUIT RATING: 10,000 RMS SYMMETRICAL AMPS @ 240 VAC MAX.
HOWEVER, THIS SHORT CIRCUIT RATING IS LIMITED TO THE LOWEST INTERRUPTING CAPACITY ON ANY DEVICE INSTALLED.

*CIRCUIT BREAKERS 100 AMPS OR LESS: CUTLER-HAMMER BR, BRH, BD, BQ, GFCB.
REPLACEMENT BREAKER(S) MUST BE SAME TYPE AND RATING.

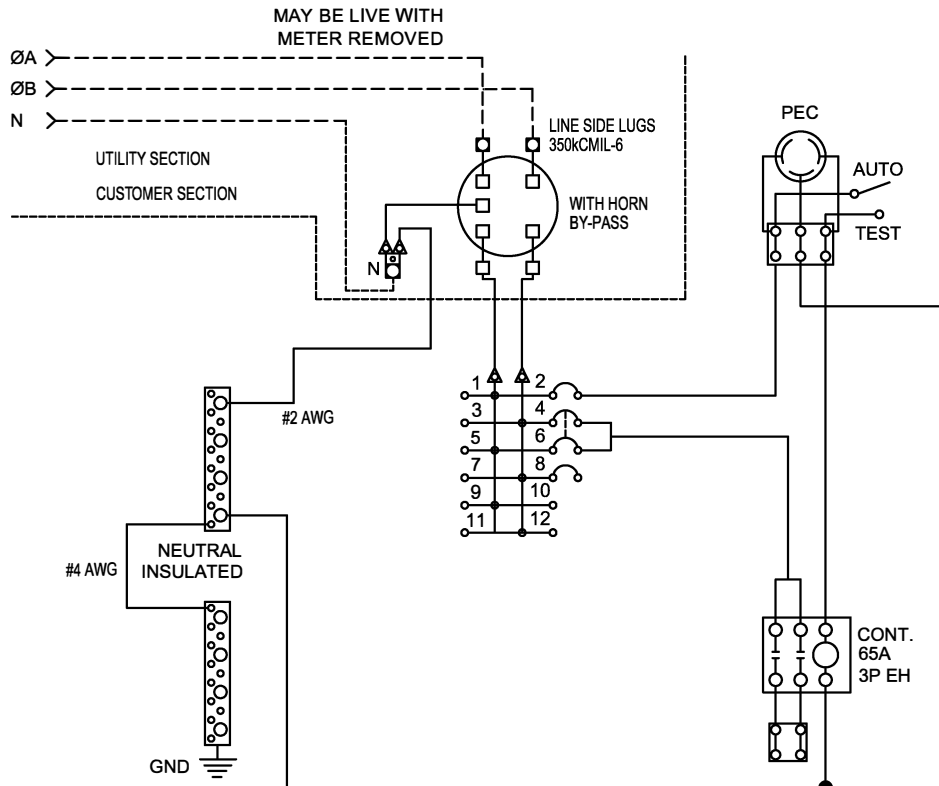
*AUTOMATIC TRIP IS INDICATED BY HANDLE POSITION MIDWAY BETWEEN (ON) AND (OFF). TO RESTORE POWER MOVE HANDLE TO (OFF), THEN (ON).

*METER SOCKET: DURHAM 200 AMPS CONTINUOUS.
CAUTION: WATT-HOUR METER NOT INCLUDED IN SHORT CIRCUIT RATING.

*LOAD CENTER IS SUITABLE FOR USE WITH 60/75 DEGREE C COPPER OR ALUMINUM WIRE.

*LOAD CENTER IS LIMITED TO A MAXIMUM OF 12 INSTALLED CIRCUITS THAT UTILIZE A NEUTRAL CONNECTION, EITHER SINGLE POLE, MULTI-POLE, OR A COMBINATION OF EACH.

*SHIPPING TENDS TO LOOSEN ELECTRICAL CONNECTIONS - TIGHTEN ALL CONNECTIONS BEFORE ENERGIZING UNIT.



NO.	AMP.	POLE	DESCRIPTION
2	15	1	CONTROL
4-6	30	2	LIGHTING

- *** TORQUE INFORMATION
- 350MCM - 6 CU/AL 325 IN.LB.
 - ▲ #14-1/0 CU/AL 50 IN.LB.
- *** NEUTRAL & EQUIPMENT GROUND-SINGLE CONDUCTOR
- #14-1/0 CU/AL #3-1/0 50 IN.LB.
 - #6-4 45 IN.LB.
 - #8 40 IN.LB.
 - #14-10 25 IN.LB.
 - #14-6 CU/AL #6 35 IN.LB.
 - #8 25 IN.LB.
 - #14-10 20 IN.LB.
- *** EQUIPMENT GROUND-MULTIPLE CONDUCTOR
- (2 OR 3) #10,12,14 CU/AL 45 IN.LB.
 - (2) #12,14 CU/AL 20 IN.LB.
- *** FIELD INSTALLED DEVICES-TORQUE TO VALUES INDICATED ON OR WITH DEVICE