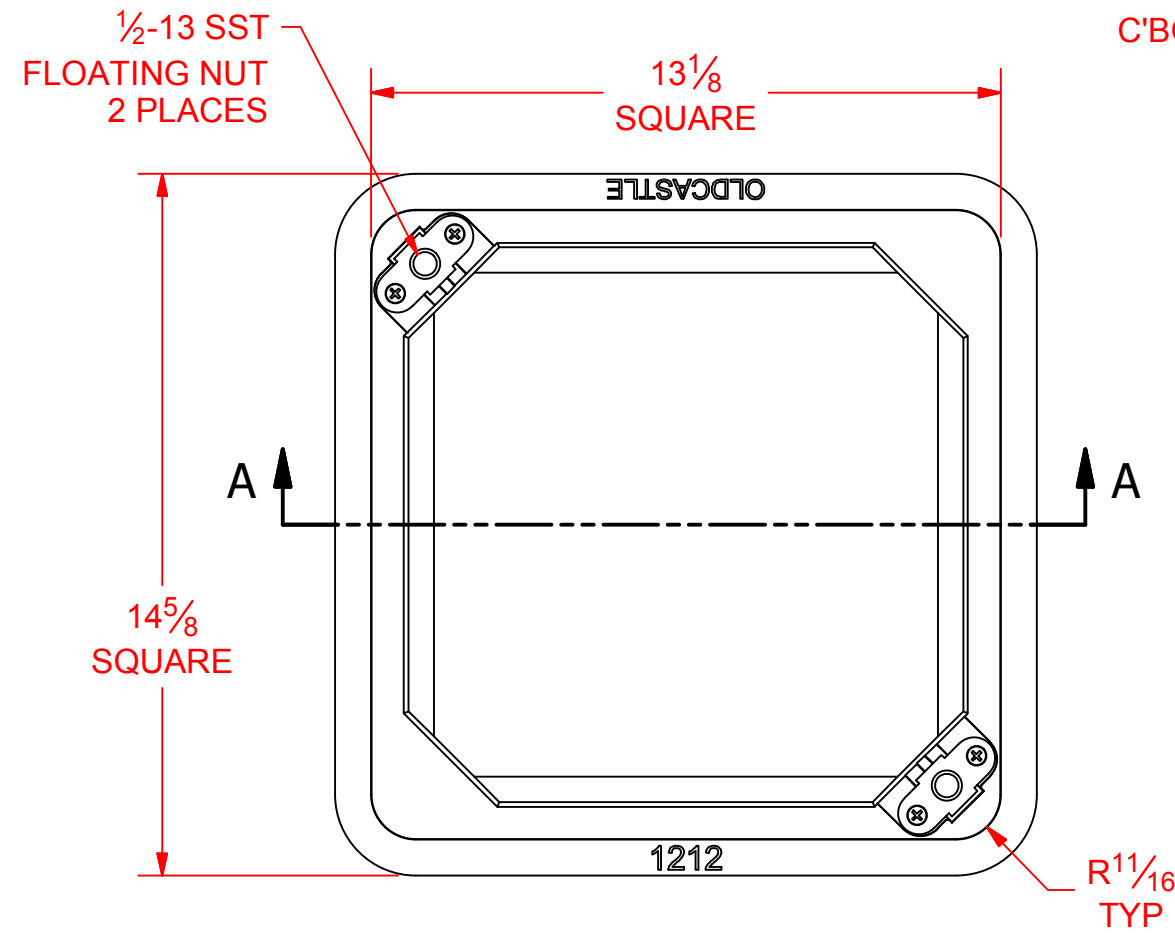
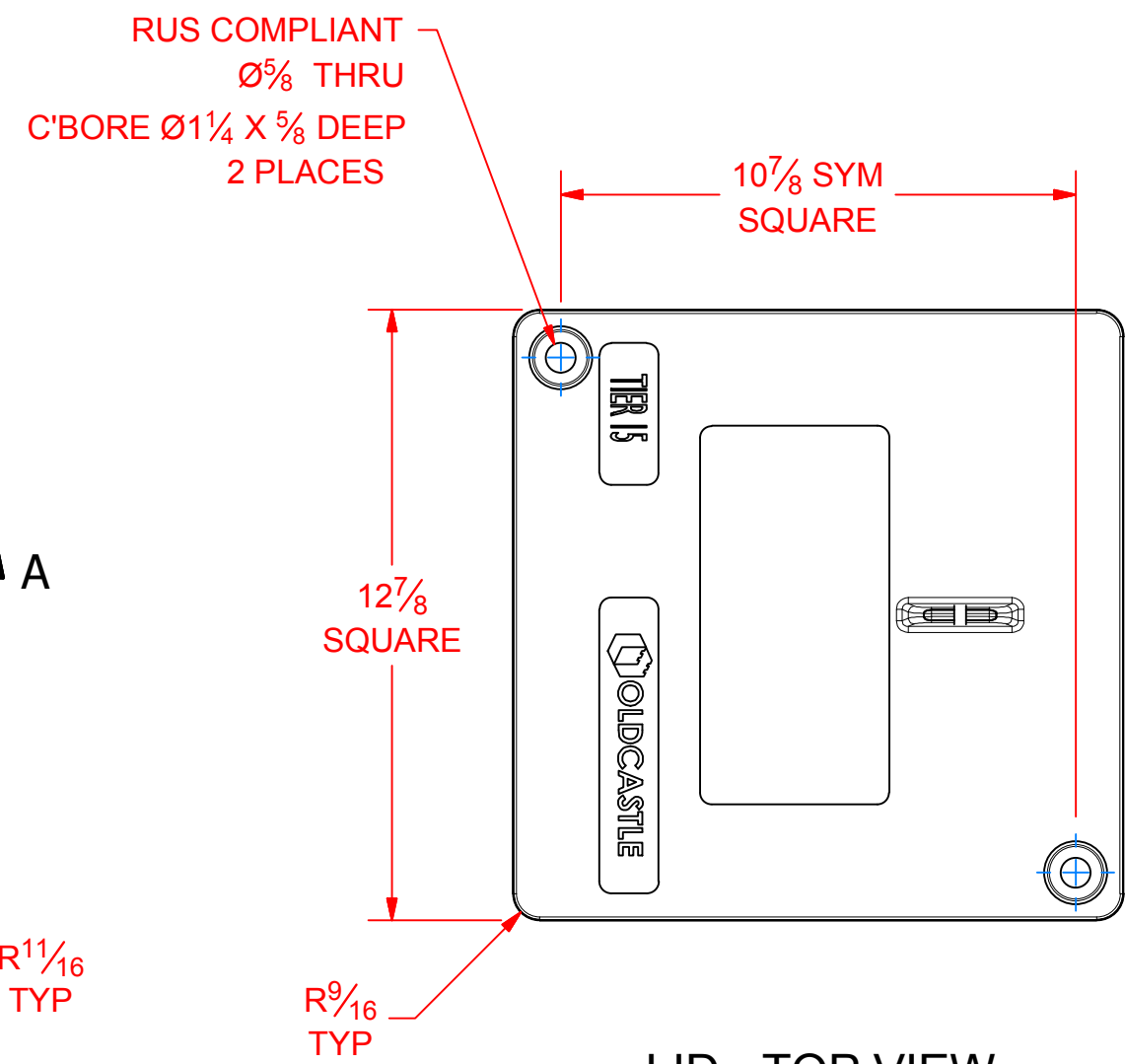


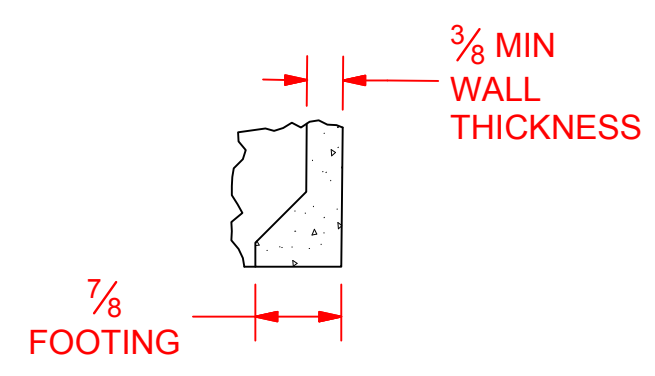
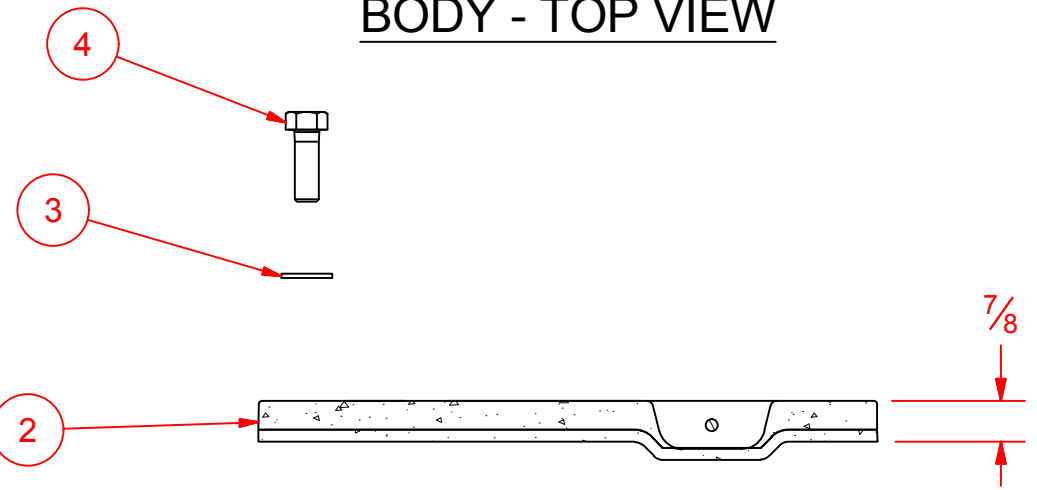
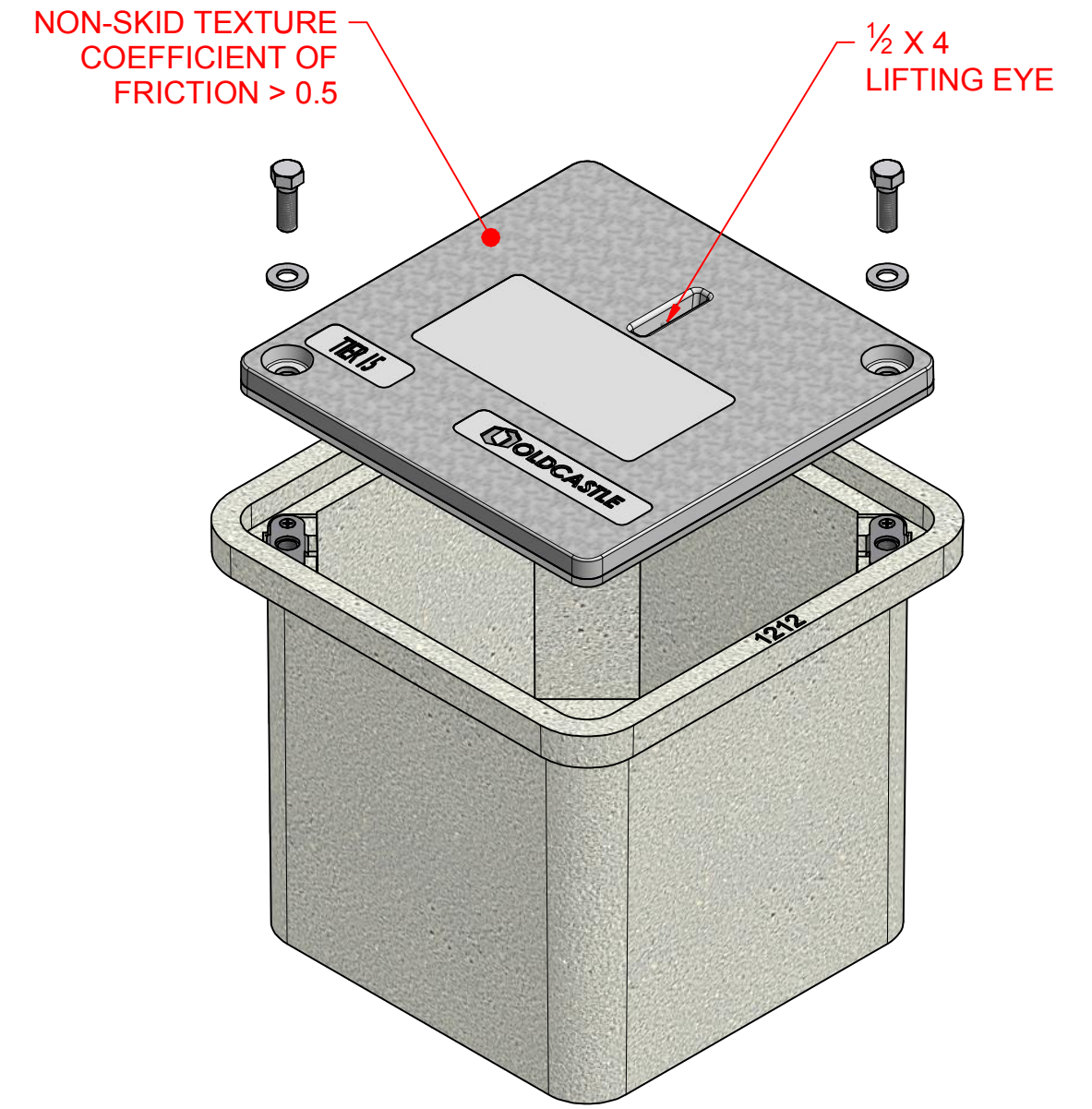
THIS UNIT (BODY & LID) MEETS OR EXCEEDS THE REQUIREMENTS OF ANSI/SCTE 77-2010, TIER-15.



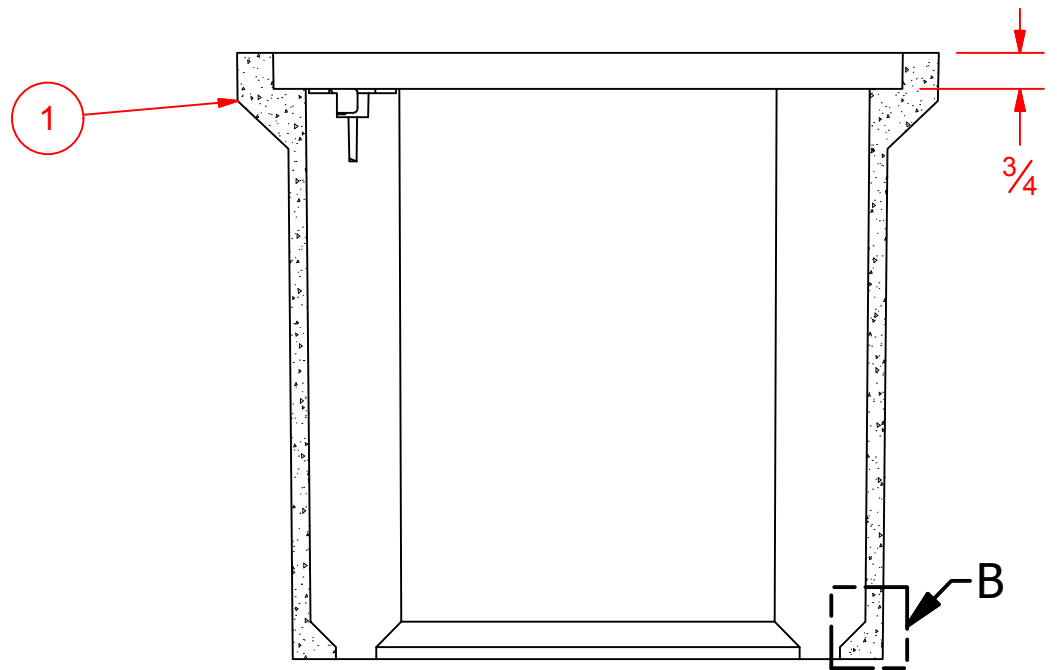
BODY - TOP VIEW



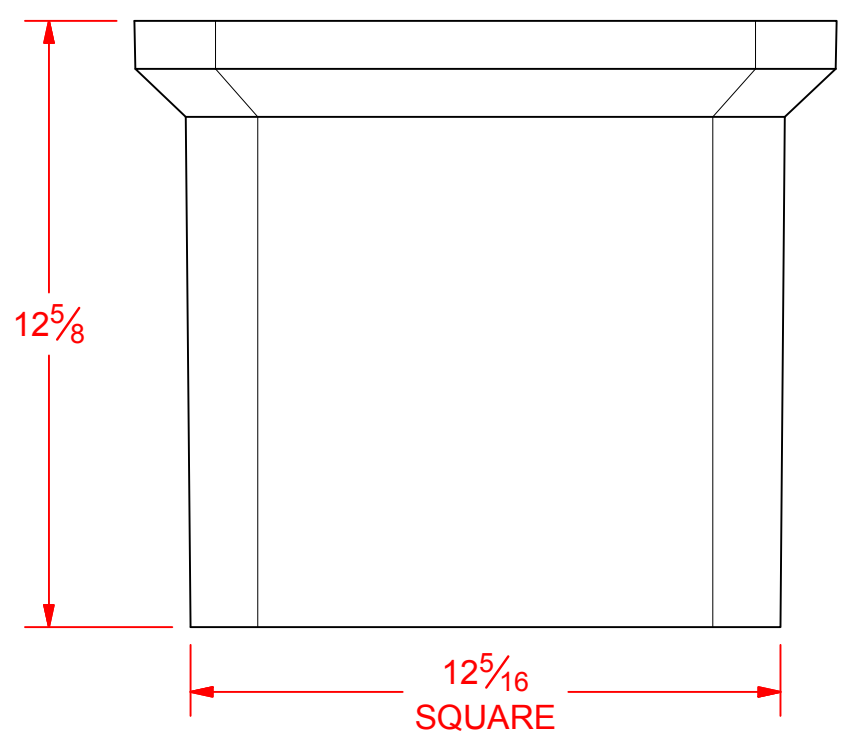
LID - TOP VIEW



DETAIL B



SECTION A-A WITH LID AND HARDWARE SHOWN



END VIEW

NOTE: 12121500 - NO MARK UNIT SHOWN. OTHER MARKINGS MAY BE AVAILABLE UPON REQUEST.

MARKING OPTIONS		
UNIT SKU	DESCRIPTION	LID SKU
12121500	NO MARK	31100121
12121503	ELECTRIC	31100221
12121506	GROUND	31100721
12121509	STREET LIGHTING	31101121
12121512	TRAFFIC SIGNAL	31101321
12121515	COMMUNICATION	31101621
12121518	TRAFFIC	31101221
12121599	SPECIAL	31109921

# CUSTOMER FORMAT DRAWING

TOTAL EST. UNIT WEIGHT: 47 LBS  
EST. LID WEIGHT: 11 LBS | EST. BODY WEIGHT: 36 LBS

ITEM	QTY	SKU	DESCRIPTION
4	2	HBT-H58	BOLT, HEXHEAD, SST - 1/2-13 X 1-1/2 WAX FILM
3	2	HWH-F11	WASHER, FLAT SST .531 ID x 1.062 OD .095 THICK
2	1	**VARIES**	LID SYN 1212-T T15 - ** MARKING VARIES SEE TABLE FOR OPTIONS*
1	1	12122001	BODY, PC1212-12 - 1/2-13 SST FLOATING NUTS

\*\* PARTS LIST \*\*

UNLESS OTHERWISE SPECIFIED ALL DIMENSIONS ARE IN INCHES  
TOLERANCE:  
.XXX = ±.005  
.XX = ±.010  
.X = ±.030  
FRACTION = ±1/8  
ANGLE = ±1°

THIS DOCUMENT IS THE PROPERTY OF OLDCASTLE ENCLOSURE SOLUTIONS. IT IS CONFIDENTIAL, SUBMITTED FOR REFERENCE PURPOSES ONLY, AND SHALL NOT BE USED IN ANY WAY INJURIOUS TO THE INTERESTS OF, OR WITHOUT THE WRITTEN PERMISSION OF OLDCASTLE ENCLOSURE SOLUTIONS.  
COPYRIGHT © 2014 Oldcastle Enclosure Solutions  
All Rights Reserved

**Oldcastle** Enclosure Solutions  
801 S PINE ST  
MADERA, CA 93637  
1-800-486-7070

DRAWN	L GOMES	7/9/2014
CHECKED	T DANG	7/9/2014
QA		
MFG		
APPROVED		

TITLE	UNIT, 1212-12 TIER-15 - MULTI SKU		
SIZE	C	DWG NO	12121500
SCALE			
			SHEET 1 OF 1