

# PCA11812-00150

## PCX POLYMER CONCRETE ASSEMBLY

11" x 18" x 12"  
(For actual dimensions see drawing)

Polymer Concrete Assembly, Straight Sides, No Floor, WUC 3.6, ANSI/SCTE 77-T15/20K, 3/8" Hex Bolts, Standard Nameplate (STREET LIGHTING) Installed

### LOAD RATINGS

Incidental Traffic - Parking Lot, Sidewalk  
Conforms to:

- WUC 3.6
- ASTM C 857
- ANSI/SCTE 77

### FEATURES:

- Drop-In nameplate
- Shipped assembled
- Skid resistant cover
- Stainless steel bolts
- Cast-in floating nut box
- Integral drain holes

**Additional product information  
continued on the reverse**

**newbasis**  
Composites for Infrastructure

2626 Kansas Avenue  
Riverside, California 92507

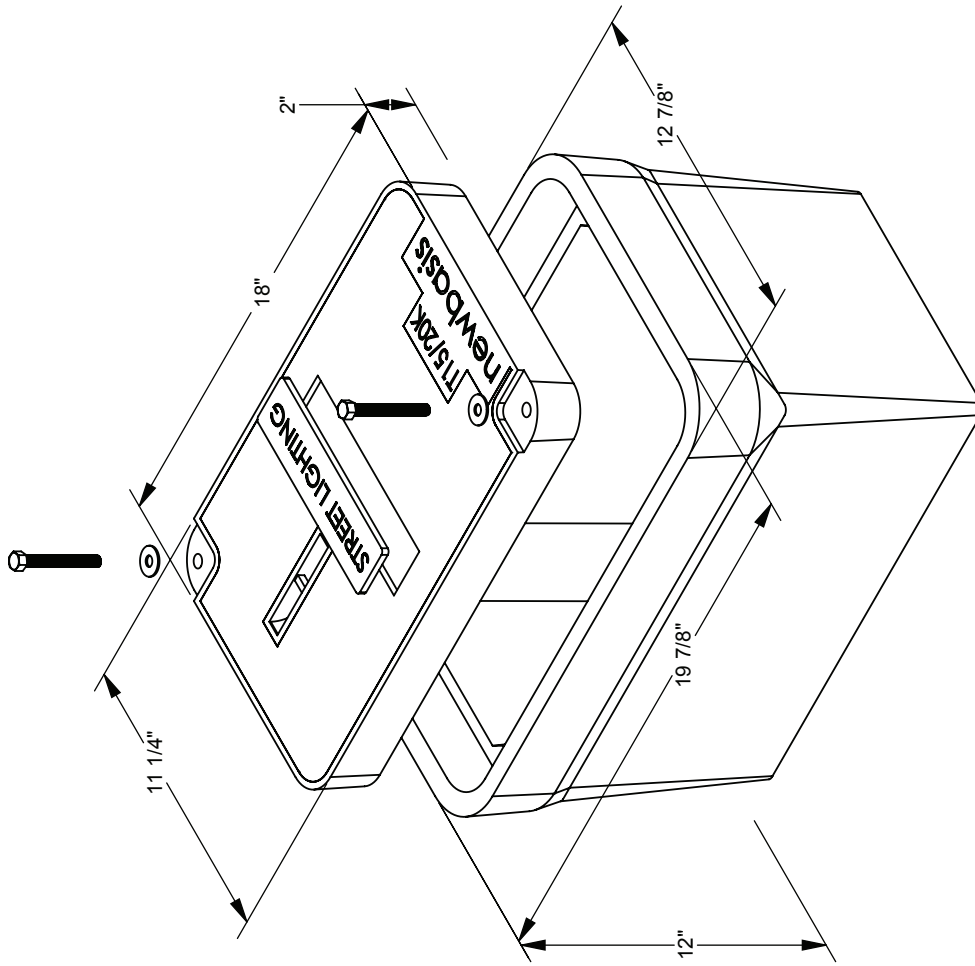
951.787.0600

951.787.0632 (fax)

info@newbasis.com

newbasis.com

**PCX**<sup>™</sup>  
POLYMER CONCRETE  
The Next Generation



Inside Dimensions		
Length	Width	Depth
17 1/16"	10 1/8"	10"
15"	8"	

Rev: C.0

# PCA111812-00150

## PCX POLYMER CONCRETE ASSEMBLY



Polymer Concrete Assembly, Straight Sides, No Floor, WUC 3.6, ANSI/SCTE 77-  
"T15/20K," 3/8" Hex Bolts, Standard Nameplate (STREET LIGHTING) Installed

**11" X 18" X 12"** For actual dimensions, see drawing on front side.

### AVAILABLE OPTIONS

- Tier 22 Load Rating
- Penta Bolts
- Telephone EMS
- Power EMS
- Custom Nameplate Installed
- Custom Nameplate Shipped Separately
- Standard Nameplate Installed
- Standard Nameplate Shipped Separately

### NAMEPLATES

One standard nameplate included with each assembly, installed at the factory or easily installed in the field. Custom nameplates are available. Contact customer service.

### Standard Nameplates

- Electric
- Telephone
- Fiber Optic
- Water
- Street Lighting
- Broadband
- Traffic
- CATV
- Traffic Signal
- Communications

- Indicates a selected option

### MATERIAL PROPERTIES AND ATTRIBUTES

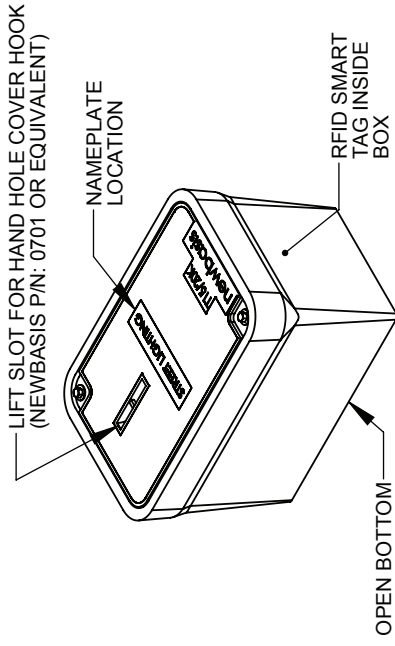
**Compressive Strength**  
Polymer Concrete - 12000 PSI  
Per ASTM D695

**Flexural Strength**  
Polymer Concrete - 6000 PSI  
Per ASTM D790

**Coefficient of Friction (Dry)**  
**1.085**  
Per ASTM C1028

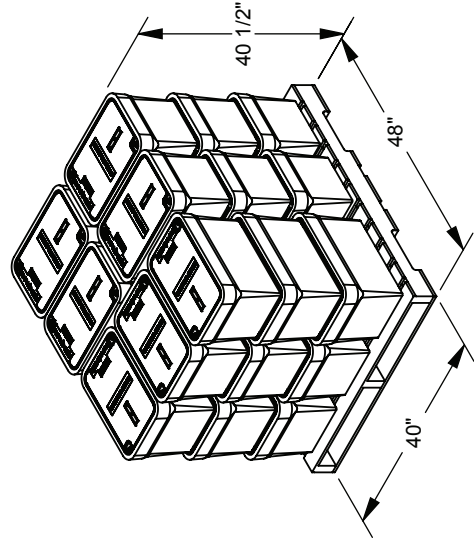
- Polymer Concrete
- Advanced composite: Very high strength to weight ratio
  - Non-metallic
  - Non-conductive
  - UV Resistant
  - High impact resistant
  - Impervious to chemicals and moisture

Materials tested in accordance with ASTM D-543 and ASTM D-570



### PACKAGING (Steel Banding, Edge Protection)

PALLET QUANTITY: 21



### WEIGHTS AND SHIPPING

COVER WEIGHT: 19 lbs.

BOX WEIGHT: 26 lbs.

ASSEMBLY WEIGHT: 45 lbs.

LOADED PALLET WEIGHT: 1000 lbs.

Standard shipping includes van delivery of pallet quantities to the lower 48 states. Partial pallet quantities and flat bed shipping available at an additional cost.

Rev: C.0

# PCB111812-00000

## POLYMER CONCRETE BOX

11" X 18" X 12"

(FOR ACTUAL DIMENSIONS, SEE DRAWING)

Polymer Concrete Box, Straight,  
WUC 3.6, ANSI/SC TE 77-Tier 15

### AVAILABLE OPTIONS

- Penta head bolt kit
- Hex head bolt kit

### MATERIAL PROPERTIES AND ATTRIBUTES

#### Compressive Strength

Polymer Concrete - 87 MPa  
FRP - 134 MPa  
Per ASTM D695

#### Flexural Strength

Polymer Concrete - 20 MPa  
FRP - 116 MPa  
(Flex Modulus) Per ASTM D790

Box Weight: 47 lbs.

**newbasis**  
Composites for Infrastructure

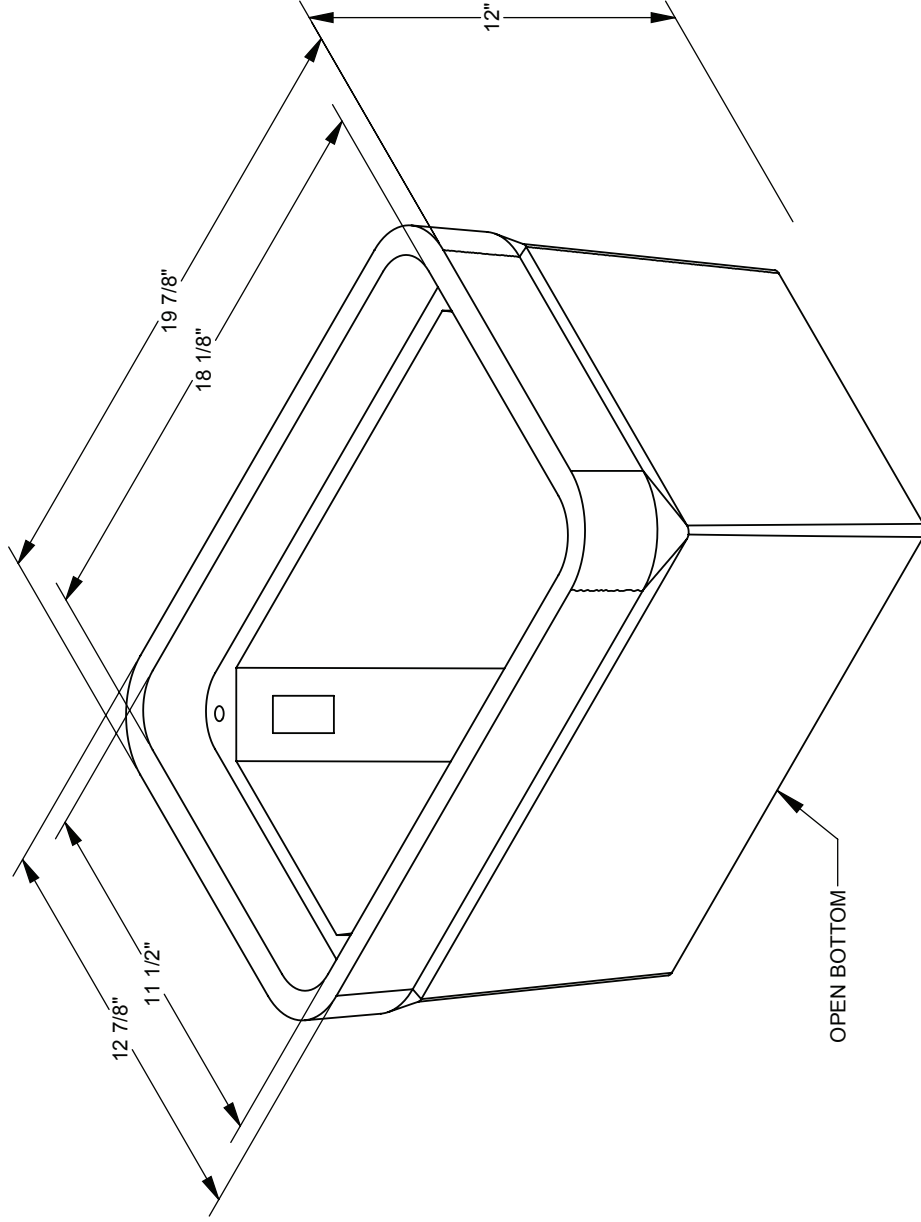
2626 Kansas Avenue  
Riverside, California 92507

951.787.0600

951.787.0632 (fax)

info@newbasis.com

newbasis.com



REV: A.1

# PCC1118P1-90020

## POLYMER CONCRETE COVER

11" X 18" X 2"  
(FOR ACTUAL DIMENSIONS, SEE DRAWING)

Polymer Concrete Cover, WUC 3.6, ANSI/SCTE 77-"T15/20K," Standard Nameplate (STREET LIGHTING) Installed

### AVAILABLE OPTIONS

- Penta head bolt kit
- Hex head bolt kit
- Standard nameplate
- Custom nameplate
- Power EMS
- Telephone EMS

### MATERIAL PROPERTIES AND ATTRIBUTES

**Compressive Strength**  
Polymer Concrete - 87 MPa  
Per ASTM D695

**Flexural Strength**  
Polymer Concrete - 20 MPa  
(Flex Modulus) Per ASTM D790

**Coefficient of Friction (Dry)**  
1.085 Per ASTM C-1028

Cover Weight: 32 lbs.

**newbasis**  
Composites for Infrastructure

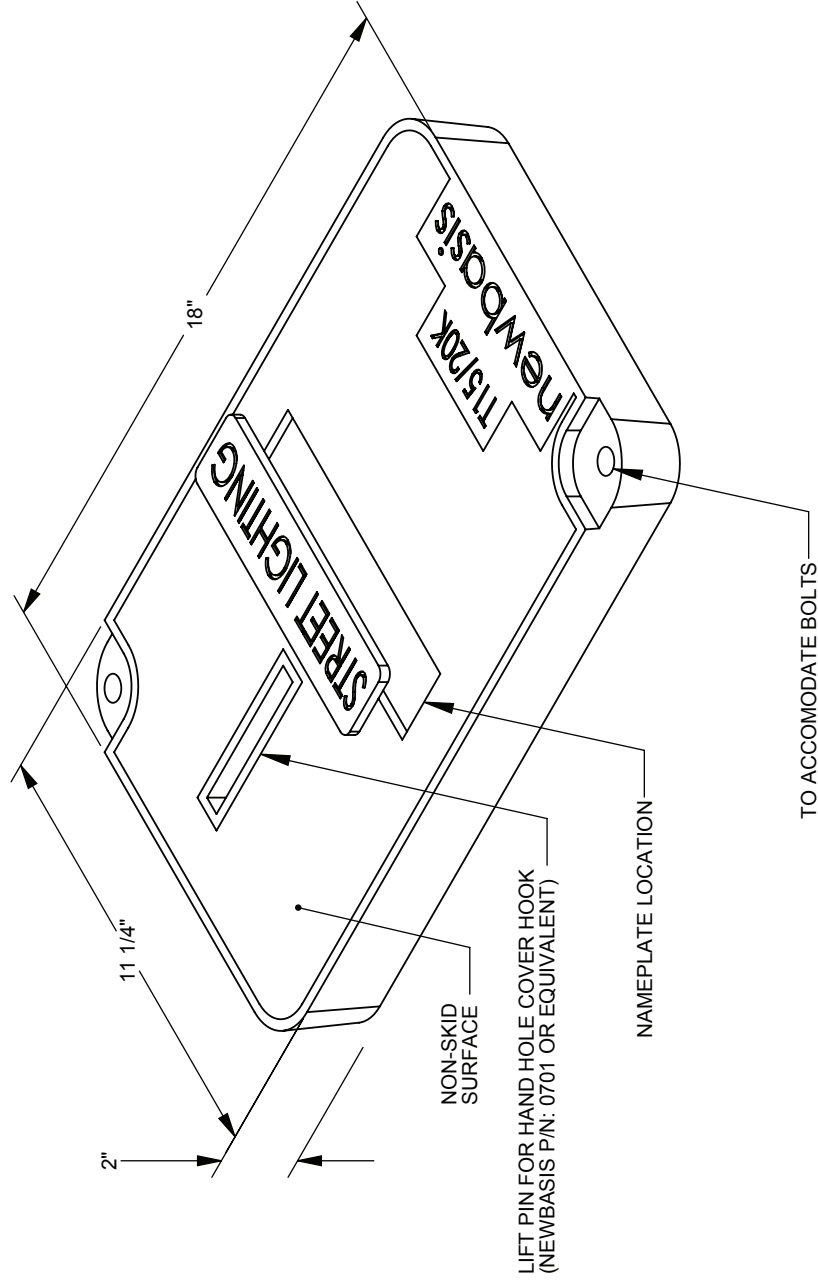
2626 Kansas Avenue  
Riverside, California 92507

951.787.0600

951.787.0632 (fax)

info@newbasis.com

newbasis.com



REV: A.0