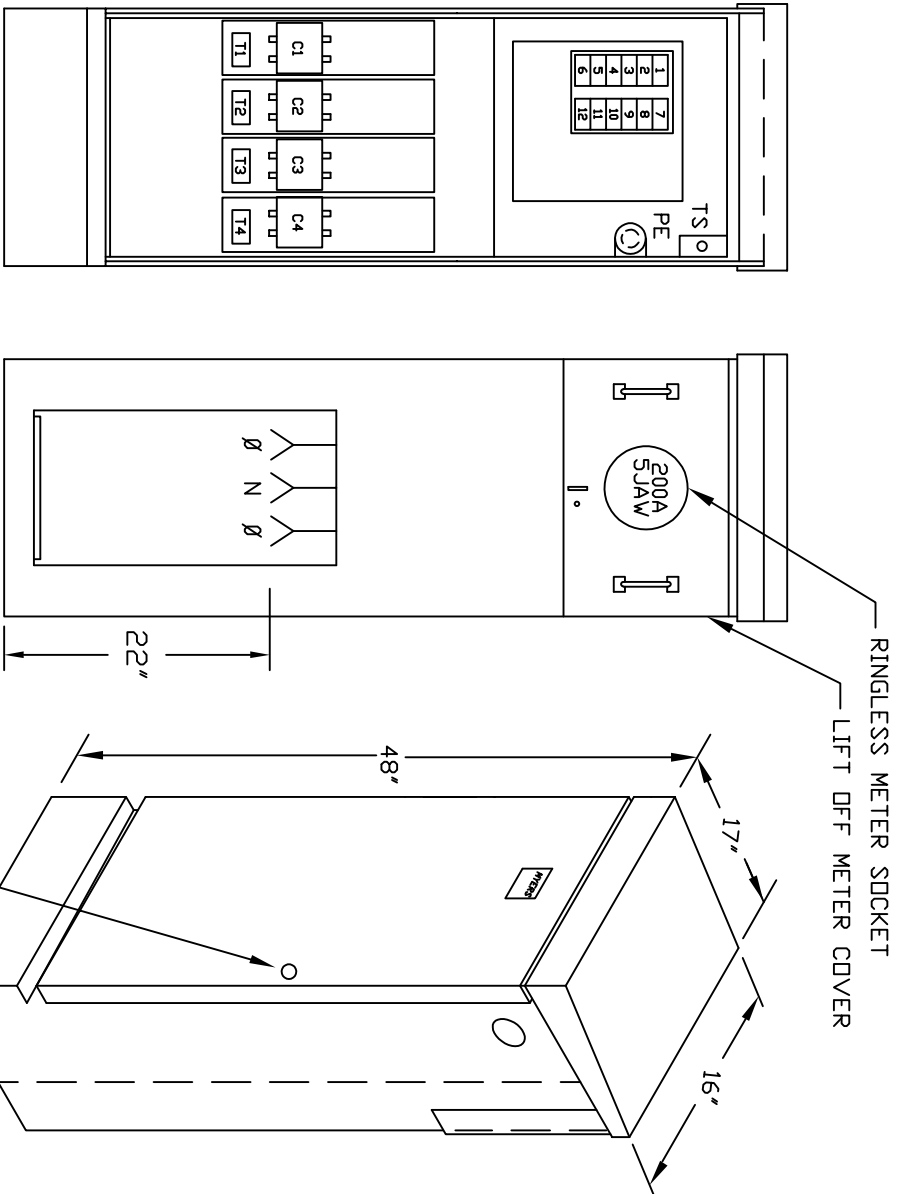


DPK 4 CIRCUIT



INTERIOR VIEW
(LESS COVERS)

REAR VIEW
(LANDING DETAIL, COVER REMOVED)

FDR BASE DETAIL SEE MYERS CATALOG

MYERS POWER PRODUCTS, INC. 909-923-1800
2950 E. PHILADELPHIA ST. ONTARIO, CA. 91761-8545

MODEL MEUG16AR-M100-DPK
NUMBER S16004RR SALES ORDER SM109590
120/240 V 1 Ø 3 W 100 AMPS

ENCLOSURE TYPE 3R RAINPROOF

SEE DRAWING S16004RR FDR WIRING DIAGRAM

UTILITY KOP&L ELECTRICAL MIDWEST

DISTRIBUTOR CONTRACTOR

FINISH COLOR LT. GREEN WHITE DK. GREEN
 OTHER NATURAL ALUMINUM

STATE INSPECTION REQUIRED YES NO

NAMEPLATES BREAKER I.D.
PHENDLIC CONTRACT NO. _____

LOCATION _____
 POWER POLE NO. _____

PHOTOCELL REQUIRED YES NO PHOTOCELL PROVISIONS YES NO

MYERS METERED UNDERGROUND SERVICE PEDESTAL
-STAINLESS STEEL HARDWARE
NEMA 3R CONSTRUCTION - WITH NATURAL FINISH.
125 ALUMINUM# 5052. ALL FACTORY WIRING CODE GAUGE COPPER CONDUCTORS WITH 600V INSULATION
SERVICE TERMINATIONS NO. 6 AWG TD 250 KCMIL CU/AL

MATERIAL LIST

NO	DESCRIPTION	QTY	AMP	POLE	KAIC	MYERS P/N
	METER SOCKET W/HDRN BYPASS	1	200	5JAW		Y11006
1-3	SERV. DISC.	1	100	2	10K	BR2100 G21030
	SUB-BREAKERS	4	30	2	10K	BR230 G21037
	SUB-BREAKER	1	15	1	10K	BR115 G21031
	PHOTOELECTRIC	1	15	SPST	120V	RIPLY 056003
TS	TEST SWITCH	1	15	DPST	120V	SELECTA#SS206 051073
C	CONTRACTOR, EH	4	65	3	10K	ABB AF65-30-00-13
T	POWER BLOCK	4	175	2	10K	MAR# 1422572 052017
DATE: 2/11/2021		BY: SCM	S/DB#	FS16004RR		

CIRCUIT DIRECTORY

NO.	DESCRIPTION	AMP	POLE
1-2	SERV. DISC.	100	2
3-4	BREAKER 1	30	2
5-6	BREAKER 2	30	2
7-8	BREAKER 3	30	2
9-10	BREAKER 4	30	2
11	CONTROL	15	1

MYERS

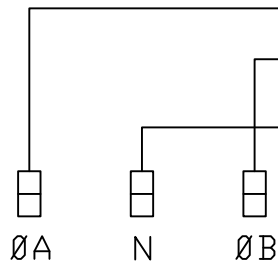
POWER PRODUCTS, INC 909-923-1800

2950 E. PHILADELPHIA ST. ONTARIO CA 91761-8545

MEUG16AR-M100-0PK
 120/240 VAC 1 PHASE 3 WIRE 100 AMPS MAXIMUM
 SEE MAIN BREAKER HANDLE

METER SOCKET 100 AMPS CONTINUOUS.

UTILITY TERMINATION SECTION



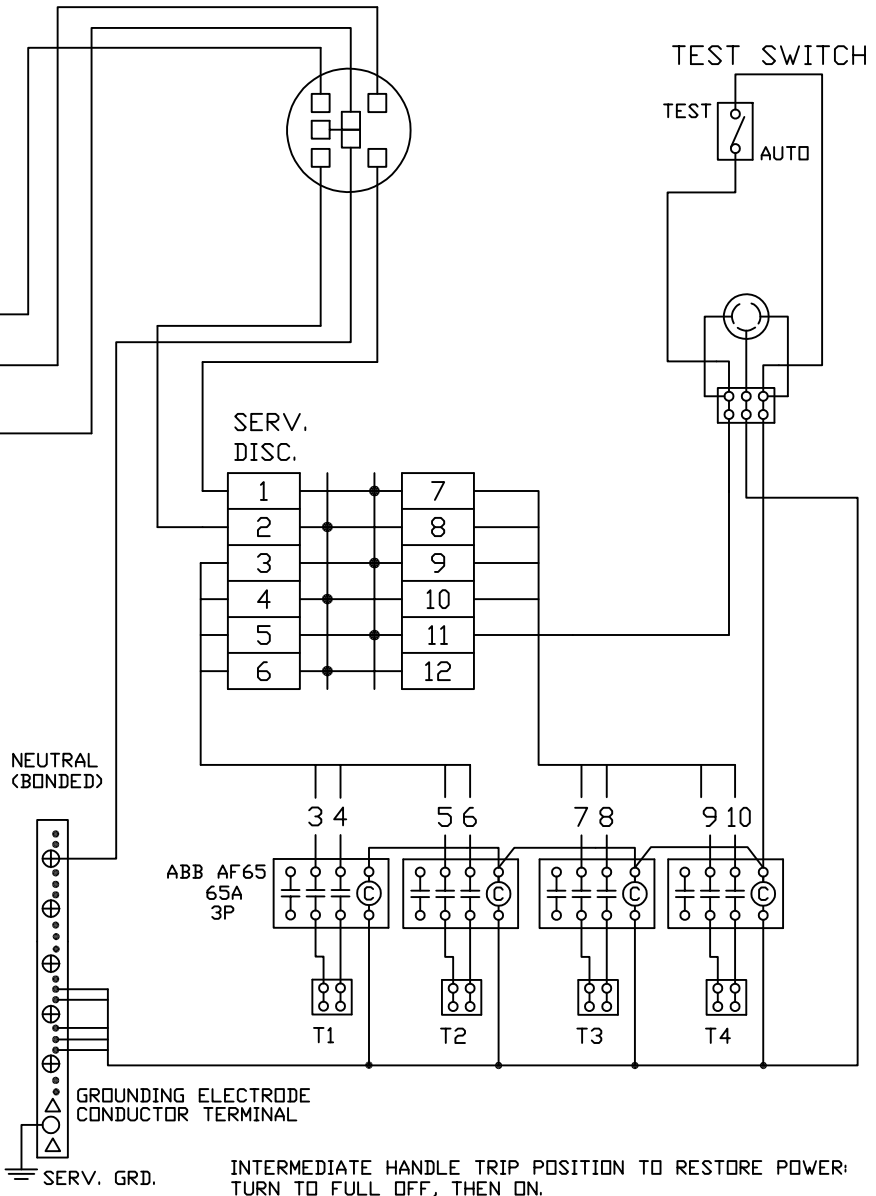
WIRE CONNECTORS: USE AL/CU CONDUCTORS

EQUIPMENT GROUND TERMINATION: USE MORE THAN ONE CONDUCTOR PER OPENING FOR EQUIPMENT GRD. ONLY.

SYMBOL	RANGE	TORQUE: IN/LBS.
⊠	#6-250MCM	250
⊕	#14-10	32
⊕	# 8	36
⊕	# 6-4	41
⊕	# 3-1/0	45
⊕	#14-10	18
⊕	# 8	23
⊕	# 6	32

SHIPPING TENDS TO LOOSEN ELECTRICAL CONNECTIONS; CHECK TIGHTNESS BEFORE ENERGIZING!

SIZE	TORQUE (IN/LBS.)
# 10-32	10-15
#1/4-20	50-60
#5/16-18	60-70



516004RR

BONDED NEUTRAL, REMOVE BONDING MEANS FOR TEST PURPOSES ONLY
 CIRCUIT BREAKERS 100 AMPS OR LESS: WESTINGHOUSE (FORMERLY BRYANT) BR, BRH, BQ, BD, GFCB, GFCBH, GFCBH, CROUSE-HINDS MP, MH, MP-GF, ITE QP, QT, QPH, GE THQL, THQL-GF, WESTINGHOUSE HQP, QPH, QP-GF.

SHORT CIRCUIT RATING: RMS SYMMETRICAL AMPS 10,000 AT 120/240 VAC. THE SHORT CIRCUIT RATING IS LIMITED TO THE LOWEST INTERRUPTING CAPACITY OF ANY DEVICE INSTALLED THEREIN. REPLACEMENT BREAKERS MUST BE SAME TYPE AND RATING. FIELD INSTALLED CONDUCTORS SHOULD BE SIZED ON 60°C AMPACITY FOR 14-1 AWG. AND 75°C AMPACITY OVER 1 AWG PER TABLE 310-16 OF NEC.