

Catalog Number:

CP3B91115PAOOP4

STREET LIGHT CONTROL
CENTER – FOUR CIRCUIT

120/240 VAC, 1-phase, 3-wire; 100 Amps Maximum, (see Main circuit breaker rating)

Rainproof - Type 3R, Aluminum Enclosure, unpainted BARE

Enclosed Industrial Control - Suitable ONLY for Use as Service Equipment

The short circuit current rating is 10,000 RMS symmetrical amperes maximum at 240volts maximum, in accordance with the table below, but is limited to the lowest short circuit rating of any installed circuit breaker. Watthour meter is not included in the short circuit rating. Replacement circuit breakers must be of the same type and rating.

METERED CIRCUIT DIRECTORY

No.	Amp.	Poles	Circuit Description	No.	Amp.	Poles	Circuit Description
1	100	2	MAIN	2	30	2	LTG
3				4			
5	15	1		6			
7			CONTROL	8	30	2	LTG
9				10			
11				12			
13				14	30	2	LTG
15				16			

180 DEGREE DOOR

90 DEGREE DEAD FRONT DOOR

CORBIN SLAM LATCH #2 LOCK ON CUSTOMER DOOR (CCL SECURITY 15481RS)

TAMPER PROOF SCREW ON UTILITY SERVICE ENTRANCE (WRENCH PROVIDED)

NO PE SHIELD ON PE WINDOW

TOOL LESS SCREWS ON METER COVER

4-SIDED SEAL ON CUSTOMER DOOR

PHOTO CELL SUPPLIED BY OTHERS

AIC RATING	MAIN	BRANCHES
10	MILBANK TYPE MQP; SIEMENS TYPE QP; CUTLER HAMMER TYPE HQP, BR; GE TYPE THQL	MILBANK TYPE: MQP; SIEMENS TYPE: QP (1-POLE 70A MAX), QT, QPF; CUTLER-HAMMER TYPE: BR, QFCB, HQP, QPGF; GE TYPE TQL, THQL, THQL-GF

Circuit breaker handle trip position is between "ON" and "OFF". To reset breaker, move handle to the full "OFF" position, then to full "ON".

Terminal Information, Use AL/CU conductors

FIELD WIRED CONNECTORS				BUS CONNECTIONS			For Equipment Ground ONLY, multiple conductors in a single opening are permissible as indicated below			
Socket Size	Torque Lb.-In.	SLOTTED HEAD SCREWS		THREADFORMING SCREWS			AWG Wire Size	Small Hole	Large Hole	
		AWG Wire Size	Torque, Lb.-In.		SCREW	MAT'L				Torque, Lb.-In.
5/16"	275	#14-10	20	35	10-24	AL	30	#14-10	1-2	1-2
3/8"	375	#8	25	40	10-24	CU	50	#10	1	3
1/2"	500	#6	35	45	1/4-20	AL	50	#8 - 6	1	1
9/16"	600	#4	-	45	1/4-20	CU	72	#4 - 1/0	1	1
		#3-1/0	-	50						

Shipping may loosen electrical connections. CHECK TIGHTNESS BEFORE ENERGIZING.

BONDED NEUTRAL – Remove neutral load conductors for test purposes only! FIELD INSTALLED conductors shall be 60°C, 75°C, or 90°C, sized to 60°C rating for 110 amps or less; and 75°C or 90°C for 125 amps and above.

REV 0	10/15/19	043759	JB
-------	----------	--------	----

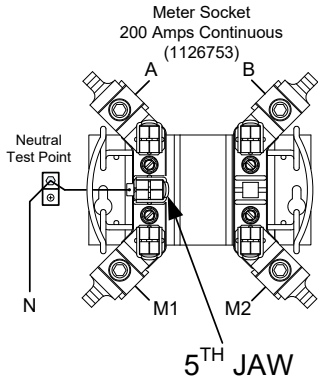


Catalog Number:
CP3B91115PAOOP4

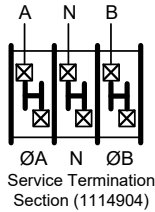
STREET LIGHT CONTROL
CENTER – FOUR CIRCUIT

120/240 VAC, 1-phase, 3-wire; 100 Amps Maximum, (see Main circuit breaker rating)
Rainproof - Type 3R, Aluminum Enclosure, unpainted BARE
Enclosed Industrial Control - Suitable ONLY for Use as Service Equipment

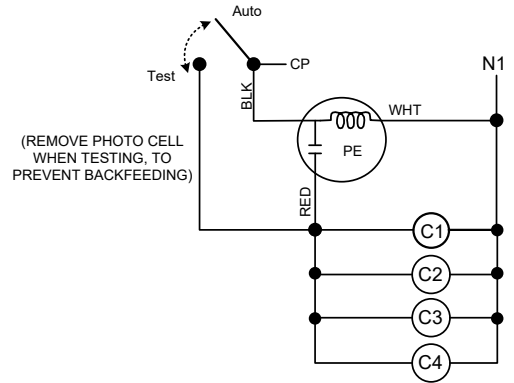
D/F



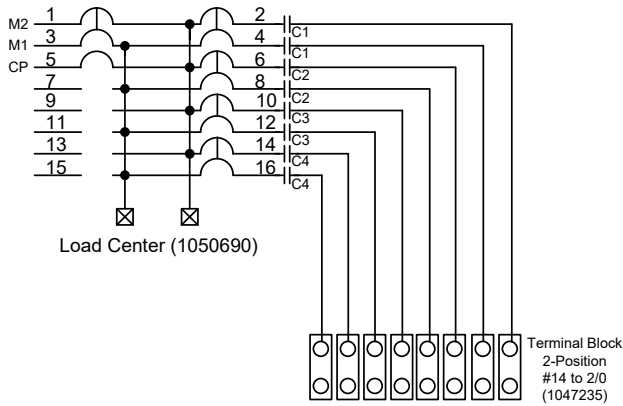
CAUTION:
Horn By-pass.
Circuit may be
live with meter
removed. Meter
is bypassed
when jumpers
are installed.



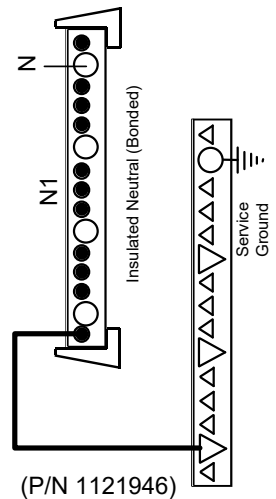
120V Lighting Control
NO PE SHIELD



C1-C4: Contactor, 65-amp, 3-pole, Electrically held (120V coil), GE EFFICOR EF65A300B ()



MOUNTED ON BACK BARRIER

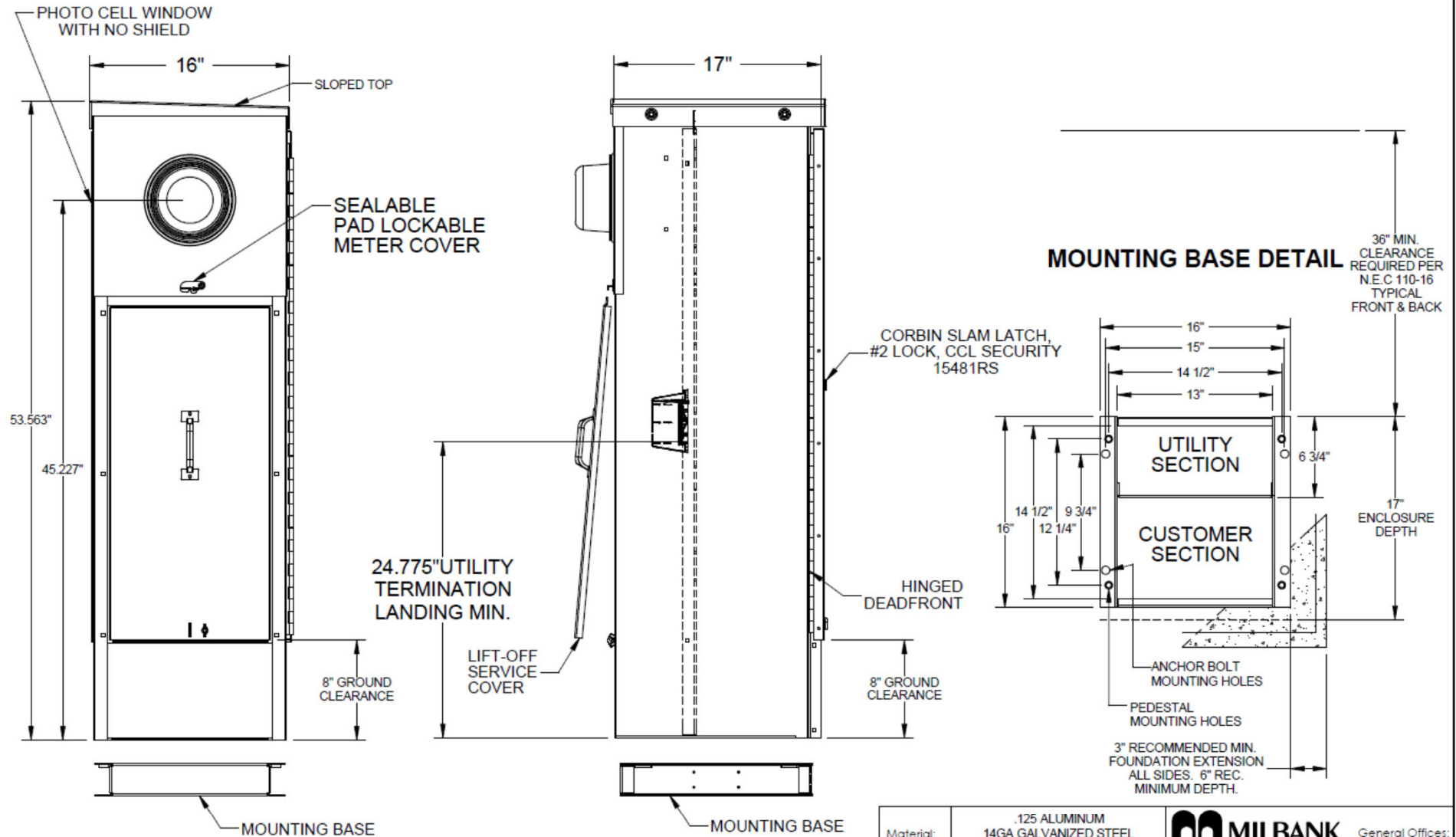


**BONDED NEUTRAL, REMOVE NEUTRAL LOAD
CONDUCTORS FOR TEST PURPOSES ONLY**



CP3B91115PAOOP4

16" COMMERCIAL PEDESTAL CITY OF OVERLAND PARK

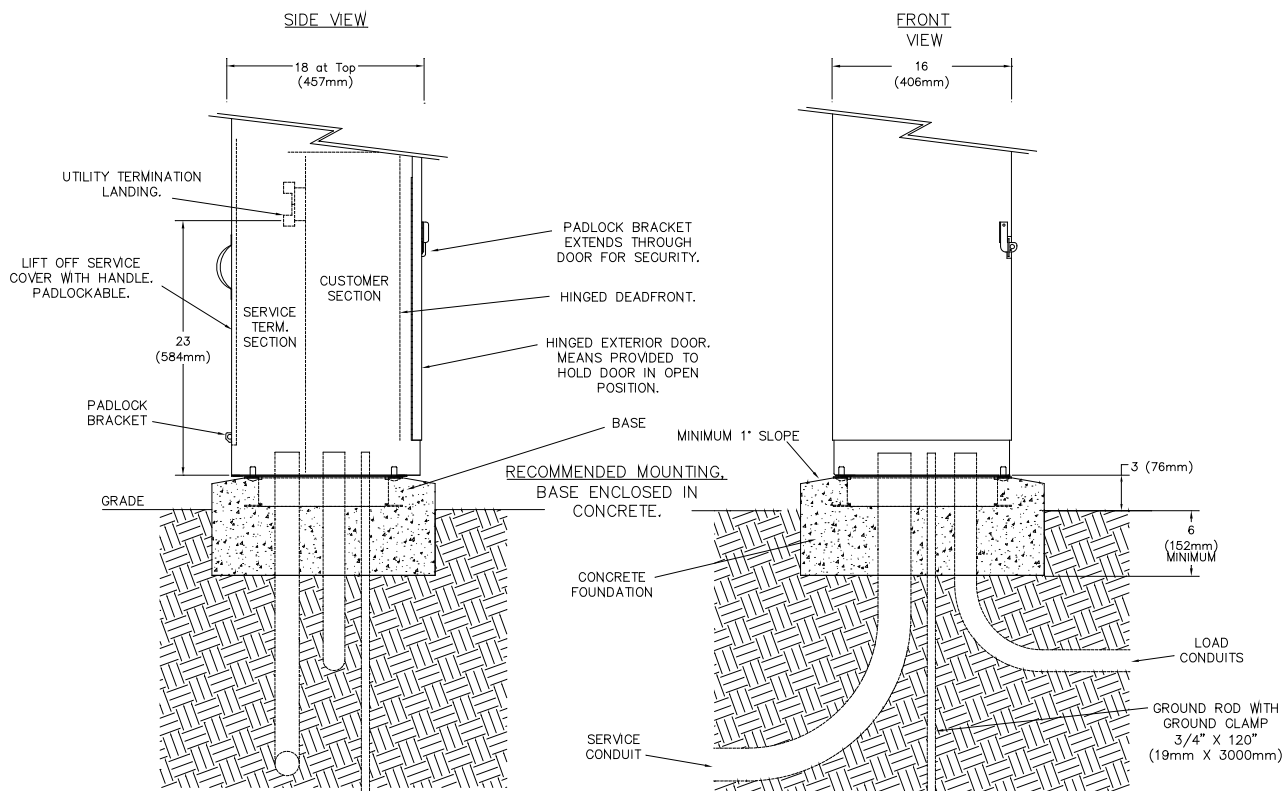


Material:	.125 ALUMINUM 14GA GALVANIZED STEEL 14GA STAINLESS STEEL	<p>General Offices: Kansas City, MO</p>
Finish:		
<p>Tolerances:</p> <p>Unless Specified Otherwise</p> <p>XX ±.1</p> <p>XXX ±.03</p> <p>XXX ±.015</p> <p>X' ±2"</p>		Title: 16" WIDE X 48" TALL P-Size NEMA 3R
<p>Third Angle</p> <p>Projection</p>		Catalog No.:
Scale: NTS		Ref:
Drawn By:	Checked By:	Drawing No.:
Approved By:	Date: 1-18-11	P-Size OP Outline
		Sheet 1 of 2

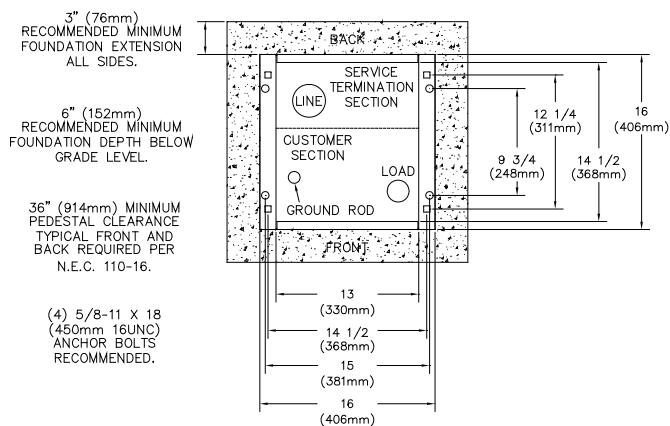
**	01-18-11	PROTO TYPE	TB				
A	02-20-12	FIRST RELEASE	TB				

CP3B91115PAOOP4

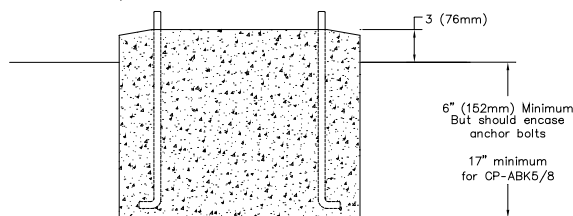
TYPICAL CONSTRUCTION & INSTALLATION DETAILS



MOUNTING BASE DETAIL (TOP VIEW)



OPTIONAL MOUNTING NO BASE, MOUNT DIRECTLY ON FOUNDATION.



○ PEDESTAL MOUNTING HOLES
 □ ANCHOR BOLT MOUNTING HOLES

DRAWING APPROVAL REQUIRED

THE FOLLOWING DRAWING IS SUBMITTED FOR YOUR APPROVAL FOR INTERPRETIVE ACCURACY. BEFORE WE MAY PROCEED WITH MANUFACTURING THIS PRODUCT WE REQUEST THAT THE APPROPRIATE PERSONS REVIEW THIS DRAWING, SIGN & DATE THE DRAWING & RETURN THIS FORM AS APPROVAL OF THIS PRODUCT.

As of 2/25/20 the lead time for this unit is 4-5 weeks after receipt of this drawing with approval signature. Customer requested non-standard components can exceed 6 weeks.

Date 2/25/20
Agent MEGLIO & ASSOCIATES
Distributor MEGLIO ESI GROUP
Job OVERLAND PARK KS
PO#
Quote # SQ285137
Catalog # CP3B91115PAOOP4

Comments: _____

Drawing is approved as is

Requires changes

Drawing not approved

Company Name City of Overland Park

Signature Bruce L. Wacker Date 3/3/20

PLEASE FAX OR EMAIL APPROVAL TO YOUR LOCAL MILBANK SALES REP.