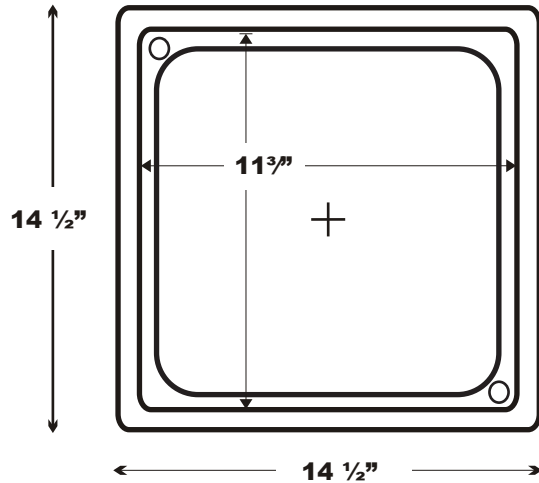
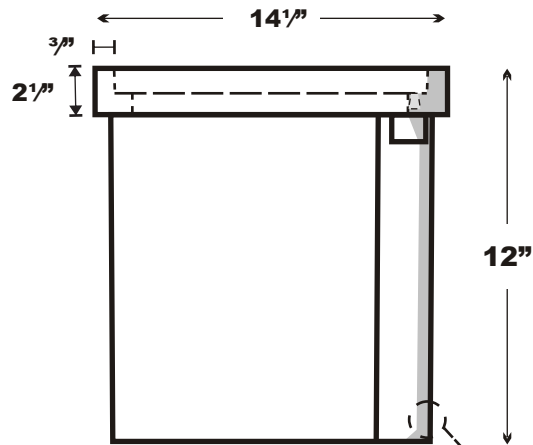
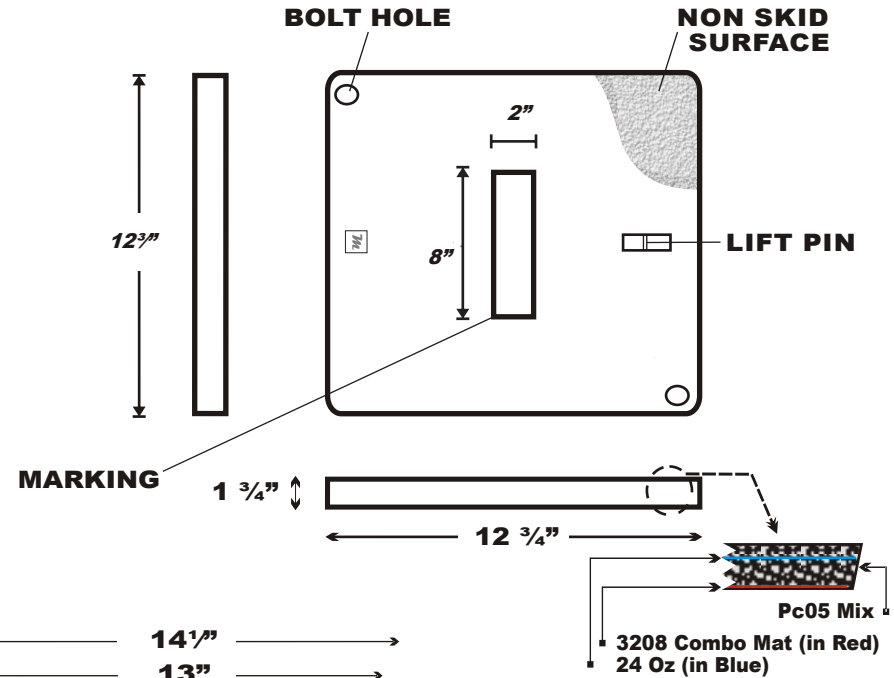


1212/12 Polymer Concrete / Tier 15

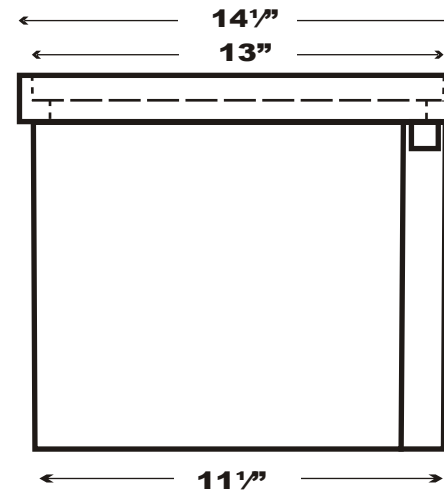
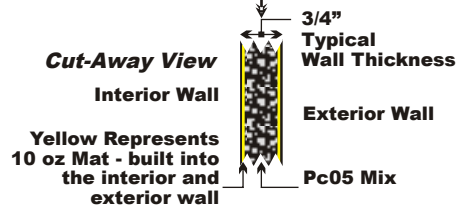
TOP VIEW



COVER VIEW



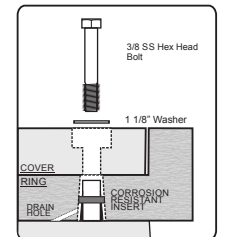
END VIEW



SIDE VIEW

Cut-Away View

Hardware Detail



Part No. 1212/12 Polymer Concrete		
Body: Polymer Concrete		Cover: Polymer Concrete
Weight 55lbs.	Tolerance +/- 1/8"	ANSI/SCTE 77 2013
October 21, 2014	File 1212/12 PC	Tier 15 Rated
This product design is the sole property of Martin Enterprises. This design is NOT to be altered unless written permission is granted by Martin Enterprises.		



Martin Enterprises
"Your Underground Enclosure Experts"
ISO 9001:2008 Registered Firm
QuEST Forum / TL9000 Registered









