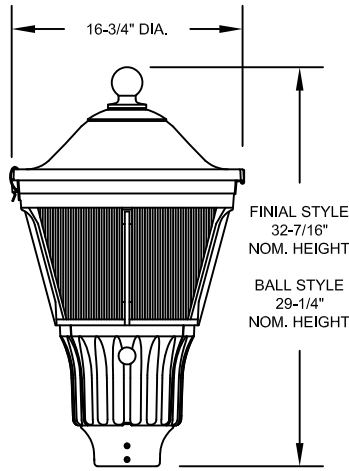
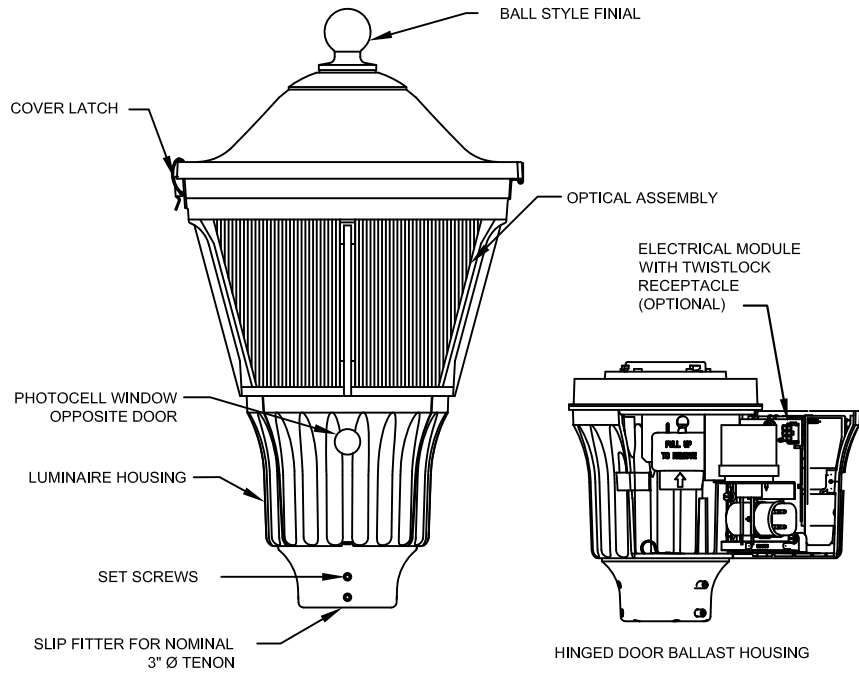


Maximum weight - 47 lbs
 Maximum effective projected area - 1.38 sq. ft.



FINIAL STYLE
 32-7/16"
 NOM. HEIGHT
 BALL STYLE
 29-1/4"
 NOM. HEIGHT



Utility Postop® Series
 Luminaire

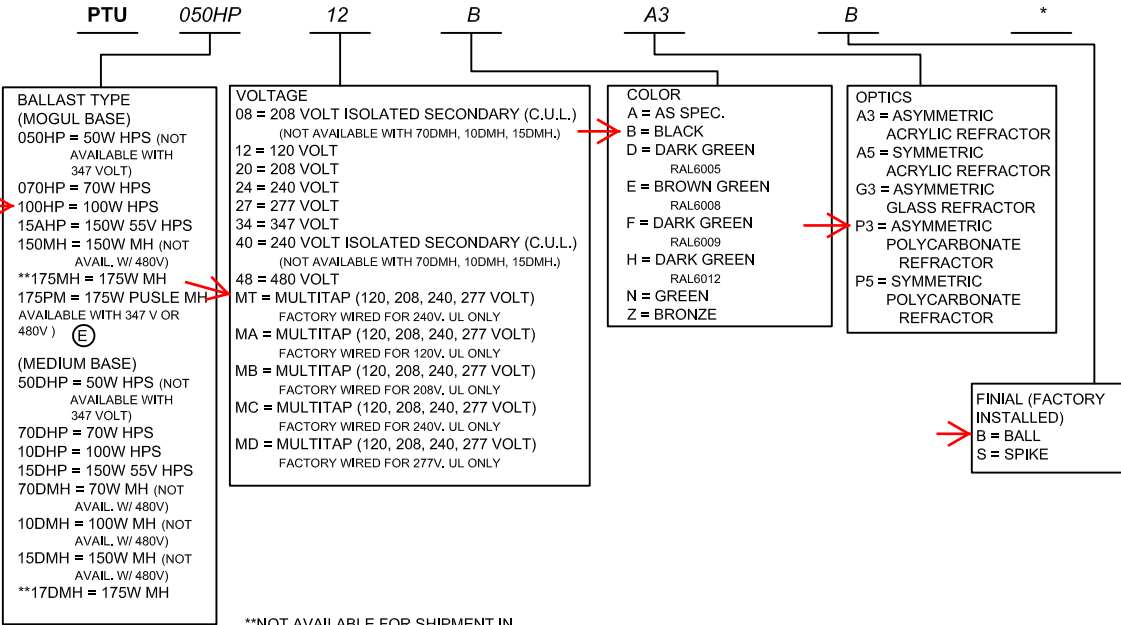
DECORATIVE
 OUTDOOR



©2009 ACUITY BRANDS LIGHTING INC., All Rights Reserved

ORDERING INFORMATION:

PTU 100HP MT B P3 B P



BALLAST TYPE (MOGUL BASE)
 050HP = 50W HPS (NOT AVAILABLE WITH 347 VOLT)
 070HP = 70W HPS
 100HP = 100W HPS
 15AHP = 150W 55V HPS
 150MH = 150W MH (NOT AVAIL. W/ 480V)
 **175MH = 175W MH
 175PM = 175W PULSE MH AVAILABLE WITH 347 V OR 480V (E)
(MEDIUM BASE)
 50DHP = 50W HPS (NOT AVAILABLE WITH 347 VOLT)
 70DHP = 70W HPS
 10DHP = 100W HPS
 15DHP = 150W 55V HPS
 70DMH = 70W MH (NOT AVAIL. W/ 480V)
 10DMH = 100W MH (NOT AVAIL. W/ 480V)
 15DMH = 150W MH (NOT AVAIL. W/ 480V)
 **17DMH = 175W MH

VOLTAGE
 08 = 208 VOLT ISOLATED SECONDARY (C.U.L.) (NOT AVAILABLE WITH 70DMH, 10DMH, 15DMH.)
 12 = 120 VOLT
 20 = 208 VOLT
 24 = 240 VOLT
 27 = 277 VOLT
 34 = 347 VOLT
 40 = 240 VOLT ISOLATED SECONDARY (C.U.L.) (NOT AVAILABLE WITH 70DMH, 10DMH, 15DMH.)
 48 = 480 VOLT
 MT = MULTITAP (120, 208, 240, 277 VOLT) FACTORY WIRED FOR 240V. UL ONLY
 MA = MULTITAP (120, 208, 240, 277 VOLT) FACTORY WIRED FOR 120V. UL ONLY
 MB = MULTITAP (120, 208, 240, 277 VOLT) FACTORY WIRED FOR 208V. UL ONLY
 MC = MULTITAP (120, 208, 240, 277 VOLT) FACTORY WIRED FOR 240V. UL ONLY
 MD = MULTITAP (120, 208, 240, 277 VOLT) FACTORY WIRED FOR 277V. UL ONLY

COLOR
 A = AS SPEC.
 B = BLACK
 D = DARK GREEN RAL6005
 E = BROWN GREEN RAL6008
 F = DARK GREEN RAL6009
 H = DARK GREEN RAL6012
 N = GREEN
 Z = BRONZE

OPTICS
 A3 = ASYMMETRIC ACRYLIC REFRACTOR
 A5 = SYMMETRIC ACRYLIC REFRACTOR
 G3 = ASYMMETRIC GLASS REFRACTOR
 P3 = ASYMMETRIC POLYCARBONATE REFRACTOR
 P5 = SYMMETRIC POLYCARBONATE REFRACTOR

FINIAL (FACTORY INSTALLED)
 B = BALL
 S = SPIKE

**NOT AVAILABLE FOR SHIPMENT IN US AFTER 12/31/08 DUE TO EISA 2007 LEGISLATION.

OPTIONS

- C = IES CUTOFF
- H = NEMA TWISTLOCK PHOTOCONTROL RECEPTACLE ONLY
- P = PROTECTED STARTER FOR HPS UNITS ONLY
- T = NEMA TWISTLOCK PHOTOCONTROL RECEPTACLE AND PROTECTED STARTER FOR HPS UNITS ONLY
- NE = NEMA LABEL
- P27 = DTL TWISTLOCK PHOTOCONTROL 120-277 VOLT
- P48 = DTL TWISTLOCK PHOTOCONTROL 480 VOLT
- PSC = SHORTING CAP
- L1H = 1.5 FEET OF PREWIRED LEADS
- L03 = 3 FEET OF PREWIRED LEADS
- L10 = 10 FEET OF PREWIRED LEADS
- L20 = 20 FEET OF PREWIRED LEADS
- L25 = 25 FEET OF PREWIRED LEADS
- L30 = 30 FEET OF PREWIRED LEADS

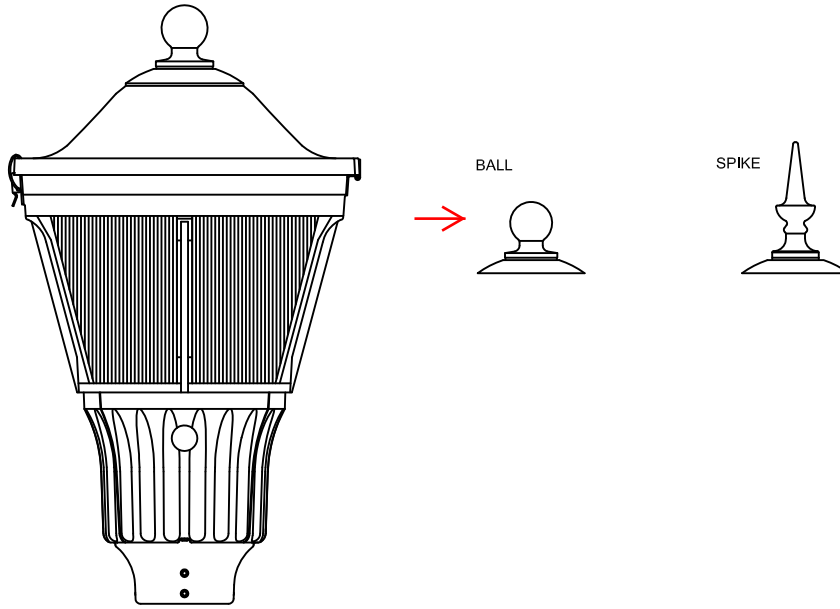
ACCESSORIES

- LAMP = SHIP APPROPRIATE LAMP AS LINE ITEM. SEE LAMP SHEET
- IG-5 = PLUG-IN REPLACEMENT STARTER FOR HPS UNITS
- IG-6 = PLUG-IN REPLACEMENT PROTECTED STARTER FOR HPS UNITS
- IG-7 = PLUG-IN REPLACEMENT STARTER FOR 70/10/15DMH UNITS

THIS DRAWING, WHEN APPROVED, SHALL BECOME THE COMPLETE SPECIFICATION FOR THE MATERIAL TO BE FURNISHED BY HOLOPHANE ON THE ORDER NOTED ABOVE. A UNIT OF SIMILAR DESIGN MAY BE USED IN PLACE OF THE UNIT ORDERED IF THE MANUFACTURER'S PRINT WILL BE SUPPLIED WITH EACH ANCHOR BOLT ORDER TO MATCH THE POLE PROVIDED. THIS PRINT IS THE PROPERTY OF HOLOPHANE AND IS LOANED SUBJECT TO RETURN UPON DEMAND AND UPON EXPRESS WRITTEN REQUEST TO OUR INTERESTS AND ONLY IN CONNECTION WITH MATERIAL FURNISHED BY HOLOPHANE.

| | |
|----------|----------|
| ORDER #: | |
| TYPE: | |
| DRAWN: | JCH |
| DATE: | 12/17/09 |
| DWG #: | US-2583 |

FINIALS



Utility Posttop® Series
Luminaire

DECORATIVE
OUTDOOR



©2009 ACUITY BRANDS LIGHTING INC., All Rights Reserved

Specifications

GENERAL DESCRIPTION

The Utility Post Top is designed for ease of maintenance with the plug-in electrical module common to each of the luminaires in HoloPhane's utility Luminaire Series. A precision optical system maximizes post spacings while maintaining uniform illumination.

OPTICAL SYSTEM

The optical system consists of a precisely molded refractor operating in conjunction with a formed anodized aluminum reflector located in the top cover. Positive pressure from three coiled springs backing the reflector and gaskets at the top and bottom of the refractor create a sealed optical compartment. Refractors designed to provide an I. E. S. Type III distribution are available molded from thermal resistant borosilicate glass and acrylic or polycarbonate plastic. Type V refractors are available in acrylic or polycarbonate only. An IES cutoff option is available.

LUMINAIRE HOUSING

The luminaire housing, cast of aluminum, cradles the refractor and provides an enclosure for the plug-in electrical module. The nickel plated lamp grip socket and the three station incoming line terminal block are pre-wired to a five conductor receptacle for ease in connecting the electrical module. A slipfitter will accept a 3" high by 2-7/8" to 3-1/8" O.D. pole tenon.

LUMINAIRE HOUSING / DOOR

Cast of aluminum, the housing / door is removable without the use of tools and is retained by a nonconductive lanyard. For units with an E.E.I.-N.E.M.A. twist lock photocell receptacle, the door contains an acrylic "window" to allow light to reach the cell.

ELECTRICAL MODULE

The ballast components are mounted on a steel plate that is removable without the use of tools. A matching five conductor plug connects to the receptacle in the luminaire housing to complete the wiring. Where a starting aid is required, it is provided with a separate plug-in connector and can be replaced without the use of tools. For photoelectric operation, the electrical module is provided with an E.E.I.-N.E.M.A. twist lock photocell receptacle.

TOP COVER

The cover, cast of aluminum, is attached to the top ring of the luminaire housing by a painted stainless steel piano hinge and latched by an overcenter positive action stainless steel latch which allows tool-less entry to the lamp chamber for relamping. Both pointed and ball finials are available.

BALLASTS

(Refer to Ballast Data Sheet for specific operation characteristics)

50 watt 120 volt High Pressure Sodium (HPS) ballasts are High Power Factor Reactor type. All other HPS ballast are High Power Factor Autotransformer type.

175 watt Metal Halide (MH) ballasts are Peak Lead Autotransformer type. 70 and 100 watt MH units are available only with High Power Factor High Reactance type ballast.

FINISH

The luminaire is finished with polyester powder paint to insure maximum durability.

UL

The luminaire is UL listed as suitable for wet locations at a maximum of 40 degrees C ambient temperature.

THIS DRAWING, WHEN APPROVED, SHALL BECOME THE COMPLETE SPECIFICATION FOR THE MATERIAL TO BE FURNISHED BY HOLOPHANE ON THE ORDER NOTED ABOVE. A UNIT OF SIMILAR DESIGN MAY BE USED ON THE ORDER IF THE MATERIAL IS IDENTICAL TO THAT SHOWN HEREIN. POLE ORDERS AND ANCHOR BOLT TEMPLATE PRINT WILL BE SUPPLIED WITH EACH ANCHOR BOLT ORDER TO MATCH THE POLE PROVIDED. THIS PRINT IS THE PROPERTY OF HOLOPHANE AND IS LOANED SUBJECT TO RETURN UPON DEMAND AND UPON EXPRESS WRITTEN REQUEST TO OUR OFFICE. THIS PRINT IS NOT TO BE REPRODUCED IN ANY WAY DETRIMENTAL TO OUR INTERESTS, AND ONLY IN CONNECTION WITH MATERIAL FURNISHED BY HOLOPHANE.

| | |
|----------|----------|
| ORDER #: | |
| TYPE: | |
| DRAWN: | JCH |
| DATE: | 12/17/09 |
| DWG #: | US-2583 |