



## DP124-0.2-1826

Electronic Locking Type Photocontrol

### Applications

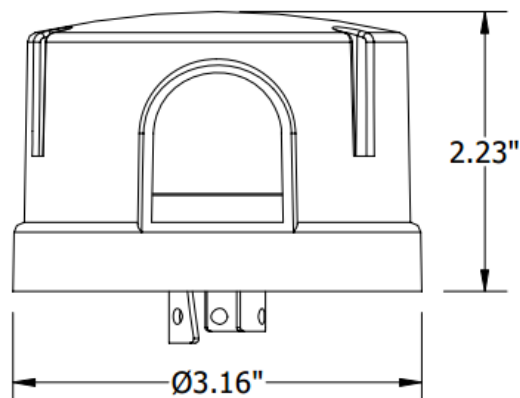
- Inside Contactor Cabinets
- Low Light Roadway & Area Lighting
- Low ambient Floodlights

### Design Details

- Silicon Light Sensor
- Custom Designed Sealed Relay
- MOV rated for 320J/9500 Amp
- Built In 30 second turn-off delay
- Black Cover Color
- Brass Legs
- Designed for LED Contactor cabinets
- Not approved for direct LED fixture receptacles
- Six Year Warranty

### Regulatory Listings

- ANSI C136.10-1996 Compliant
- ROHS compliant



### Operating Characteristics

- Voltage 105 to 305 VAC 50/60Hz
- Load Rating: 1000 watts, 1800 VA ballast
- -40 to + 70C ambient

### ADDITIONAL FEATURES

**Fail-On Control:** Used to keep lights on in case of photo control failure for safety purposes.

**Six Year Warranty:** Warranted to be free of manufacturing quality defects for a period of six (6) years from date of sale.

**Custom Functions:** Designed to turn on at 0.25 ftc for maximum energy savings for low light locations or when installed inside of a contactor cabinet. 30sec time delay to minimize nuisance cycles.

ORDERING INFORMATION

## DP124-0.2-1826