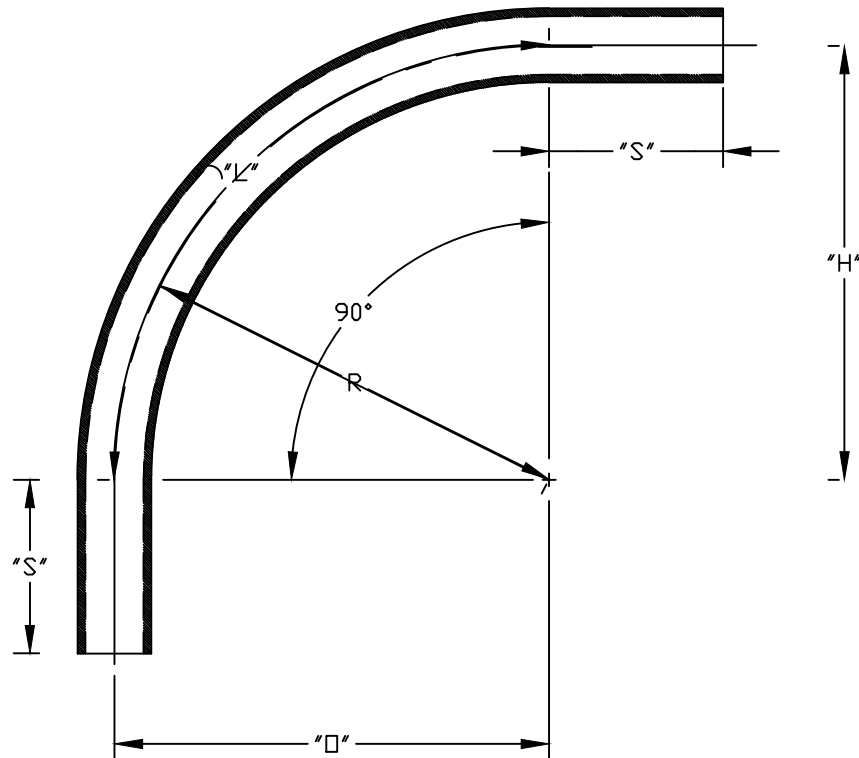


PART NUMBER	SIZE	"R"	"□"	"H"	"S" MIN	"B" MIN	"L"
5121053	½"	4"	4"	4"	1 ½"	N/A	6 ¼"
5121054	¾"	4 ½"	4 ½"	4 ½"	1 ½"	N/A	7 ⅛"
5121055	1"	5 ¾"	5 ¾"	5 ¾"	1 ⅞"	N/A	9"
5121056	1 ¼"	7 ¼"	7 ¼"	7 ¼"	2"	N/A	11 ⅜"
5121057	1 ½"	8 ¼"	8 ¼"	8 ¼"	2"	N/A	13"
5121058	2"	9 ½"	9 ½"	9 ½"	2"	N/A	15"
5121059	2 ½"	10 ½"	10 ½"	10 ½"	3"	N/A	16 ½"
5121060	3"	13"	13"	13"	3 ⅛"	N/A	20 ⅜"
5121068	3 ½"	15"	15"	15"	3 ¼"	N/A	23 ½"
5121061	4"	16"	16"	16"	3 ⅜"	N/A	25 ⅛"
5121062	5"	24"	24"	24"	3 ⅝"	N/A	37 ⅝"
5121063	6"	30"	30"	30"	3 ¾"	N/A	47 ⅛"

All dimensions are nominal



ETL LISTED  
 CONFORMS TO UL651  
 ETL CONTROL #3107144  
 CONFORMS TO NEMA TC3  
 SEE NEC ARTICLE 352 FOR USE  
 MATERIAL IS RIGID PVC  
 BEND TOLERANCE IS ±2°



**CANTEX**  
 INC.  
 Fort Worth, TEXAS

90° Elbows Plain End  
 Schedule 80 Standard Radius Elbows

Drawn By: O.M.

Date: 7/17/17

Ref. 5121053