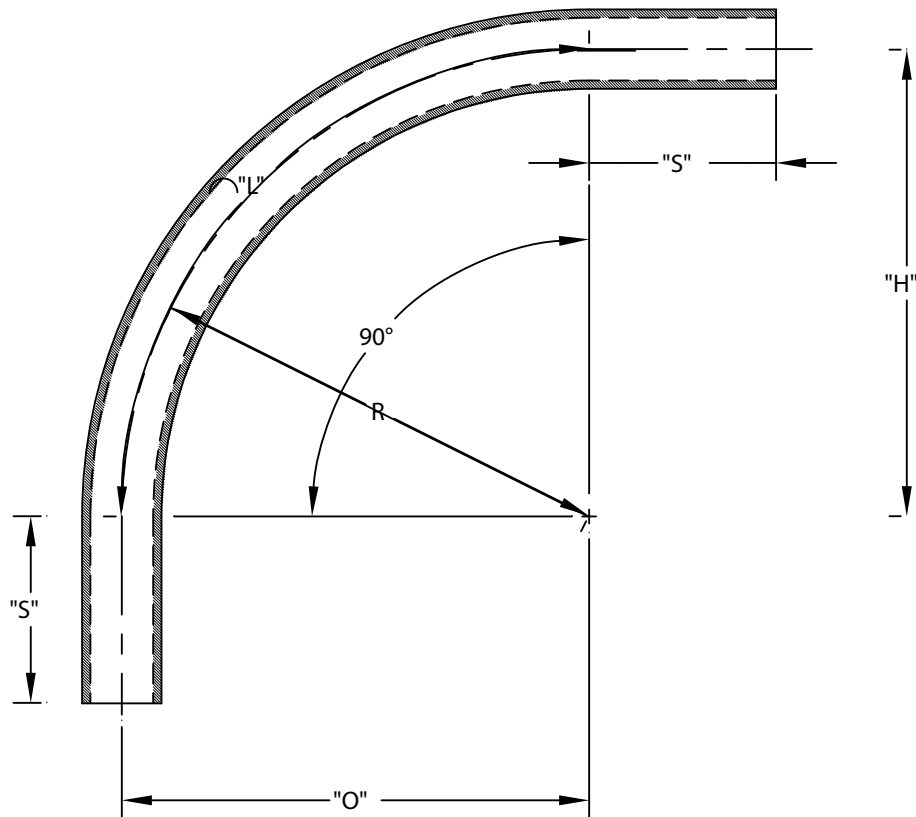


PART NUMBER	SIZE	"R"	"O"	"H"	"S" MIN	"B" MIN	"L"
5121080	1"	36"	36"	36"	1 7/8"	N/A	56 1/2"
5121084	1 1/4"	36"	36"	36"	2"	N/A	56 1/2"
5121100	1 1/2"	36"	36"	36"	2"	N/A	56 1/2"
5121021	2"	36"	36"	36"	2"	N/A	56 1/2"
5121016	2 1/2"	36"	36"	36"	3"	N/A	56 1/2"
5121081	3"	36"	36"	36"	3 1/8"	N/A	56 1/2"
5121023	4"	36"	36"	36"	3 3/8"	N/A	56 1/2"
5121083	5"	36"	36"	36"	3 5/8"	N/A	56 1/2"
5121073	6"	N/A	N/A	N/A	N/A	N/A	N/A



ETL LISTED
 CONFORMS TO UL651
 ETL CONTROL #3107144
 CONFORMS TO NEMA TC3
 SEE NEC ARTICLE 352 FOR USE
 MATERIAL IS RIGID PVC
 BEND TOLERANCE IS ±2°



CANTEX
 INC.
 Fort Worth, TEXAS

90° Elbows Plain End
 Schedule 80 36" Radius Elbows

Drawn By: CD Branch

Date: 10/15/07

Ref.