

# 12" x 12" BOX ASSEMBLY

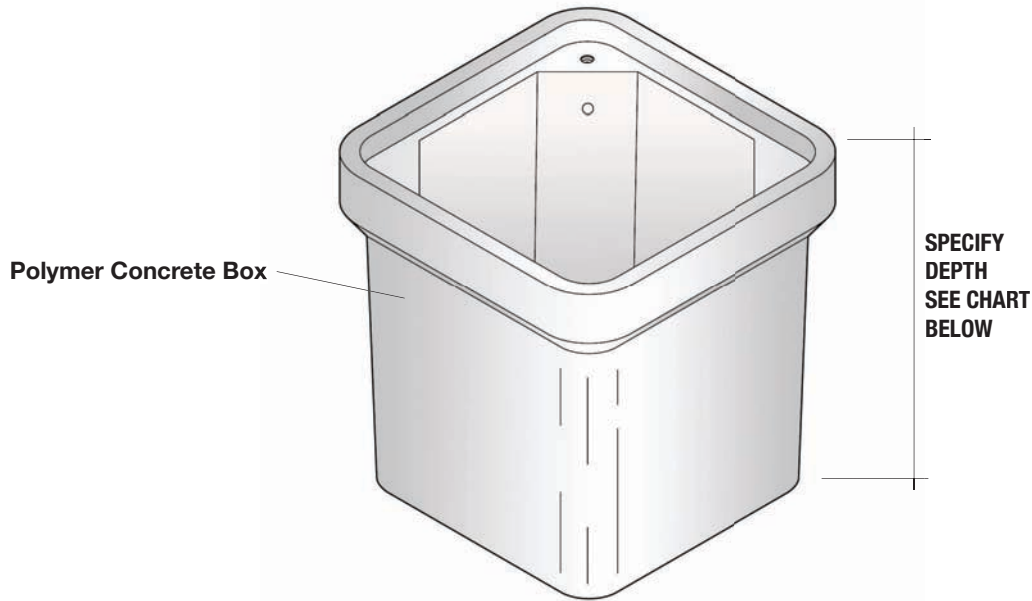
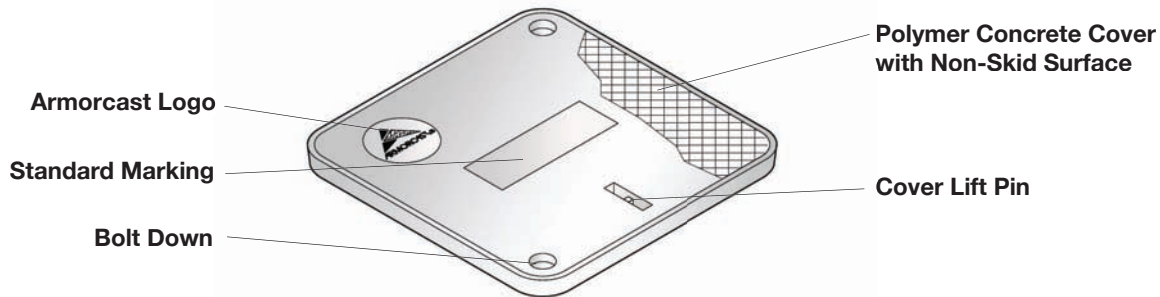
## 12" & 24" DEPTHS



**POLYMER CONCRETE**

**ARMORCAST PRODUCTS COMPANY**

A6001423



POLYMER CONCRETE BOXES

### 12"W x 12"L BOX ASSEMBLIES Specify Depth Below

DESCRIPTION	NOMINAL SIZE W x L x D	LOAD RATING	ANSI TIER	PART NUMBER	APPROX. WEIGHT	PALLET QTY.
Box & Cover Assembly	12" x 12" x 12"	10K	8	A6001423A	42 lbs.	27
	12" x 12" x 12"	20K	15	A6001423TA	46 lbs.	27
Box & Cover Assembly	12" x 12" x 24"	10K	8	A6001423AX24	72 lbs.	9
	12" x 12" x 24"	20K	15	A6001423TAX24	76 lbs.	9

### COMPONENTS

MORE COVER VARIATIONS ARE AVAILABLE IN OUR "COVER SECTION"

DESCRIPTION	NOMINAL SIZE W x L x D	LOAD RATING	ANSI TIER	PART NUMBER	APPROX. WEIGHT	PALLET QTY.
Replacement Covers	12" x 12"	10K	8	A6001422	15 lbs.	50
	12" x 12"	20K	15	A6001422T	19 lbs.	50
Replacement Boxes	12" x 12" x 12"	10K / 20K	8 / 15	A6001423	27 lbs.	18
	12" x 12" x 24"	10K / 20K	8 / 15	A6001423X24	57 lbs.	9

- Boxes are Open Bottom and Stackable, also available with Solid Bottoms.
- For sizes not shown please contact Armorcast Products for more information.

© 2011 Armorcast Products Company 811

[www.armorcastprod.com](http://www.armorcastprod.com)

Tel: (818) 982-3600 Fax: (818) 982-7742



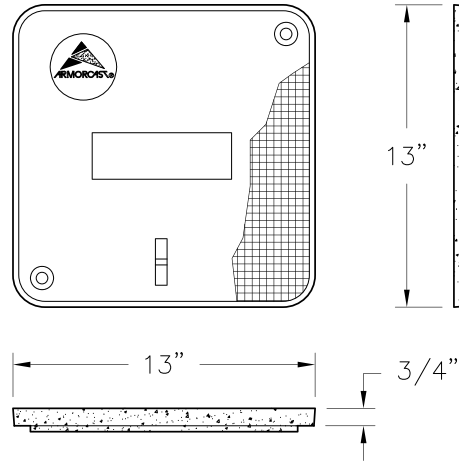
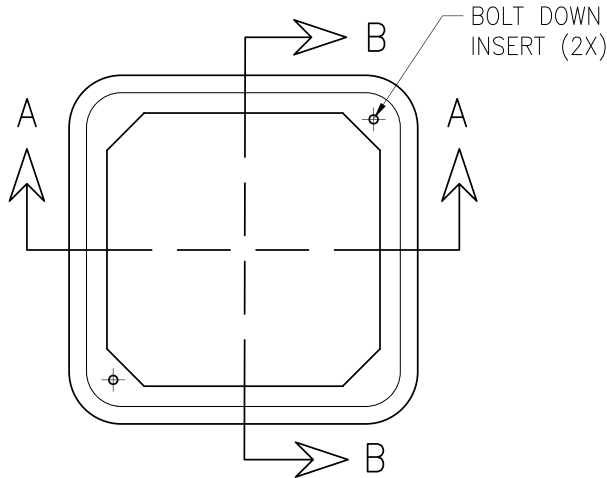
# 12" x 12" BOX ASSEMBLY

## STANDARD DIMENSIONS

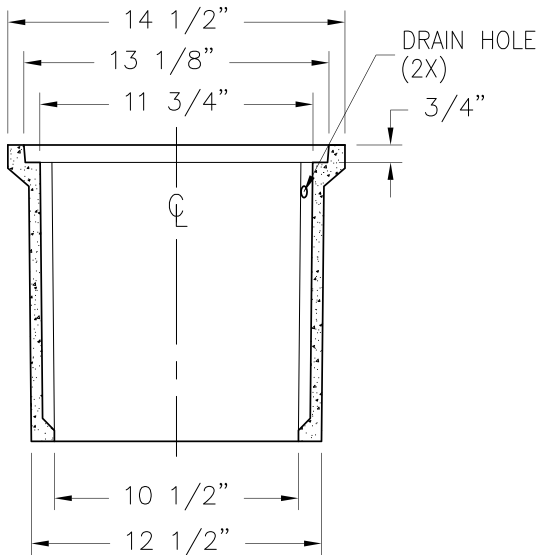
ARMORCAST PRODUCTS COMPANY

POLYMER CONCRETE

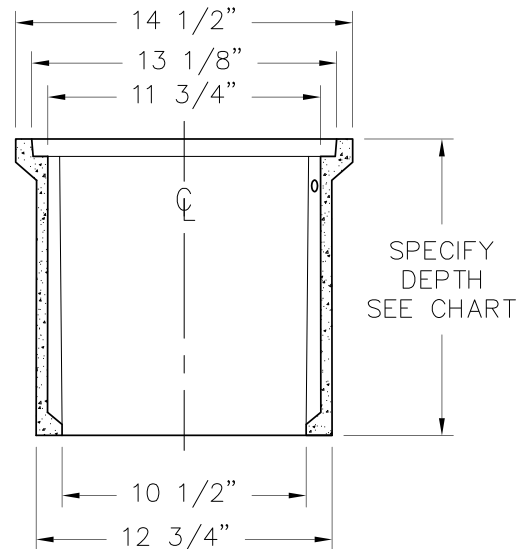
A6001423



### POLYMER CONCRETE COVER



SECTION A-A



SECTION B-B

### POLYMER CONCRETE BOX

Armorcast Products Company reserves the right to update or discontinue product information at any time without notice.

© 2011 Armorcast Products Company 811

[www.armorcastprod.com](http://www.armorcastprod.com)

Tel: (818) 982-3600 Fax: (818) 982-7742

POLYMER CONCRETE  
BOXES