



Consistent with LEED® goals & Green Globes™ criteria for light pollution reduction

# Roadway Series 325

## Roadway Lighting — Cutoff Style with Power Door

200-400W HPS, 175-400W MH

### PRODUCT OVERVIEW



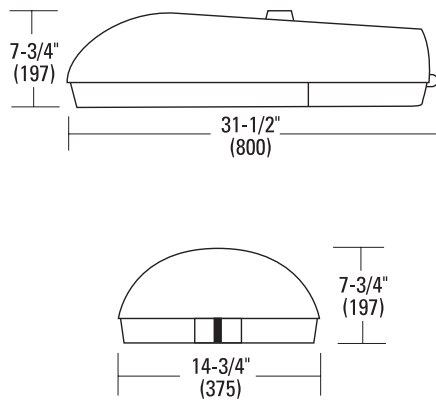
#### Applications:

- Roadways
- Residential streets
- Storage areas
- Parking lots
- Campuses
- Parks

#### Features:

- Rugged die-cast aluminum housing is powder-coated for durability and corrosion resistance
- Die-cast secondary Power Pad door places all electrical components on one easily interchangeable module with quick disconnects to main fixture housing.
- Optional two-bolt mast arm mount provides easy, secure installation and adjustability for arms from 1-1/4" to 2" (1-5/8" to 2-3/8" O.D.) diameter. Standard four-bolt mounting provides extra security in high-vibration applications.
- Die-cast trigger latch on lens frame enables easy and secure one-hand opening for re-lamping.
- Large surface area "breathing seal" gasket seals the optical chamber to prevent intrusion by insects and environmental contaminants. Heat-resistant gasket material remains effective over the life of the fixture.
- Wildlife shield is cast into the housing (not a separate piece) with 2B option and is easily adjustable for 1-1/4" to 2" (1-5/8" to 2-3/8" O.D.) mast arms.
- Photocontrol receptacle is adjustable without tools.
- Anodized aluminum reflectors provide uniform lighting distribution with either flat or sag clear tempered glass.
- NEMA wattage label, terminal block, and NEMA photocontrol receptacle are standard.
- E39 mogul socket standard
- Suitable for -30°C MH / -40°C HPS
- Complies with ANSI: C136.2, C136.10, C136.14, C136.15, C136.31

#### DIMENSIONS

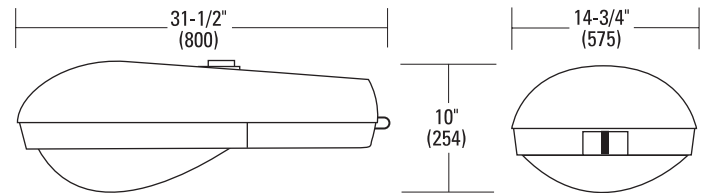


#### Effective Projected Area (EPA)

The EPA for the Horizontal Luminaire Series 325 is 1.14 sq. ft. Approx. Wt. = 35 lbs

#### PREFERRED SELECTION CATALOG NUMBERS

- 325 25S CA MT1 R3 FG EC
- 325 40S CA MT1 R3 FG EC



**Effective Projected Area (EPA)** The EPA for the Horizontal Luminaire Series 325 with sag glass is 1.22 sq. ft.

# Roadway Series 325

## Roadway Lighting — Cutoff Style with Power Door

200-400W HPS, 175-400W MH

### ORDERING INFORMATION

Example: 325 31S CA MT1 R3 FG SF BL

Series	Wattage / Source		Ballast	Voltage	Distribution
<b>325</b> Power Door Cobrahead	<b>17</b> 175W <sup>1</sup> <b>20</b> 200W <b>23</b> 250/400W Wired 250W <sup>2</sup> <b>24</b> 250/400W Wired 400W <sup>2</sup> <b>25</b> 250W <sup>1</sup> <b>31</b> 310W <b>32</b> 320W <b>35</b> 350W <sup>1</sup> <b>40</b> 400W <sup>1</sup>	<b>S</b> HPS <b>M</b> MH <sup>3</sup>	<b>RN</b> Reactor Normal Power Factor <b>RH</b> Reactor High Power Factor <b>XN</b> High Reactance (Lag) Normal Power Factor <b>XH</b> High Reactance (Lag) High Power Factor <b>CA</b> CWA <sup>3</sup> <b>CT</b> CWI <b>MR</b> Mag Reg (3 Coil) <b>SC</b> SCWA	<b>120</b> 120V <b>208</b> 208V <b>240</b> 240V <b>277</b> 277V <b>347</b> 347V <b>480</b> 480V <b>MT1</b> Multi-tap Wired 120V <b>MT2</b> Multi-tap Wired 240V <b>MT7</b> Multi-tap Wired 277V <b>TT3</b> Tri-tap Wired 347V <b>DT2</b> Dual Tap 120/240 Wired 240V <b>DT4</b> Dual Tap 240/480 Wired 480V <b>5T1</b> 5-tap Wired 120V <sup>4</sup> <b>5T2</b> 5-tap Wired 240V <sup>4</sup> <b>5T7</b> 5-tap Wired 277V <sup>4</sup> <b>5T4</b> 5-tap Wired 480V <sup>4</sup>	<b>R2</b> Roadway Type II <b>R3</b> Roadway Type III  Refer to optic distribution matrix below for compatibility.

(E) See ballast matrix for EISA compliant options

#### Optics

**FG** Flat Glass Clear Tempered<sup>5</sup>  
**SG** Sag Glass Clear Tempered

#### Options

##### Mounting

(blank) 4-bolt Internal (standard)  
**M2** 2-bolt Internal 2" Setting  
**2B** 2-bolt Internal 1-1/4" Setting

##### Paint<sup>6</sup>

(blank) Gray (standard)  
**BK** Black  
**BZ** Bronze  
**DDB** Dark Bronze  
**WH** White  
**UP** Unpainted

##### Terminal Block

(blank) Terminal Block (standard)  
**T2** Wired to L1 & L2 Positions  
**T3** 3 Wire Operation  
(L1, N, L2 Position)<sup>7</sup>

##### Listing

**UL** UL Listed  
**CS** CSA Certified

##### Fusing<sup>8</sup>

**SF** Single Fuse (120, 277, 347V)  
**DF** Double Fuse (208, 220, 240, 480V)

##### Photocontrol Receptacle

(blank) NEMA Photocontrol Receptacle  
(standard)  
**NR** No Photocontrol Receptacle<sup>9</sup>

##### Lamp

**LC** Lamp Included, Clear  
**LD** Lamp Included, Deluxe/Coated

##### Starter<sup>10</sup>

(blank) Open Board (standard)  
**EC** Encapsulated Plug-in  
**OP** Open Plug-in

##### Misc.

**PC** Photocontrol Included per  
Voltage Specified<sup>9</sup>  
**BF** RG Vibration<sup>12</sup>  
**BL** Bubble Level  
**SS** Stainless Steel Fasteners (external)  
**CF** Charcoal Filter  
**PL** Distribution Pattern  
Indicator Label  
**LA** Lightning Arrestor  
(Void UL/CSA Certified Options)  
**SH** Shorting Cap<sup>9</sup>  
**HK** Hinge Keeper  
**HP** High Performance<sup>11</sup>  
**RG** Rubber Silicone Optical Gasket  
**TL** Tool-less Entry to Power Pad

#### Notes:

- When ordered with metal halide, these wattages do not comply with California Title 20 regulations
- Not available in 5-tap
- CA ballast is not available with 175W - 400W metal halide in the U.S.; must use SC
- Limited availability, please contact your local American Electric Lighting representative
- Nighttime Friendly™ optic
- Other colors available, please contact your local American Electric Lighting representative
- T3 option only available with 240, 480, DT2, DT4, and MT2
- Not available with MT, TT, and DT voltages
- PC and SH not available in NR option
- HPS only
- Available with FG optics only
- Tested to withstand 3G vibration, 4B option required

#### Optic Distribution

	R2SG	R3SG	R2FG	R3FG	R2FGHP	R3FGHP
<b>17M</b>	▲	▲	▲	▲	-	-
<b>20M</b>	▲	▲	▲	▲	-	-
<b>20S</b>	▲	▲	▲	▲	▲	▲
<b>23S</b>	▲	▲	▲	▲	▲	▲
<b>24S</b>	▲	▲	▲	▲	▲	▲
<b>25S</b>	▲	▲	▲	▲	▲	▲
<b>25M</b>	▲	▲	▲	▲	-	-
<b>31S</b>	▲	▲	▲	▲	▲	▲
<b>32M</b>	▲	▲	▲	▲	-	-
<b>35M</b>	▲	▲	▲ <sup>1</sup>	▲ <sup>1</sup>	-	-
<b>40S</b>	▲	▲	▲	▲	▲	▲
<b>40M</b>	▲	▲	▲ <sup>1</sup>	▲ <sup>1</sup>	-	-

Note: 1 Requires an ED28 reduces jacket lamp



AEL Headquarters, 3825 Columbus Road, Granville, OH 43023  
www.americanelectriclighting.com

© 2008-2016 Acuity Brands Lighting, Inc. All Rights Reserved. 02/18/16

**Warranty** Five-year limited warranty. Complete warranty terms located at:  
[www.acuitybrands.com/CustomResources/Terms\\_and\\_conditions.aspx](http://www.acuitybrands.com/CustomResources/Terms_and_conditions.aspx)  
Actual performance may differ as a result of end-user environment and application.  
Specifications subject to change without notice.

Please contact your sales representative for the latest product information.

RW-325-B

# Roadway Series 325

## Roadway Lighting — Cutoff Style with Power Door

200-400W HPS, 175-400W MH

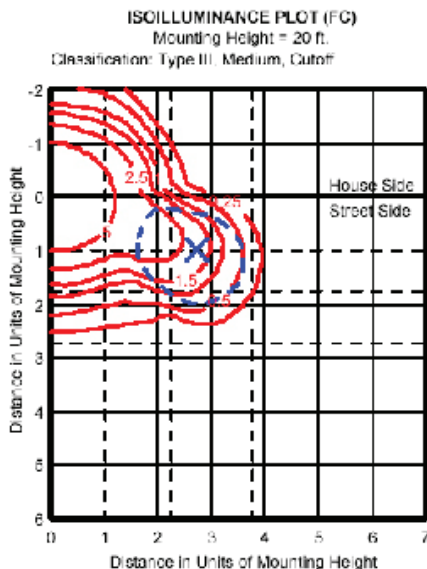
### BALLAST MATRIX

Watts	120	208	240	277	347	480	DT2	DT4
① 17M	SC	SC	SC	SC	-	SC	SC	-
20S	CA,CT,MR,XH,XN	CA,CT	CA,CT,MR,XH,XN	CA,CT,MR	CA	CA,MR	CA,CT,MR,XH,XN	MR
23S	CA	CA	CA	CA	-	-	CA	-
24S	CA	CA	CA	CA	-	-	CA	-
25S	CA,CT,MR,XH,XN	CA,CT	CA,CT,MR,RH,RN,XH,XN	CA,CT	CA	CA,MR	CA,MR,XH,XN	MR
① 25M	SC	SC	SC	SC	SC	SC	SC	SC
31S	CA,MR	CA	CA,MR	CA	-	CA,MR	CA,MR	MR
① 32M	SC	SC	SC	SC	-	SC	SC	-
① 35M	SC	SC	SC	SC	-	SC	SC	-
40S	CA,CT,MR	CA,CT,RN,RH	CA,CT,MR,RN,RH	CA,MR,CT	CA	CA,MR	CA,CT,MR	MR
① 40M	SC	SC	SC	SC	-	SC	SC	-

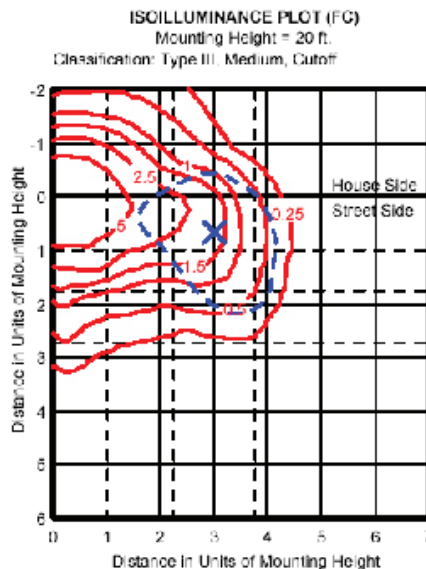
Watts	MT1	MT2	MT7	MT8	TT3	5T4
① 17M	SC	SC	SC	SC	-	-
20S	CA,CT	CA,CT	CA,CT	CA,CT	CA	-
23S	CA	CA	CA	CA	-	-
24S	CA	CA	CA	CA	-	-
25S	CA,CT	CA,CT	CA,CT	CA,CT	CA	CA
① 25M	SC	SC	SC	SC	SC	SC
31S	CA	CA	CA	CA	-	-
① 32M	SC	SC	SC	SC	-	-
① 35M	SC	SC	SC	SC	-	-
40S	CA,CT	CA,CT	CA,CT	CA,CT	CA	CA
① 40M	SC	SC	SC	SC	-	SC

### PHOTOMETRICS

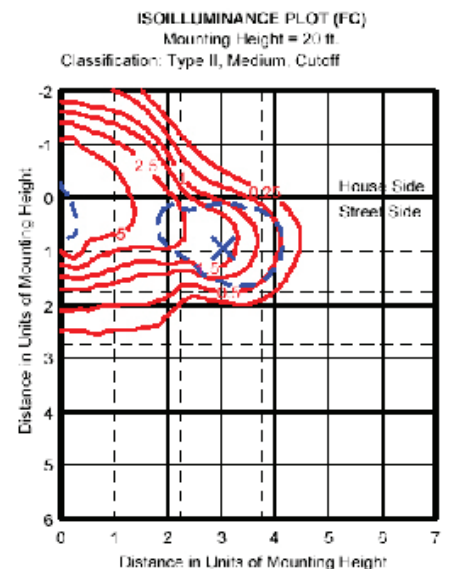
325 40S R3 FG



325 40S R3 FG HP



325 40S R3 SG



X Maximum Intensity  
- - - 1/2 Maximum Intensity



AEL Headquarters, 3825 Columbus Road, Granville, OH 43023  
www.americanelectriclighting.com

© 2008-2016 Acuity Brands Lighting, Inc. All Rights Reserved. 02/18/16

Warranty Five-year limited warranty. Complete warranty terms located at:  
[www.acuitybrands.com/CustomResources/Terms\\_and\\_conditions.aspx](http://www.acuitybrands.com/CustomResources/Terms_and_conditions.aspx)  
Actual performance may differ as a result of end-user environment and application.  
Specifications subject to change without notice.

Please contact your sales representative for the latest product information.

RW-325-B