



Consistent with LEED® goals
& Green Globes™ criteria
for light pollution reduction

Roadway Series 315

Roadway Lighting — Cutoff Style with Power Door

35-400W HPS, 150-250W MH

PRODUCT OVERVIEW



Applications:

- Roadways
- Residential streets
- Storage areas
- Parking lots
- Campuses
- Parks

Features:

Rugged die-cast aluminum housing is powder-coated for durability and corrosion resistance. Die-cast secondary Power Pad door places all electrical components on one easily interchangeable module with quick disconnects to main fixture housing

Two-bolt mast arm mount provides easy, secure installation and adjustability for arms from 1-1/4" to 2" (1-5/8" to 2-3/8" O.D.) diameter. Optional four-bolt mounting provides extra security in high-vibration applications

Die-cast trigger latch on lens frame enables easy and secure one-hand opening for re-lamping

Large surface area "breathing seal" gasket seals the optical chamber to prevent intrusion by insects and environmental contaminants. Heat-resistant gasket material remains effective over the life of the fixture

Wildlife shield is cast into the housing (not a separate piece) on the two-bolt unit and is easily adjustable for 1-1/4" to 2" (1-5/8" to 2-3/8" O.D.) mast arms

Photocontrol receptacle is adjustable without tools

Anodized aluminum reflectors provide uniform lighting distribution with either flat or sag clear tempered glass

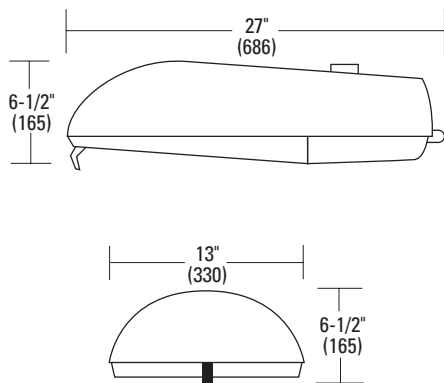
NEMA wattage label, terminal block, and NEMA photocontrol receptacle are standard

E39 mogul socket standard

Complies with ANSI: C136.2, C136.10, C136.14, C136.15, C136.31

Suitable for -30°C MH / -40°C HPS

DIMENSIONS

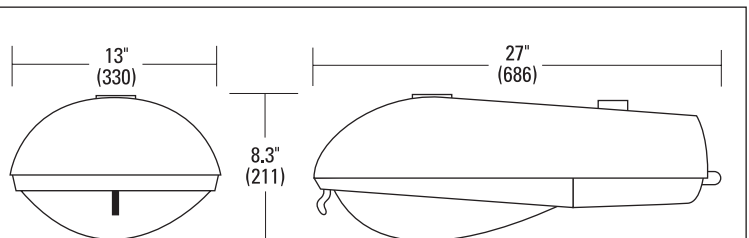


Effective Projected Area (EPA)

The EPA for the Horizontal Luminaire Series 315 with Cutoff is 0.98 sq. ft.
Approx. Wt. = 19 lbs.

PREFERRED SELECTION CATALOG NUMBERS

- 315 10S CA MT1 R2 FG EC
- 315 25S CA MT1 R2 FG EC
- 315 15S CA MT1 R2 FG EC



Effective Projected Area (EPA) The EPA for the Horizontal Luminaire Series 315 with sag glass is 1.06 sq. ft.

Roadway Series 315

Roadway Lighting — Cutoff Style with Power Door

35-400W HPS, 150-250W MH

ORDERING INFORMATION

Example: 315 10S CA DT2 R3 FG NR HP

Series	Wattage / Source	Ballast	Voltage	Distribution
315 Power Door Cobrahead	03 35W	S HPS	120 120V	R2 Roadway Type II R3 Roadway Type III Refer to optic distribution matrix below for compatibility.
	05 50W	M MH ²	208 208V	
	07 70W		240 240V	
	10 100W		277 277V	
	13 100/150W Wired 100W		347 347V	
	14 100/150W Wired 150W		480 480V	
	15 150W		MT1 Multi-tap Wired 120V	
	17 175W ¹		MT2 Multi-tap Wired 240V	
	20 200W		MT7 Multi-tap Wired 277V	
	25 250W ¹		TT7 Tri-tap Wired 277V	
	40 400W ¹		TT3 Tri-tap Wired 347V	
			DT2 Dual Tap 120/240 Wired 240V	
			DT4 Dual Tap 240/480 Wired 480V	

Ⓔ See ballast matrix for EISA compliant options

Optics

FG Flat Glass Clear Tempered³
SG Sag Glass Clear Tempered

Options

Mounting

(blank) 2-bolt Internal 1-1/4" Setting (standard)
EF External Fitter (2-bolt only)
4B 4-bolt Internal
F2 4-bolt Internal 2" S
M2 2-bolt Internal 2" Setting
E2 External Fitter 2" Mast Arm (2-bolt only)

Paint⁴

(blank) Gray (standard)
BK Black
BZ Bronze
DDB Dark Bronze
WH White
UP Unpainted

Terminal Block

(blank) Terminal Block (standard)
T2 Wired to L1 & L2 Positions
T3 3 Wire Operation (L1, N, L2 Position)⁵

Listing

UL UL Listed
CS CSA Certified

Fusing⁶

SF Single Fuse (120, 277, 347V)
DF Double Fuse (208, 220, 240, 480V)

Photocontrol Receptacle

(blank) NEMA Photocontrol Receptacle (standard)

NR No Photocontrol Receptacle⁷

Lamp

LC Lamp Included, Clear

Starter⁸

(blank) Open Board (standard)
EC Encapsulated Plug-in
OP Open Plug-in

Misc.

PC Photocontrol Included per Voltage Specified⁷
BF RG Vibration¹⁰
BL Bubble Level
SS Stainless Steel Fasteners (external)
CF Charcoal Filter
PL Distribution Pattern Indicator Label
LA Lightning Arrestor (Void UL/CSA Certified Options)
NN No NEMA Label on Housing
SH Shorting Cap⁷
HK Hinge Keeper
HP High Performance⁹
RG Rubber Silicone Optical Gasket

Notes:

- When ordered with metal halide, these wattages do not comply with California Title 20 regulations
- CA ballast is not available with 175W - 400W metal halide in the U.S.; must use SC
- Nighttime Friendly™ optic
- Other colors available, please contact your local American Electric Lighting representative
- T3 option only available with 240, 480, DT2, DT4, MT2
- Not available in MT, TT, and DT voltages
- PC and SH not available in NR option
- HPS only
- FG Optics only
- Tested to withstand 3G vibration, 4B option required

Optic Distribution

	R2 SG	R3 SG	R2 FG	R3 FG	R2 FG HP	R3 FG HP
03S	▲	▲	▲	▲	▲	▲
05S	▲	▲	▲	▲	▲	▲
07S	▲	▲	▲	▲	▲	▲
07M	▲	-	▲	-	▲	-
10S	▲	▲	▲	▲	▲	▲
10M	▲	-	▲	-	▲	-
13S	▲	▲	▲	▲	▲	▲
14S	▲	▲	▲	▲	▲	▲
15S	▲	▲	▲	▲	▲	▲
15M	▲	-	▲	-	▲	-
17M	▲	-	▲	-	-	-
20S	▲	-	▲	-	-	-
25S	▲	-	▲	-	-	-
25M	▲	-	-	-	-	-
40S	▲	-	▲	-	-	-



AEL Headquarters, 3825 Columbus Road, Granville, OH 43023
www.americanelectriclighting.com

© 2008-2016 Acuity Brands Lighting, Inc. All Rights Reserved. 02/11/16

Warranty Five-year limited warranty. Complete warranty terms located at: www.acuitybrands.com/CustomResources/Terms_and_conditions.aspx
Actual performance may differ as a result of end-user environment and application. Specifications subject to change without notice.

Please contact your sales representative for the latest product information.

RW-315-B

Roadway Series 315

Roadway Lighting — Cutoff Style with Power Door

35-400W HPS, 150-250W MH

BALLAST MATRIX

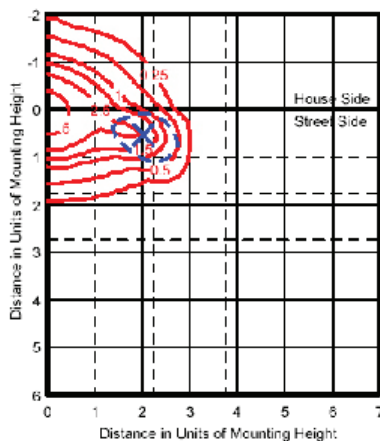
Watts	120	208	240	277	347	480	DT2	DT4
③ 03S	RH,RN	-	-	-	-	-	-	-
05S	RH,RN	XH,XN	XH,XN	XH,XN	-	-	XH,XN	-
07S	CA,CT,MR,RH,RN	CA,CT,XH,XN	CA,CT,MR,XH,XN	CA,XH,XN	CA,XH,XN	XH	CA,CT,MR,XH,XN	MR
07M	XH,XN	XH,XN	XH,XN	-	-	-	XH,XN	XH,XN
③ 10S	CA,CT,MR,RH,RN	CA,CT,XH,XN	CA,CT,MR,XH,XN	CA,MR,XH,XN	XH,XN	CA,MR	CA,CT,MR,XH,XN	MR
10M	XH,XN	XH,XN	XH,XN	-	-	-	XH,XN	XH,XN
③ 15S	CA,CT,MR,RH,RN	CA,CT,XH,XN	CA,CT,MR,XH,XN	CA,XH,XN	XH,XN	CA	CA,CT,MR,XH,XN	MR
③ 13S	RH,RN	-	-	-	-	-	-	-
14S	RH,RN	-	-	-	-	-	-	-
③ 15M	XH,XN	XH,XN	XH,XN	XH,XN	-	XH,XN	XH,XN	-
17M	SC	SC	SC	SC	-	SC	SC	-
20S	CA,CT,XH,XN	CA,CT	CA,CT,XH,XN	CA,CT	CA	CA	CA,CT,XH,XN	-
25S	CA,CT,XH,XN	CA,CT	CA,CT,RH,RN	CA,CT	CA	CA,CT	CA,CT,XH,XN	-
25M	SC	SC	SC	SC	SC	SC	SC	SC
40S	CA	SC	CA,RH,RN	-	-	CA	-	-

Watts	MT1	MT2	MT7	TT3
③ 03S	-	-	-	-
05S	XH,XN	XH,XN	XH,XN	-
07S	CA,XH,XN	CA,XH,XN	CA,XH,XN	XH,XN
07M	XH,XN	XH,XN	XH,XN	-
10S	CA,XH,XN	CA,XH,XN	CA,XH,XN	XH,XN
③ 10M	XH,XN	XH,XN	XH,XN	-
15S	CA,CT,XN,XH	CA,CT,XN,XH	CA,CT,XN,XH	XH,XN
③ 13S	-	-	-	-
③ 14S	-	-	-	-
15M	XH,XN	XH,XN	XH,XN	-
③ 17M	SC	SC	SC	-
20S	CA,CT	CA,CT	CA,CT	CA
25S	CA,CT	CA,CT	CA,CT	CA,CT
25M	SC	SC	SC	SC
40S	CA	CA	CA	-

PHOTOMETRICS

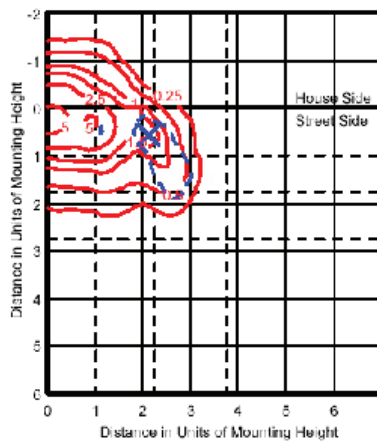
315 15S R2 FG

ISOILLUMINANCE PLOT (FC)
Mounting Height = 20 ft.
Classification: Type II, Short, Cutoff



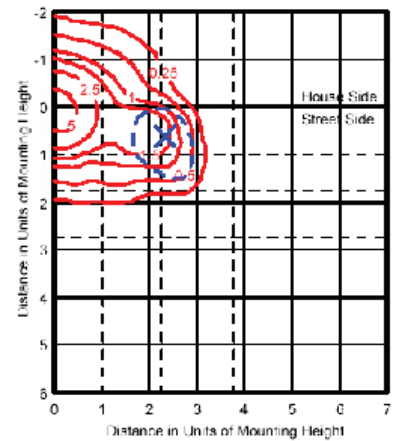
315 15S R3 FG HP

ISOILLUMINANCE PLOT (FC)
Mounting Height = 20 ft.
Classification: Type II, Short, Cutoff



315 25S R3 SG

ISOILLUMINANCE PLOT (FC)
Mounting Height = 20 ft.
Classification: Type II, Medium, Cutoff



X Maximum Intensity
--- 1/2 Maximum Intensity



AEL Headquarters, 3825 Columbus Road, Granville, OH 43023
www.americanelectriclighting.com

© 2008-2016 Acuity Brands Lighting, Inc. All Rights Reserved. 02/11/16

Warranty Five-year limited warranty. Complete warranty terms located at:
www.acuitybrands.com/CustomerResources/Terms_and_conditions.aspx
Actual performance may differ as a result of end-user environment and application.
Specifications subject to change without notice.

Please contact your sales representative for the latest product information.

RW-315-B