



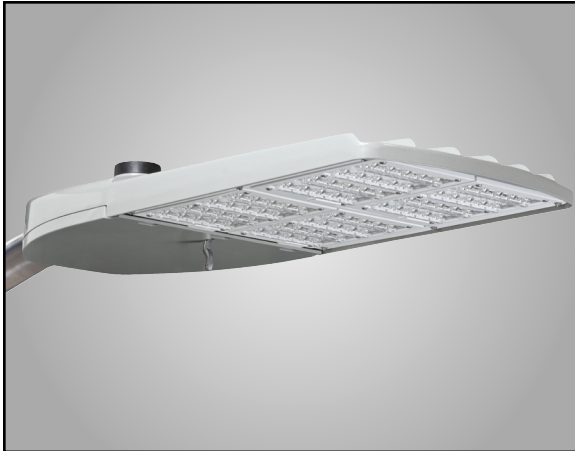
Consistent with LEED® goals & Green Globes™ criteria for light pollution reduction

Autobahn Series ATB2

Roadway Lighting

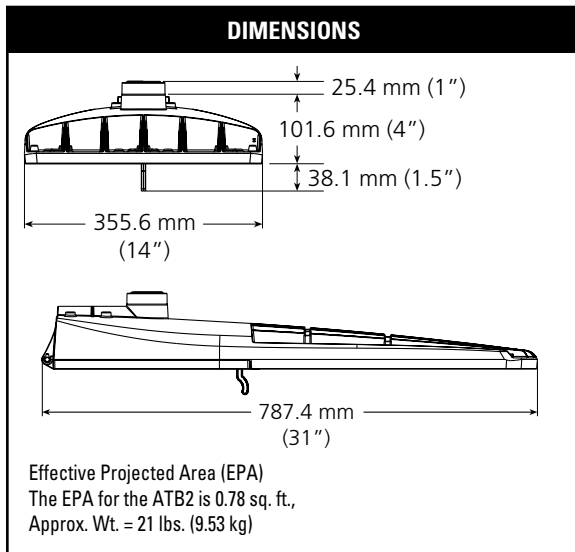
ATB2 60BLEDE70 MVOLT R4 IL NL P7 SH RFD310024 (Gray-B)

PRODUCT OVERVIEW



Applications:

- Roadways
- Off ramps
- Residential streets
- Parking lots



STANDARDS

DesignLights Consortium® (DLC) qualified product. Not all versions of this product may be DLC qualified. Please check the DLC Qualified Products List at www.designlights.org/QPL to confirm which versions are qualified.

Color temperatures of $\leq 3000\text{K}$ must be specified for International Dark-Sky Association certification.

Rated for -40°C to 40°C ambient.

CSA Certified to U.S. and Canadian standards

Complies with ANSI: C136.2, C136.10, C136.14, C136.31, C136.15, C136.37

Note: Specifications subject to change without notice.

Autobahn Series – AEL_0109_ATB2

Features:

OPTICAL

Same Light: Performance is comparable to 250-400W HPS roadway luminaires.

White Light: Correlated color temperature - 4000K, 70 CRI minimum, 3000K, 70CRI minimum or optional 5000K, 70 CRI minimum.

Unique IP66 rated LED light engines provided 0% uplight and restrict backlight to within sidewalk depth, providing optimal application coverage and optimal pole spacing.

Available in Type II, III, IV, & V roadway distributions.

ELECTRICAL

Expected Life: LED light engines are rated $>100,000$ hours at 25°C , L70. Electronic driver has an expected life of 100,000 hours at a 25°C ambient.

Lower Energy: Saves an average of 40-60% over comparable HPS platforms.

Robust Surge Protection: Three different surge protection options provide a minimum of ANSI C136.2 10kV/5kA protection. 20kV/10kA protection is also available.

MECHANICAL

Easy to Maintain: Includes standard AEL lineman-friendly features such as tool-less entry, 3 station terminal block and quick disconnects. Bubble level located inside the electrical compartment for easy leveling at installation.

Rugged die-cast aluminum housing is polyester powder-coated for durability and corrosion resistance. Rigorous five-stage pre-treating and painting process yields a finish that achieves a scribe creepage rating of 7 (per ASTM D1654) after over 5000 hours exposure to salt fog chamber (operated per ASTM B117).

Four-bolt mast arm mount is adjustable for arms from 1-1/4" to 2" (1-5/8" to 2-3/8" O.D.) diameter and provides a 3G vibration rating per ANSI C136.

Wildlife shield is cast into the housing (not a separate piece).

CONTROLS

NEMA 3 Pin photocontrol receptacle is standard, with the Acuity designed ANSI 7 Pin receptacle optionally available.

Premium solid state locking sale photocontrol - PCSS (10 year rated life). Extreme long life sold state locking style photocontrol - PCLL (20 year rated life).

Mult-level dimming available to provide scheduled dimming as specified by the customer.

Optional onboard Adjustable Output module allows the light output and input wattage to be modified to meet site specific requirements, and can also allow a single fixture to be flexibly applied in many different applications.

Autobahn Series ATB2

Roadway Lighting

ORDERING INFORMATION

Example: ATB2 40LEDE70 MVOLT R2

Series	Performance Packages	Voltage	Optics
ATB2 Autobahn LED Roadway	40BLEDE70 40B Chips, 700mA Driver 40BLEDE10 40B Chips, 1050mA Driver 40BLEDE13 40B Chips, 1300mA Driver 40BLEDE15 40B Chips, 1500mA Driver 60BLEDE70 60B Chips, 700mA Driver 60BLEDE85 60B Chips, 850mA Driver 60BLEDE10 60B Chips, 1050mA Driver 60BLEDE13 60B Chips, 1300mA Driver 60BLEDE15 60B Chips, 1500mA Driver 80BLEDE70 80B Chips, 700mA Driver 80BLEDE85 80B Chips, 850mA Driver 80BLEDE10 80B Chips, 1050mA Driver 80BLEDE12 80B Chips, 1200mA Driver 80BLEDE15 80B Chips, 1500mA Driver	MVOLT Multi-volt, 120-277V 347 347V 480 480V	R2 Roadway Type II R3 Roadway Type III R4 Roadway Type IV R5 Roadway Type V

Options		
<u>Color Temperature (CCT)</u> (Blank) 4000K CCT, 70 CRI Min. 3K 3000K CCT, 70 CRI Min. 5K 5000K CCT, 70 CRI Min.	<u>Misc. (continued)</u> UMR-XX 8" Horizontal Arm for Round Pole, Painted to match Fixture UMS-XX 8" Horizontal Arm for Square Pole, Painted to match Fixture UMR-GALV 8" Horizontal Arm for Round Pole, Galvanized UMS-GALV 8" Horizontal Arm for Square Pole, Galvanized	<u>Accessories (field installed):</u> ATB2HS40 Light Trespass Shield LEM 40 House Side ATB2SS40 Light Trespass Shield LEM 40 Street Side ATB2HS60 Light Trespass Shield LEM 60 House Side ATB2SS60 Light Trespass Shield LEM 60 Street Side ATB2HS80 Light Trespass Shield LEM 80 House Side ATB2SS80 Light Trespass Shield LEM 80 Street Side
<u>Paint</u> (Blank) Gray (Standard) BK Black BZ Bronze DDB Dark Bronze GI Graphite WH White	<u>Controls</u> (Blank) 3 Pin NEMA Photocontrol Receptacle (Standard) P7² 7 Pin Photocontrol Receptacle (Dimmable Driver Included) NR No Photocontrol Receptacle AO² Field Adjustable Output DM 0V-10V Dimmable Driver (Controls by others) ML^{3,4} Multi-Level Dimming PCSS¹ Solid State Lighting Photocontrol (120-277V) PCLL Solid State Long Life Photocontrol SH Shorting Cap	Notes 1. Not available in 347 or 480V. 2. Not available with DM or ML options. 3. Not available with AO, DM or P7 options. 4. Dimming schedule and light level information required from the customer in order to configure product. Contact Infrastructure Technical Support to proceed.
<u>Surge Protection</u> (Blank) Standard 10kV/5kA SPD 20 20kV/10KA SPD MP¹ MOV Pack IL¹ SPD with Indicator Light	<u>Packaging</u> (Blank) Single Unit (Standard) JP Job Pack (24/Pallet)	
<u>Terminal Block</u> (Blank) Terminal Block (Standard) T2 Wired to L1 & L2 Positions		
<u>Misc.</u> BL External Bubble Level HS House-Side Shield NL Nema Label XL Not CSA Certified HK Hingekeepers		

Autobahn Series ATB2

Roadway Lighting

PERFORMANCE PACKAGE

Performance Package	Drive Current (mA)	Input Watts	Optic	3K (3000K CCT, 70 CRI Min.)					4K/5K (4000K/5000K CCT, 70 CRI Min.)					LLD @ 25°C		
				Lumens	LPW	B	U	G	Lumens	LPW	B	U	G	25k Hours	75k Hours	100k Hours
				40B	700	88	R2	10,854	123	2	0	3	11,607	132	3	0
	1050	133	15,565	117	3	0		3	16,360	123	3	0	3	0.97	0.95	0.92
	1300	171	18,361	107	3	0		3	19,544	114	3	0	4	0.93	0.90	0.88
	1500	198	20,124	102	3	0		4	21,384	108	2	0	2	0.93	0.90	0.88
	700	88	R3	10,980	125	2	0	2	11,552	131	3	0	3	0.98	0.97	0.96
	1050	133		15,607	117	3	0	3	16,249	122	3	0	3	0.97	0.95	0.92
	1300	171		18,428	108	3	0	3	19,462	114	3	0	3	0.93	0.90	0.88
	1500	198		20,240	102	3	0	3	21,331	108	2	0	3	0.93	0.90	0.88
	700	88	R4	10,905	124	2	0	2	11,768	134	3	0	3	0.98	0.97	0.96
	1050	133		15,627	117	3	0	3	16,593	125	3	0	4	0.97	0.95	0.92
	1300	171		18,405	108	3	0	4	19,877	116	3	0	4	0.93	0.90	0.88
	1500	198		20,167	102	3	0	4	21,799	110	4	0	2	0.93	0.90	0.88
	700	88	R5	11,386	129	4	0	2	12,388	141	4	0	2	0.98	0.97	0.96
	1050	133		16,355	123	4	0	2	17,499	132	5	0	3	0.97	0.95	0.92
	1300	171		19,319	113	4	0	2	20,795	122	5	0	3	0.93	0.90	0.88
	1500	198		21,221	107	5	0	3	22,828	115	3	0	3	0.93	0.90	0.88
60B	700	130	R2	16,471	127	3	0	3	18,193	140	3	0	4	0.98	0.97	0.96
	850	165		19,503	118	3	0	3	21,436	130	3	0	4	0.97	0.95	0.92
	1050	204		23,034	113	3	0	4	24,940	122	3	0	4	0.97	0.95	0.92
	1300	254		27,088	107	3	0	4	29,357	116	3	0	5	0.93	0.90	0.88
	1500	291	29,819	102	3	0	4	32,052	110	3	0	3	0.93	0.90	0.88	
	700	130	R3	16,702	128	3	0	3	17,714	136	3	0	3	0.98	0.97	0.96
	850	165		19,809	120	3	0	3	21,351	129	3	0	4	0.97	0.95	0.92
	1050	204		23,400	115	3	0	3	25,520	125	3	0	4	0.97	0.95	0.92
	1300	254		27,541	108	3	0	4	29,991	118	3	0	4	0.93	0.90	0.88
	1500	291	30,230	104	3	0	4	32,709	112	3	0	3	0.93	0.90	0.88	
	700	130	R4	16,725	129	3	0	3	17,984	138	3	0	4	0.98	0.97	0.96
	850	165		19,831	120	3	0	4	21,446	130	3	0	4	0.97	0.95	0.92
	1050	204		23,421	115	3	0	4	25,423	125	3	0	5	0.97	0.95	0.92
	1300	254		27,542	108	3	0	4	29,898	118	3	0	5	0.93	0.90	0.88
	1500	291	30,221	104	3	0	5	32,527	112	4	0	2	0.93	0.90	0.88	
	700	130	R5	17,413	134	4	0	2	18,561	143	5	0	3	0.98	0.97	0.96
	850	165		20,634	125	5	0	3	22,402	136	5	0	3	0.97	0.95	0.92
	1050	204		24,359	119	5	0	3	26,128	128	5	0	4	0.97	0.95	0.92
	1300	254		28,578	113	5	0	3	30,964	122	5	0	4	0.93	0.90	0.88
	1500	291	31,214	107	5	0	4	33,922	117	3	0	4	0.93	0.90	0.88	
80B	700	177	R2	22,056	125	3	0	4	23,037	130	3	0	4	0.98	0.97	0.96
	850	214		25,663	120	3	0	4	27,086	127	3	0	5	0.97	0.95	0.92
	1050	268		30,443	114	3	0	5	31,920	119	4	0	5	0.97	0.95	0.92
	1250	330		34,512	105	4	0	5	36,826	112	4	0	5	0.93	0.90	0.88
	1500	388	39,529	102	4	0	5	40,326	104	3	0	3	0.91	0.87	0.84	
	700	177	R3	21,936	124	3	0	3	23,934	135	3	0	4	0.98	0.97	0.96
	850	214		25,512	119	3	0	4	26,879	126	3	0	4	0.97	0.95	0.92
	1050	268		30,302	113	3	0	4	32,416	121	4	0	4	0.97	0.95	0.92
	1200	330		35,047	106	4	0	4	37,042	112	4	0	5	0.93	0.90	0.88
	1500	388	39,490	102	4	0	5	41,858	108	3	0	4	0.91	0.87	0.84	
	700	177	R4	22,180	125	3	0	4	23,230	131	3	0	4	0.98	0.97	0.96
	850	214		25,842	121	3	0	4	27,263	127	3	0	5	0.97	0.95	0.92
	1050	268		30,644	114	3	0	5	32,329	121	4	0	5	0.97	0.95	0.92
	1250	330		35,084	106	3	0	5	37,293	113	4	0	5	0.93	0.90	0.88
	1500	388	39,816	103	4	0	5	41,611	107	5	0	3	0.91	0.87	0.84	
	700	177	R5	22,895	129	5	0	3	24,776	140	5	0	3	0.98	0.97	0.96
	850	214		26,608	124	5	0	3	28,865	135	5	0	4	0.97	0.95	0.92
	1050	268		31,557	118	5	0	4	34,319	128	5	0	4	0.97	0.95	0.92
	1250	330		36,635	111	5	0	4	39,552	120	5	0	4	0.93	0.90	0.88
	1500	388	41,534	107	5	0	4	44,747	115	5	0	4	0.91	0.87	0.84	

Note: Individual fixture performance may vary. Specifications subject to change without notice.

ATB2 LLD Multiplier	15°C	20°C	25°C	30°C	35°C	40°C
	1.02	1.01	1	0.99	0.97	0.96

To calculate the LLD for a temperature other than 25°C, multiply the LLD @ 25°C (shown in the performance package table) by the LLD multiplier for the selected temperature.



AEL Headquarters, 3825 Columbus Road, Granville, OH 43023
 www.americanelectricalighting.com
 © 2014-2019 Acuity Brands Lighting, Inc. All Rights Reserved. ATB2 02/21/19

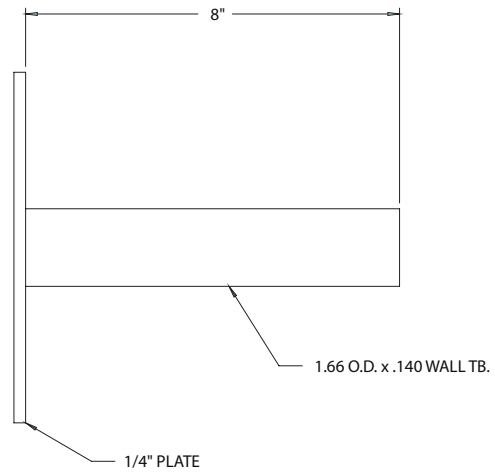
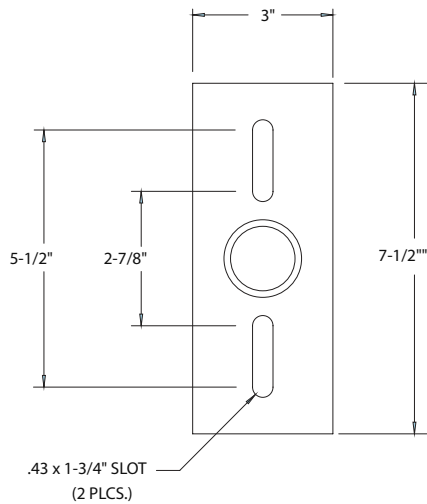
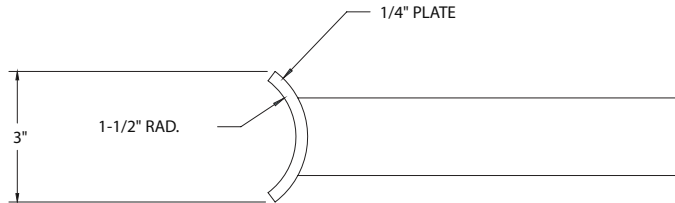
Warranty Five-year limited warranty. Complete warranty terms located at: www.acuitybrands.com/resources/terms-and-conditions
 Actual performance may differ as a result of end-user environment and application. All values are design or typical values, measured under laboratory conditions at 25 °C. Specifications subject to change without notice.

Please contact your sales representative for the latest product information.

Autobahn Series ATB2 Roadway Lighting

UMR POLE ADAPTOR

RECOMMENDED FOR USE WITH POLES OF 4" DIAMETER OR SMALLER



UMS POLE ADAPTOR



AEL Headquarters, 3825 Columbus Road, Granville, OH 43023
www.americanelectriclighting.com

© 2014-2019 Acuity Brands Lighting, Inc. All Rights Reserved. ATB2 02/21/19

Warranty Five-year limited warranty. Complete warranty terms located at: www.acuitybrands.com/resources/terms-and-conditions
Actual performance may differ as a result of end-user environment and application. All values are design or typical values, measured under laboratory conditions at 25 °C. Specifications subject to change without notice.

Please contact your sales representative for the latest product information.