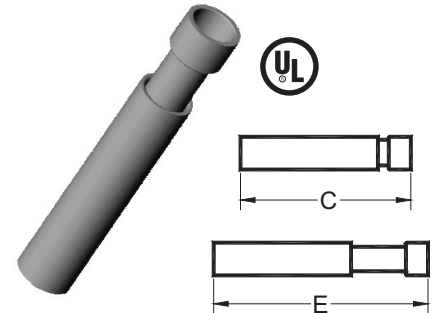


PVC Expansion Couplings, Straps, Meter Accessories

Expansion Couplings - Two Piece

Trade Size	Part Number	Unit Quantity	Expanded (E) (in)	Contracted (C) (in)	Travel (in)
1/2*	789646	25	12.00	8.00	4.00
3/4	789647	10	12.00	8.00	4.00
1	789648	10	12.50	8.50	4.00
1-1/4	789649	5	13.00	9.00	4.00
1-1/2	789650	5	13.00	9.00	4.00
2	789651	25	13.25	9.25	4.00
2-1/2*	789652	12	13.25	9.25	4.00
3	789653	12	22.25	14.25	8.00
3-1/2*	789654	6	22.25	14.25	8.00
4	789655	6	22.25	14.25	8.00
5*	789656	1	22.25	14.25	8.00
6	789657	1	22.25	14.25	8.00



* Not UL Listed

Pipe Straps* - PVC - 2 Hole

Trade Size	Part Number	Unit Quantity
1/2	59280	300
3/4	59281	200
1	59282	200
1-1/4	59283	200
1-1/2	59284	200
2	59285	200



* Not UL Listed

Pipe Straps - PVC Coated Steel - 2 Hole

Trade Size	Part Number	Unit Quantity
2-1/2	802839	50
3	802840	25
3-1/2	802841	25
4	802842	15
5	802843	10
6	802844	5



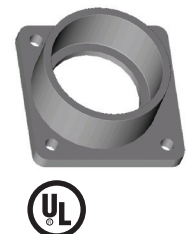
Meter Offsets

Trade Size	Part Number	Unit Quantity
1-1/4	59193	15
2	59194	8



Meter Hubs

Trade Size	Part Number	Unit Quantity
1-1/4	802801	50
1-1/2	802802	25
2	802803	50



Pulling Elbow

Trade Size	Part Number	Unit Quantity
1/2	52400	75
3/4	52401	50



Service Entrance Fittings

Trade Size	Part Number	Unit Quantity
1/2	59269	10
3/4	59270	10
1	59271	20
1-1/4	59272	20
1-1/2	59273	20
2	59274	5
2-1/2*	59275	5
3	59276	5
3-1/2*	59277	5
4	59278	1



* Not UL Listed