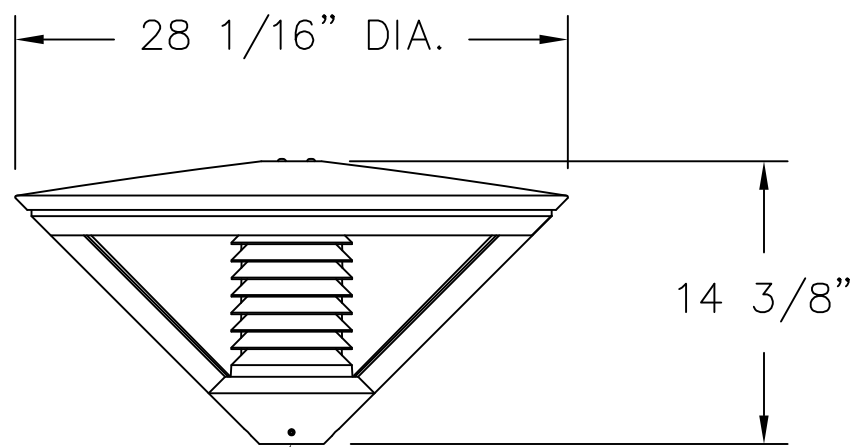
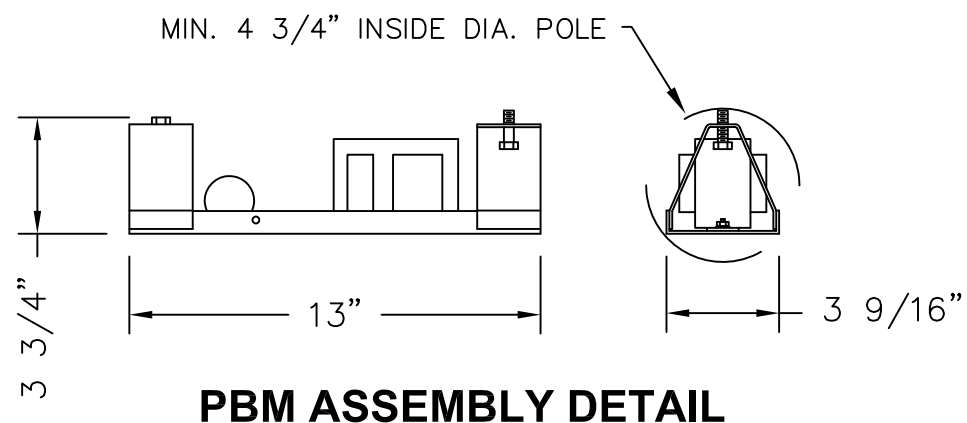
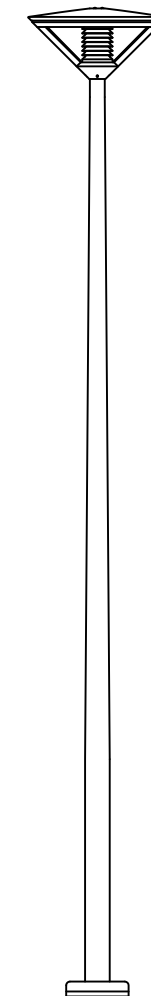


NOTES:

- 1. LUMINAIRE # 8189P - SEE SPECIFICATIONS.
- 2. (1) 42W ELECTRONIC FLUORESCENT UNIVERSAL 120-277V BALLAST PROVIDED INSIDE LUMINAIRE.
- 3. PBM ASSEMBLY IS REQUIRED FOR INSTALLATION INTO 5" DIA. MIN. HINGED POLE BASE.
- 4. (1) 42W CF TRIPLE 4-PIN LAMP (PROVIDED BY OTHERS).
- 5. AVAILABLE IN STANDARD BEGA COLORS.



SLIP FITS 3" O.D. POLE OR TENON  
(REQUIRES A MINIMUM 2 1/2" LENGTH OF STRAIGHT DIA. POLE/TENON)



**SHOWN ON 1508HR**