

Type:
Job:
Catalog Number:

Approvals:

SERIES See Page 2	DISTRIBUTION VOLTAGE	MOUNTING	OPTIONS (FACTORY INSTALLED) See Page 4	FINISH
----------------------	----------------------	----------	--	--------

Note: X and Y components of order sequence to be manually entered in part number after Option / Accessory is selected.

Certain configurations or combinations of options and/or accessories may not be compatible.

ACCESSORIES (SHIPPED SEPARATELY)
See Page 4

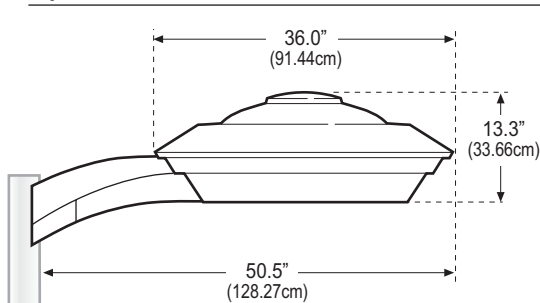
Date:
Page 1 of 6

OVERALL DIMENSIONS

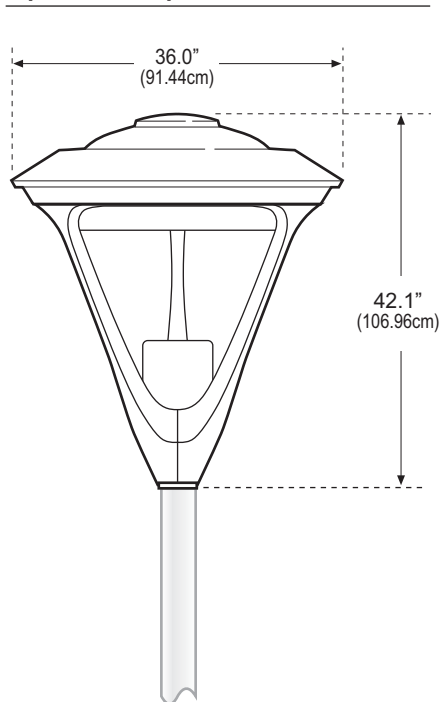
For Reference Only

(Optra shown mounted to a 4" round pole)

Optra Arm Mount



Optra Post Top Mount



SPECIFICATIONS

HOUSING

Die-cast aluminum housing construction. All hardware shall be corrosion resistant. The Optra™ shall consist of a separate ballast housing and optical housing ensuring cooler operation and significantly longer component and unit life.

FULL CUTOFF OPTICAL SYSTEM

Revolutionary optics design incorporates the advantages of vertical lamping with an innovative inverse conical lens (patent pending) to provide compliance with IES full cutoff definition in addition to unrivaled photometric performance. Optical lens employs collimating lens technology to capture and focus uncontrolled lumens back into the main beam while masking arc tube glare. Multi-faceted segmented reflectors shall be made of high purity, anodized "Super Sheet" aluminum with an inorganic dielectric coating, producing a minimum reflectivity of 95% for optimum efficiency. The optical head is equipped with an electrical disconnect and is fully gasketed to ensure Dust-Tite™ construction for higher maintained light levels. Symmetric pattern provides excellent spacing to mounting height ratios with very low glare. Asymmetric pattern provides directional spill light control, useful for perimeter areas.

BALLAST

Separate but integral ballast shall be high power factor with reliable starting at temperatures as low as -29°C (-20°F) for Metal Halide, -34°C (-30°F) for Pulse Start Metal Halide, and -40°C (-40°F) for High Pressure Sodium. Crest factor does not exceed 1.8. Ballast has Class H, 180°C (356°F) rated insulation system. Ballast module shall be tool-less for ease of installation and service.

LAMP ACCESS

Top of the fixture hinges open to provide tool-less lamp access and relamping.

LENS

Precision manufactured fully tempered inverse conical glass lens, in conjunction with the collimating optic lens, exceeds limitations of sag glass lens photometrics, which can provide no better than cutoff performance.

MOUNTING

Fixture is constructed for one-person installation. Field installed surface arm mount shall be of die-cast aluminum. Mounting arm with integral ballast tray assembly shall be used to bolt fixture to a 4" to 5" OD round or 4" to 6" square pole. Post top mount allows fixture mounting to a 2-3/8" OD x 4" vertical tenon on a 4" or 5" round or square pole.

FINISH

Standard finish shall be Satin Aluminum UltraClad™ polyester powder coat, electrostatically applied and oven cured to ensure extreme durability. Other colors may be specified.

LISTINGS

UL/cUL Listed luminaire, UL 1598, suitable for wet locations. Standard unit constructed to IP65. The quality systems of this facility have been registered by UL to the ISO 9000 Series Standards.

WARRANTY / TERMS AND CONDITIONS

Standard 5 Year Limited Warranty

Wide-Lite's current Warranty may be found at www.wide-lite.com (keyword: warranty) as well as Wide-Lite's current Standard Terms and Conditions of Sale (keyword: terms).

All sales of items in this catalogue shall be subject to Wide-Lite's Standard Terms and Conditions of Sale current at the time of shipment. If you do not have a copy of Wide-Lite's Warranty and Standard Terms, please contact the factory for same prior to ordering.

Fluorescent and HID lamps contain mercury. Dispose of these lamps according to local, state or federal laws. For further information on local, state or other requirements for disposal of mercury-containing lamps, see www.nema.org/lamprecycle.



www.wide-lite.com
CATALOG KEYWORD: OP



Wide-Lite
 a GENLITE company

P.O. Box 606 • San Marcos TX 78667-0606
 (512) 392-5821 • Fax (512) 753-1122

Specifications and dimensions are subject to change without notice.



Type:
 Job:

STANDARD FEATURES

OPTRA ARM MOUNT
SR mount shown



OPTRA POST TOP
PTTR mount shown



SERIES

Pulse Start

- OPP-1000
- OPP-875
- OPP-750
- OPP-450
- OPP-400
- OPP-350
- OPP-250

Metal Halide

- OPM-1000
- OPM-400
- OPM-250

High Pressure Sodium

- OPS-1000
- OPS-400
- OPS-250

DISTRIBUTION

- S = Symmetric
- A = Asymmetric

VOLTAGE

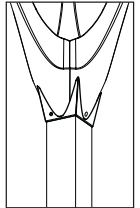
- 120
- 208
- 240
- 277
- 480
- QV⁽¹⁾
- 5T⁽²⁾

(1) QV = Quad-Voltage ballast (120/208/240/277, no 480V). Not available for 750W PSMH.
 (2) 5T = Five Tap ballast (120/208/240/277/480). Consult factory.

MOUNTING

- SR = Arm Mount to Round Pole
- PTTR = Post Top Tenon Mount to Round Pole w / 2-3/8" OD x 4" vertical tenon
- SS = Arm Mount to Square Pole
- PTTS-4 = Post Top Tenon Mount with Transition for 4" Square Pole w / 2-3/8" OD x 4" vertical tenon
- PTTS-5 = Post Top Tenon Mount with Transition for 5" Square Pole w / 2-3/8" OD x 4" vertical tenon

(See Arm Mount Drill Template and Post Top Detail on page 5.)



DISTRIBUTION GUIDE AND BALLAST DATA (1,2,3)

Source Type ⁽⁴⁾	Catalog Number	Lamp Envelope ⁽⁵⁾	Recommended Max. Spacing	Cutoff Level	.ies File Name ⁽⁶⁾	ANSI Code	Line Current 120 / 208 / 240 / 277 / 480	Line Watts
PS	OPP-1000	BT37	5:1	Full	opp10(*).ies	M141	9.00 / 5.20 / 4.50 / 3.90 / 2.40	1080
	OPP-875	BT37	5:1	Full	opp87(*).ies	TBA ⁽⁷⁾	7.80 / 4.30 / 3.90 / 3.40 / 2.00	945
	OPP-750	BT37	5:1	Full	opp75(*).ies	M149	7.00 / 4.00 / 3.50 / 3.00 / 1.70	820
	OPP-450	BT37	5:1	Full	opp45(*).ies	M144	4.44 / 2.56 / 2.22 / 1.92 / 1.10	514
	OPP-400	BT28	5:1	Full	opp40(*).ies	M135 / M155	4.00 / 2.20 / 1.91 / 1.75 / 1.00	456
	OPP-350	BT28	5:1	Full	opp35(*).ies	M131	3.70 / 2.10 / 1.80 / 1.60 / 0.90	400
	OPP-250	BT28	5:1	Full	opp25(*).ies	M138 / M153	2.75 / 1.45 / 1.30 / 1.20 / 0.60	298
MH	OPM-1000	BT37	5:1	Full	opm10(*).ies	M47 / H36	9.20 / 5.60 / 4.70 / 4.10 / 2.40	1080
	OPM-400	BT28	5:1	Full	opm40(*).ies	M59 / H33	4.40 / 2.50 / 2.20 / 1.90 / 1.10	462
	OPM-250	BT28	5:1	Full	opm25(*).ies	M58 / H37	2.80 / 1.60 / 1.37 / 1.20 / 0.70	297
HPS	OPS-1000	BT37 (dual arc)	5:1	Full	ops10(*).ies	S52	9.50 / 5.50 / 4.80 / 4.20 / 2.50	1100
	OPS-400	E18	5:1	Full	ops40(*).ies	S51	4.10 / 2.45 / 2.10 / 1.85 / 1.10	467
	OPS-250	E18	5:1	Full	ops25(*).ies	S50	2.70 / 1.55 / 1.30 / 1.20 / 0.70	310

Notes: (1) The Optra accommodates a variety of other wattages and lamps. Consult factory. (5) Clear lamps are recommended for optimum photometric performance.
 (2) The Optra meets IES Full Cutoff specifications in all wattages and lamp sources. (6) Replace (*) with Reflector type: S (symmetric) or A (asymmetric).
 (3) Ballast type: CWA (Constant Wattage Autotransformer). (7) TBA = To Be Assigned.
 (4) PS = Pulse Start Metal Halide, MH = Metal Halide, HPS = High Pressure Sodium.



www.wide-lite.com
 CATALOG KEYWORD: OP



Wide-Lite
 a GENLITE company

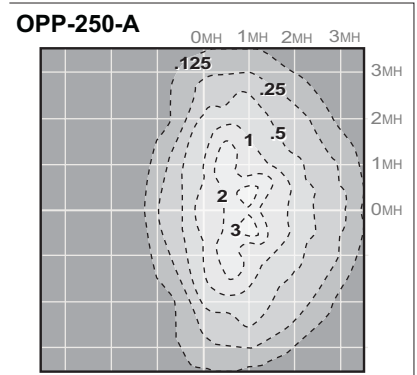
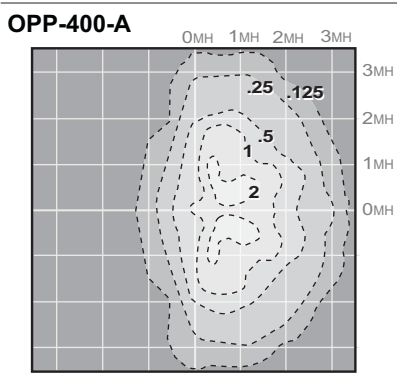
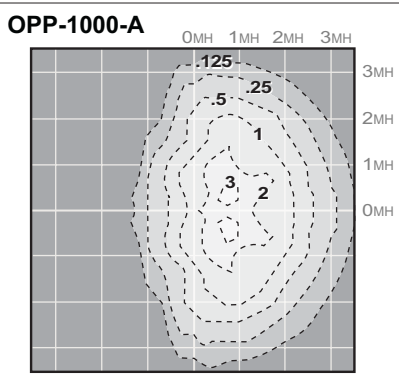
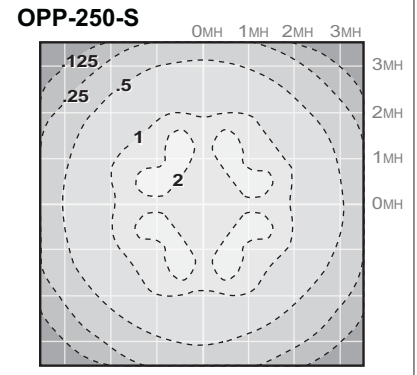
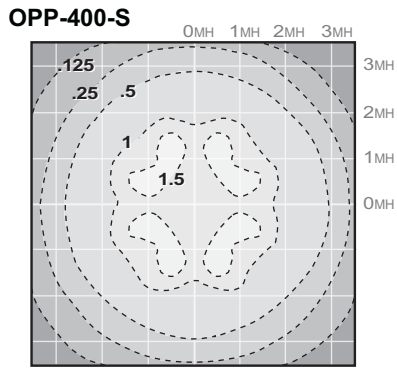
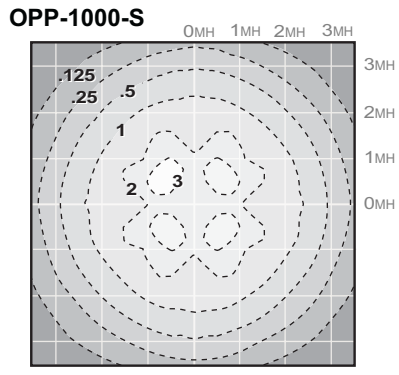
P.O. Box 606 • San Marcos TX 78667-0606
 (512) 392-5821 • Fax (512) 753-1122

Specifications and dimensions are subject to change without notice.



Type:
 Job:

DISTRIBUTION PATTERNS AND EPA DATA



Photometric data for 1000W calculated at 40' Mounting Ht.

Photometric data for 400W calculated at 30' Mounting Ht.

Photometric data for 250W calculated at 20' Mounting Ht.

EPA = Effective Projected Area in Ft²

Sturdy yet lightweight all aluminum construction and computer designed profile ensure low EPA's – only 1.38 sq. ft. for the single arm mount unit.

EPA calculations are confirmed by wind tunnel testing.

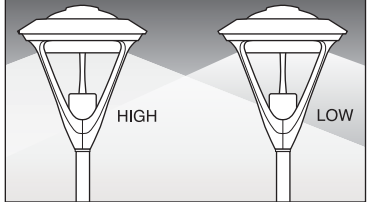
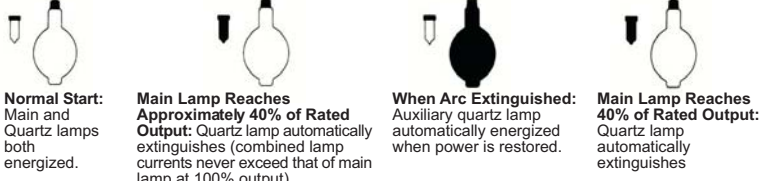
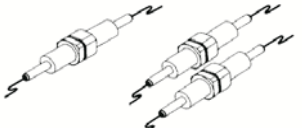
ARM MOUNT	
1 @ 90°	1.38
2 @ 90°	2.76
2 @ 180°	2.76
3 @ 120°	3.39
3 @ 90°	3.79
4 @ 90°	3.95

POST TOP
2.07

Post Top Mount requires 2-3/8" OD x 4" vertical tenon.
 (Shown mounted to 4" round pole.)

Type:
 Job:


OPTIONS - (FACTORY INSTALLED)

<input type="checkbox"/> BL = Bi-Level® (Requires 5-wire)	Bi-level® provides high / low level of lamp output with up to 50% power consumption. Zero crossover network avoids strobing and lamp dropout. Unlike horizontal lamp full cutoff fixtures, the Optra's vertical lamp system can accommodate energy efficiency standards requiring bi-level systems.	
<input type="checkbox"/> CSR = Hot Quartz Restrike <input type="checkbox"/> LQ = Hot/Cold Quartz Restrike <input type="checkbox"/> LQ1 = Separately Wired (120V) Quartz Restrike (Requires 5-wire) <i>Note: Standard 150 watt (120V) double contact bayonet base socket.</i> <i>Combined Quartz wattage may not exceed HID lamp wattage.</i> <i>LQ1 requires an Interlock (by others) to ensure HID and Quartz source are not operated concurrently.</i>	CSR - Quartz restrike using a current sensing relay; extinguishes auxiliary lamp when main arc strikes. LQ - Provides LiteMatic operation for fixtures with 120V or multi-tap ballasts. LQ1 - Separately wired, externally controlled emergency lighting from a separate power source. LiteMatic Operation	
<input type="checkbox"/> F1 = Single Fuse (120V/277V) <input type="checkbox"/> F2 = Double Fuse (208V/240V/480V) <i>Note: Voltage must be specified when ordering QV ballast.</i>	Standard unit consists of 1 or 2 KTK 30 amp fuses mounted internally on the ballast plate.	
<input type="checkbox"/> TLR = Twist Lock Photocell Receptacle <input type="checkbox"/> TLR-PC = Twist Lock Photocell Receptacle with Photocontrol (Voltage must be specified)	Factory installed photocell receptacle. <i>Available for Arm Mount only.</i>	
<input type="checkbox"/> PCB = Photocell Button (Voltage must be specified)	Factory installed photocell button. <i>Available for Arm Mount only. Not available in 480V.</i>	
<input type="checkbox"/> 50 HZ = 50 Hertz Ballast Operation	Specified for applications (outside the U.S.) where 50 Hertz operation is standard. Consult factory for availability.	

FINISH

<input checked="" type="checkbox"/> SA = Satin Aluminum (Standard) <input type="checkbox"/> DB = Dark Bronze <input type="checkbox"/> BLK = Black <input type="checkbox"/> TBK = Textured Black <input type="checkbox"/> GR = Gray	<input type="checkbox"/> GN = Textured Green <input type="checkbox"/> WHT = White <input type="checkbox"/> RAL(*) = Special Tiger DryLac® Powder coat finish; (*) Specify RAL color number from RAL color chart. Custom finish also available. (Consult factory).	<input type="checkbox"/> M(*) = Marine Grade finish; (*) Specify color in marine grade finish. Limited color selection. (Consult factory).
---	--	--

ACCESSORIES - (SHIPPED SEPARATELY)

<input type="checkbox"/> F1-Kit = Single Fuse Kit (120V/277V) <input type="checkbox"/> F2-Kit = Double Fuse Kit (208V/240V/480V)	Consists of 1 or 2 fuse holders and 1 or 2 KTK 30 amp fuses. Field installed.	
<input type="checkbox"/> SK-OP = External House Side Shield	Field installed accessory provides supplemental spill light control.	

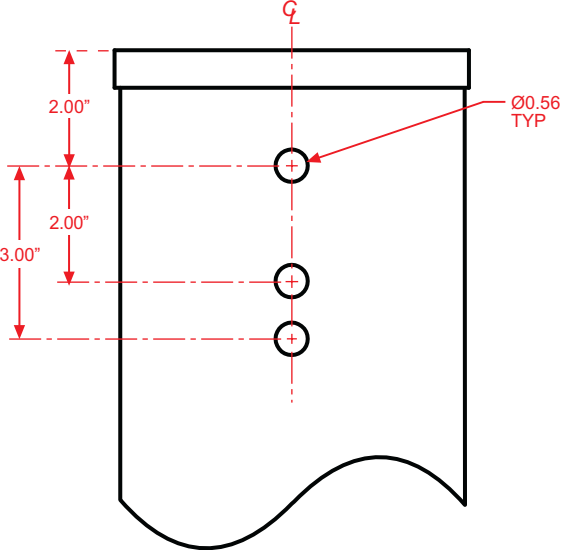


Type:
 Job:

Page 5 of 6

ARM MOUNT DRILL TEMPLATE (NTS)

POST TOP DETAIL (NTS)



Optra may be Arm Mounted in 6 different configurations.
 See EPA data on page 3.

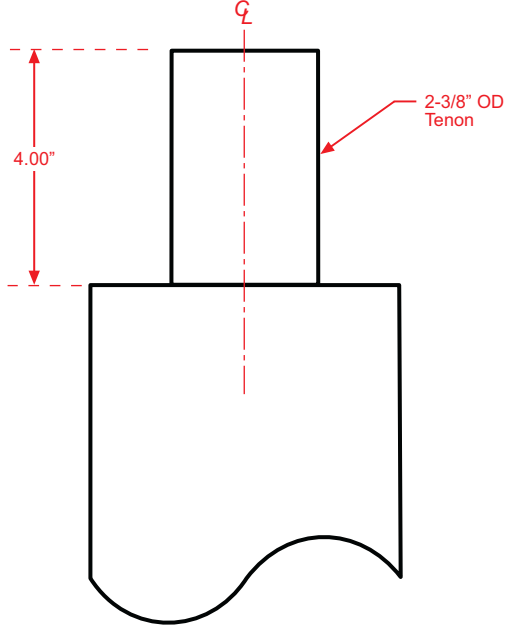
The following pole types and sizes will accommodate an Optra Arm Mounting configuration:

Round Pole 4" - 5"
Square Pole 4" - 6"

Mounting selection is specified on page 2.
 Specify either of the following arm mounts:

SR Arm Mount to Round Pole
SS Arm Mount to Square Pole

DRILL TEMPLATE NO. 13
 DXF file available for download at www.wide-lite.com
 keyword: drilltemplates



The following pole types and sizes will accommodate an Optra Post Top mounting configuration:

Round Pole 4" - 5"
Square Pole 4" - 5"

Mounting selection is specified on page 2.
 Specify one of the following post top mounts:

PTTR Post Top Tenon Mount to Round Pole
PTTS-4 Post Top Tenon Mount to 4" Square Pole
PTTS-5 Post Top Tenon Mount to 5" Square Pole

PATENT STATEMENT

Wide-Lite proudly stands behind this product, and it is our intention to diligently protect the technology that we have developed. The innovative design and unrivaled photometric performance of the Optra has several U.S. patents pending. Any patent conflicts will be prosecuted to the maximum extent possible under the law.



www.wide-lite.com
 CATALOG KEYWORD: OP



Wide-Lite
 a GENIYE company

P.O. Box 606 • San Marcos TX 78667-0606
 (512) 392-5821 • Fax (512) 753-1122

Specifications and dimensions are subject to change without notice.



Type:

Job:

Page 6 of 6

NOTES



ISO 9001
Certified

www.wide-lite.com
CATALOG KEYWORD: OP



Wide-Lite
a **GENLYTE** company

P.O. Box 606 • San Marcos TX 78667-0606
(512) 392-5821 • Fax (512) 753-1122

Specifications and dimensions are subject to change without notice.

