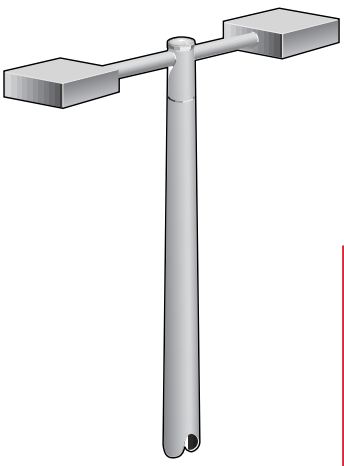
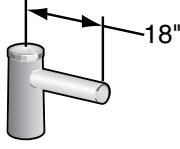
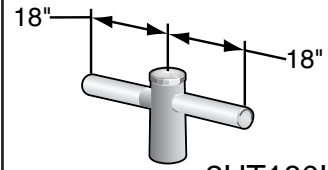
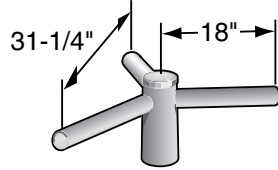
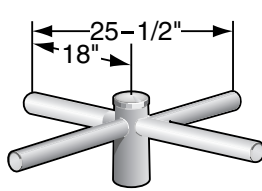


TOP MOUNT STRAIGHT FLOODLIGHT BRACKETS

Tenon loading is calculated for weights based on a 100 M.P.H. constant wind with a 1.3 gust factor located 30' above grade. When loading requirements exceed these limits contact your Valmont representative or Valmont Industries, Inc.

- 2-3/8" O.D. tenons and mounting arms - other sizes available upon request.
- Bracket hubs slipfit 3", 4", 4-1/2" and 6" O.D. pole tops or tenons.

ILLUSTRATION	DIMENSION	DESCRIPTION	MODEL NUMBER	EPA OF BRACKET	MAX WEIGHT LOAD PER TENON	MAX EPA LOAD PER TENON
		Single Arm Horizontal Mount	1HT90	.43	100	6.0
	 <p>2HT180H45 (H45=HUB MOUNT OVER 4.5" TOP)</p>	Double Arm 180° Horizontal Mount	2HT180	.65	100	6.0
		Triple Arm 120° Horizontal Mount	3HT120	.62	100	6.0
		Quad Arm 90° Horizontal Mount	4HT90	.70	100	6.0

SPC7087 08/07 www.valmontstructures.com carries the most current spec information and supercedes these guidelines.

Variations from sizes listed above are available upon inquiry at the factory.