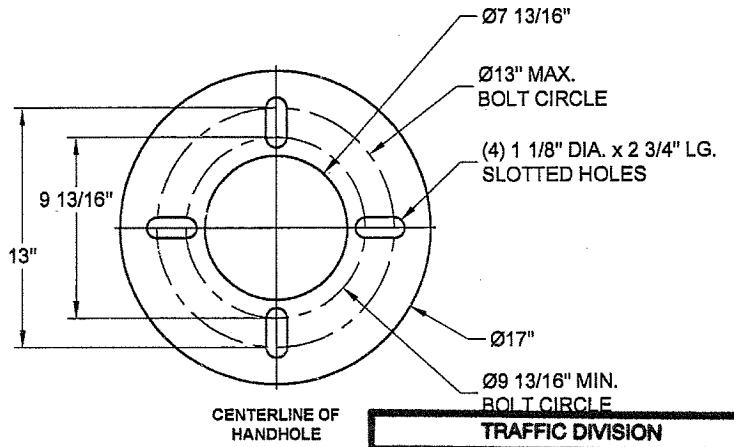
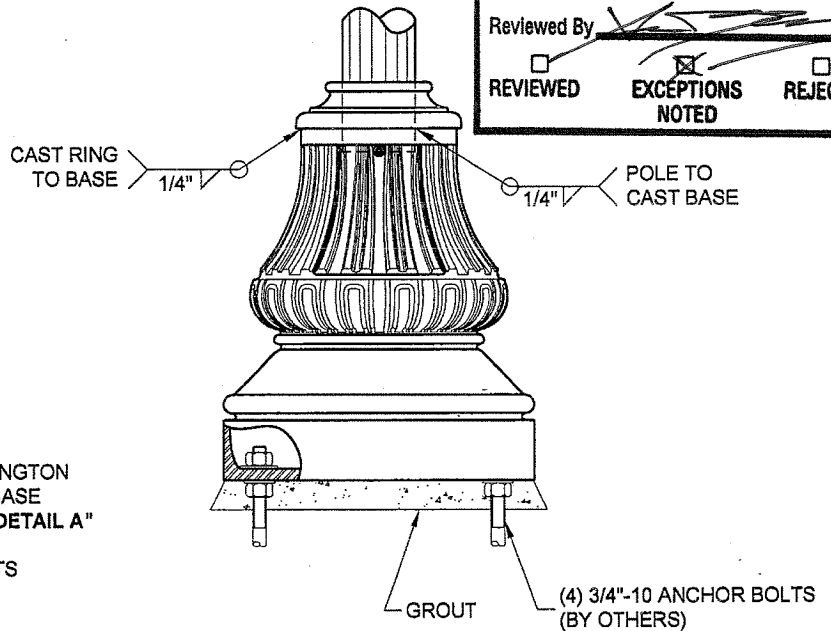


POLE RATING (PER AASHTO 1994):
WIND SPEED: 80 MPH MAX
GUST: 104 MPH MAX
EPA (LUMINAIRE): 8.0 SQ. FT. MAX
WEIGHT (LUMINAIRE): 60 LBS MAX



TRAFFIC DIVISION	
PUBLIC WORKS DEPARTMENT City of Overland Park, Kansas	
Date	8/11/2009
Reviewed By	<i>[Signature]</i>
<input type="checkbox"/> REVIEWED	<input checked="" type="checkbox"/> EXCEPTIONS NOTED
<input type="checkbox"/> REJECTED	<input type="checkbox"/> NOTED



Color shall be RAL 6012

DO NOT SCALE



Valmont Industries, Inc. Structures Division
 20805 Eaton Ave Farmington, Minnesota 55024-7932
 Phone: (651) 463-8990 (800) 899-7577
 Fax: (651) 463-3349

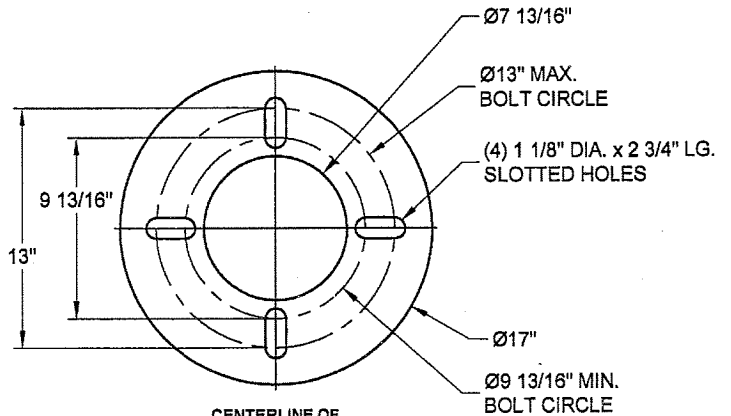
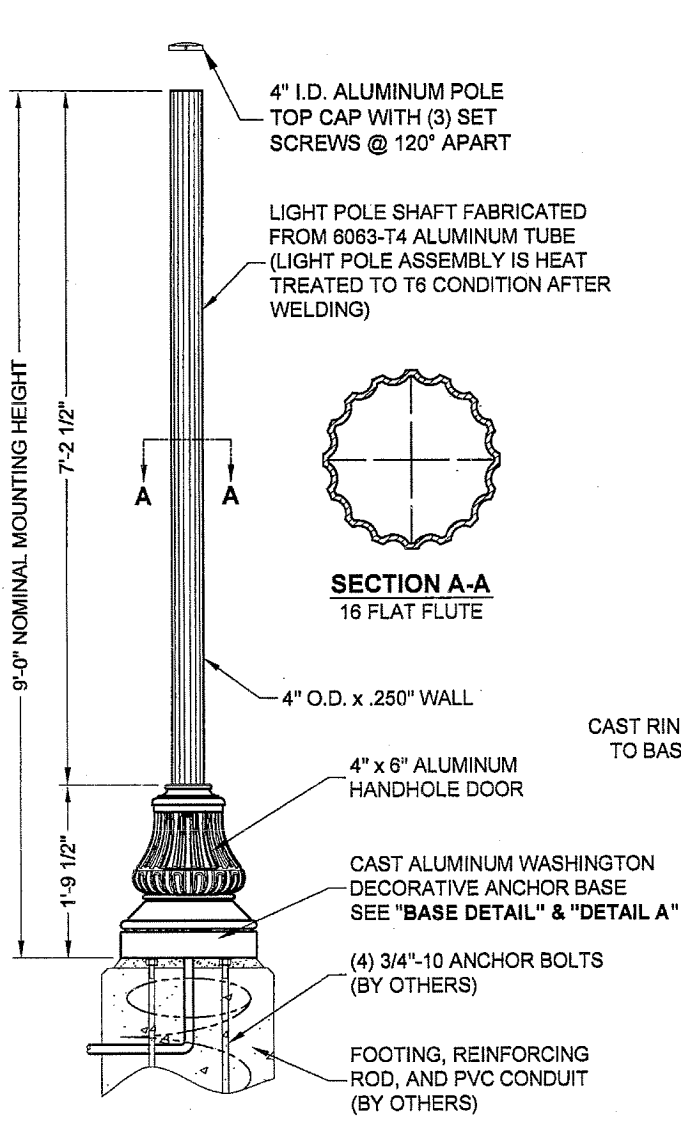
TITLE:	S WASHINGTON FLUTED POLES	QTY:	
MODEL NO.:		DWN BY:	SLF
MATERIAL:	ALUMINUM ALLOY	CHK'D BY:	
FINISH:	POWDER PAINT (HUNTER GREEN)	APPR BY:	JES
PROJECT:	CITY OF OVERLAND PARK	DATE:	6-17-09
SOLD TO:	LEMAC	DWG NO.:	LH99768
SHIP TO:	CITY OF OVERLAND PARK	PAGE:	
P.O. NO.:	290905	REV	
REP:	POWER EQUIPMENT SALES	DATE	

****CONFIDENTIAL****

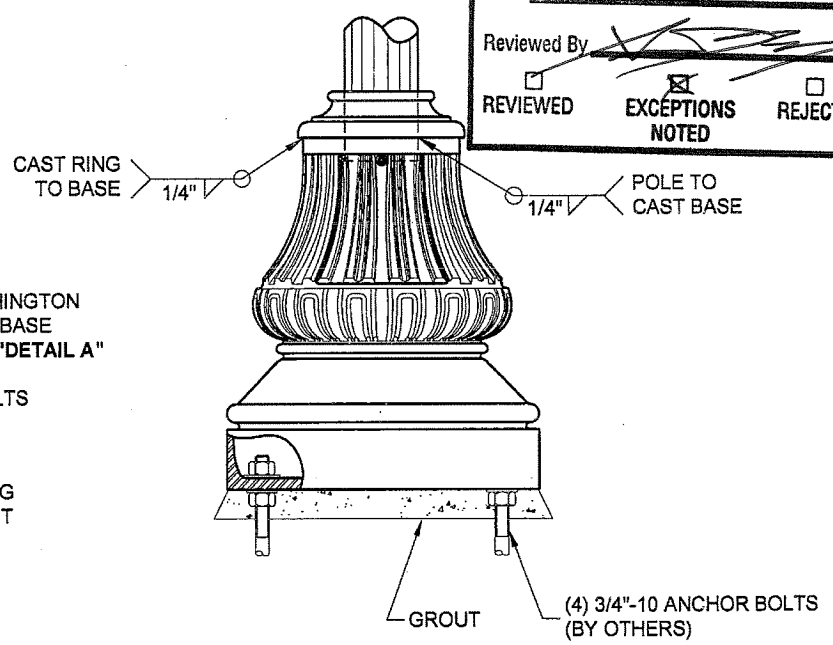
The information contained in this drawing is privileged and confidential, and may be protected from disclosure. Please be aware that any use or dissemination of this drawing may be subject to legal restriction or sanction.

△				
△				
△	07/28/09	ADDED EPA NOTE	SLF	
REV	DATE	REVISION DESCRIPTION	BY	1/2

POLE RATING (PER AASHTO 1994):
WIND SPEED: 80 MPH MAX
GUST: 104 MPH MAX
EPA (LUMINAIRE): 8.0 SQ. FT. MAX
WEIGHT (LUMINAIRE): 60 LBS MAX



TRAFFIC DIVISION		
PUBLIC WORKS DEPARTMENT		
City of Overland Park, Kansas		
Date	8/11/2009	
Reviewed By	<i>[Signature]</i>	
<input type="checkbox"/> REVIEWED	<input checked="" type="checkbox"/> EXCEPTIONS NOTED	<input type="checkbox"/> REJECTED



Color shall be RAL 6012

DO NOT SCALE

valmont

Valmont Industries, Inc. Structures Division
 20805 Eaton Ave Farmington, Minnesota 55024-7932
 Phone: (651) 463-8990 (800) 899-7577
 Fax: (651) 463-3349

TITLE: S WASHINGTON FLUTED POLES		QTY:
MODEL NO.:		DWN BY: SLF
MATERIAL: ALUMINUM ALLOY		CHKD BY:
FINISH: POWDER PAINT (HUNTER GREEN)		APPR BY: JOS
PROJECT: CITY OF OVERLAND PARK		DATE: 06/17/09
SOLD TO: LEMAC		DWG NO: LH99768
SHIP TO: CITY OF OVERLAND PARK		PAGE:
P.O. NO: 290905		BY: 2/2
REP: POWER EQUIPMENT SALES		
△		
△	07/28/09	ADDED EPA NOTE
REV	DATE	REVISION DESCRIPTION

****CONFIDENTIAL****

The information contained in this drawing is privileged and confidential, and may be protected from disclosure. Please be aware that any use or dissemination of this drawing may be subject to legal restriction or sanction.