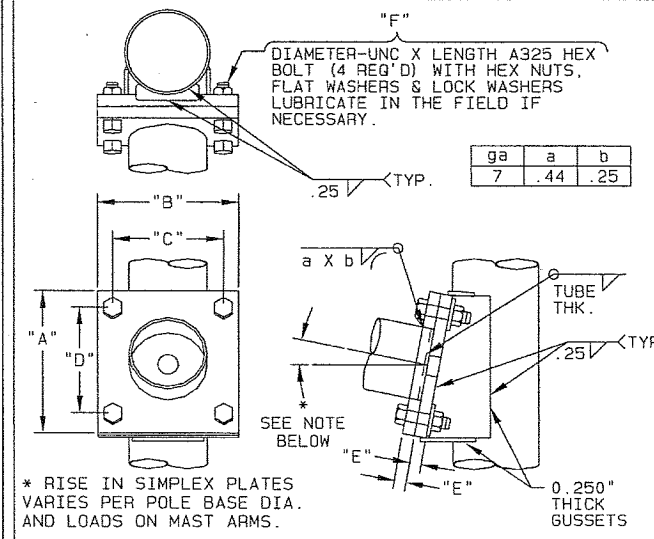
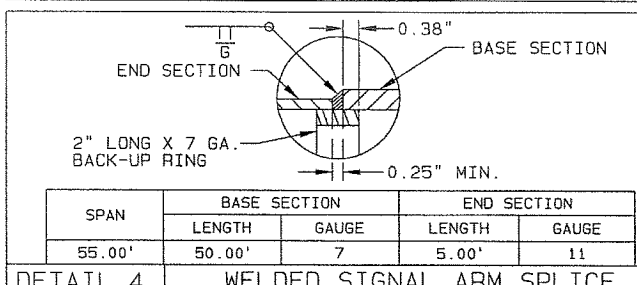
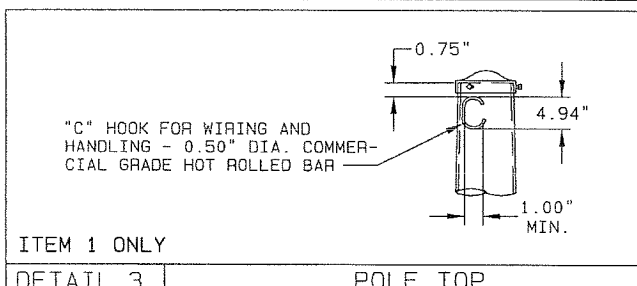
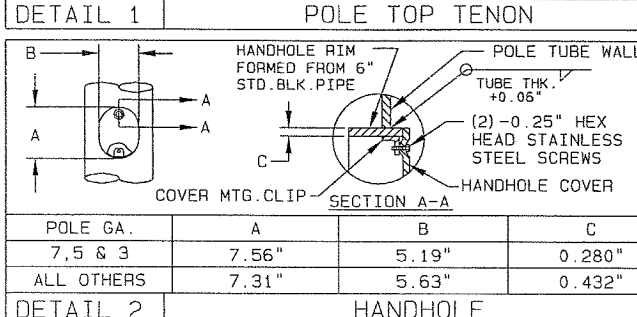
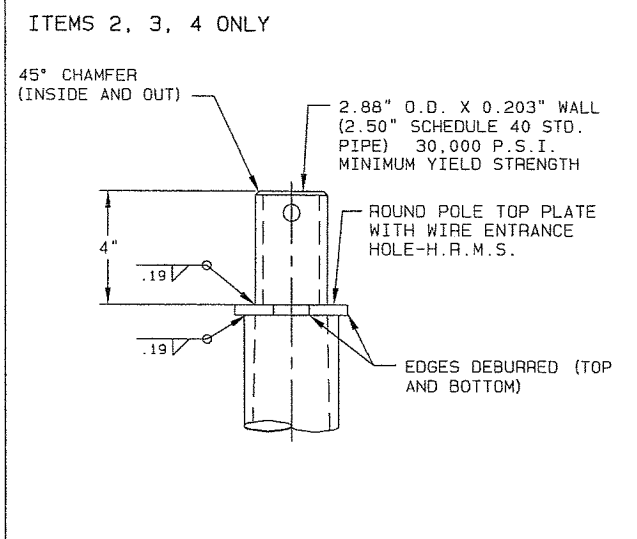
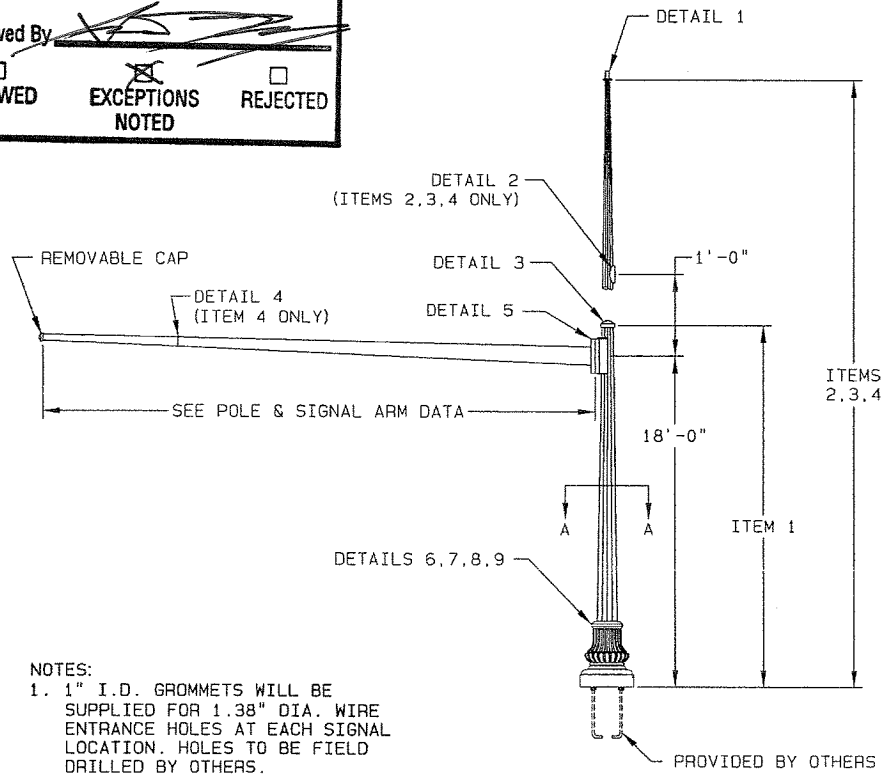


**TRAFFIC DIVISION**  
**PUBLIC WORKS DEPARTMENT**  
**City of Overland Park, Kansas**

Date: 8/11/2009

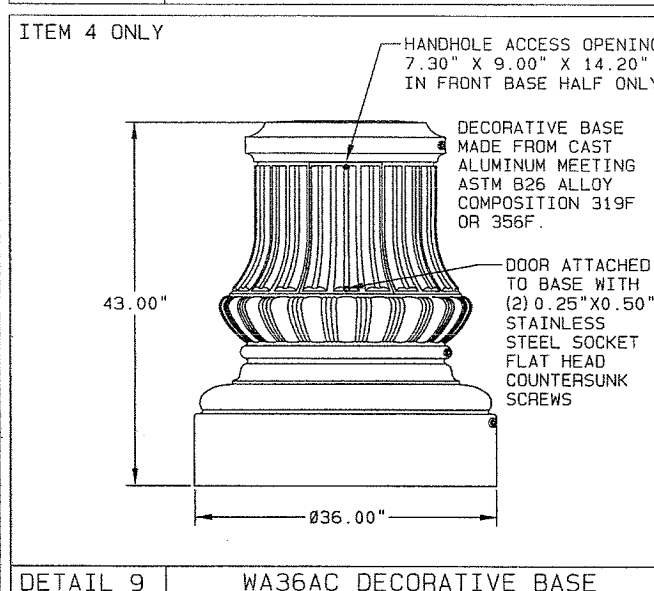
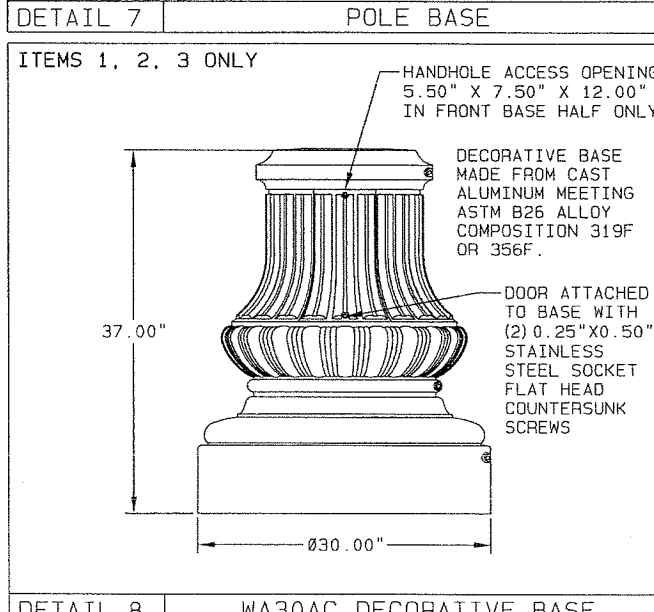
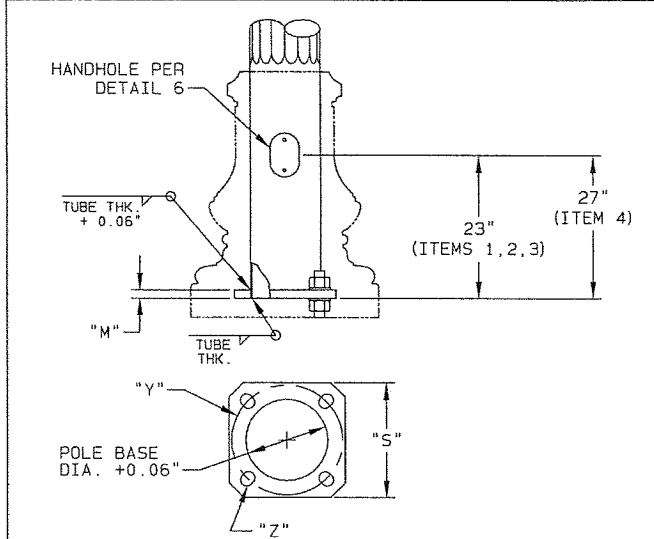
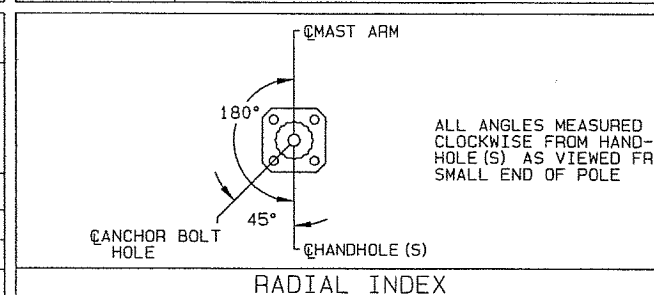
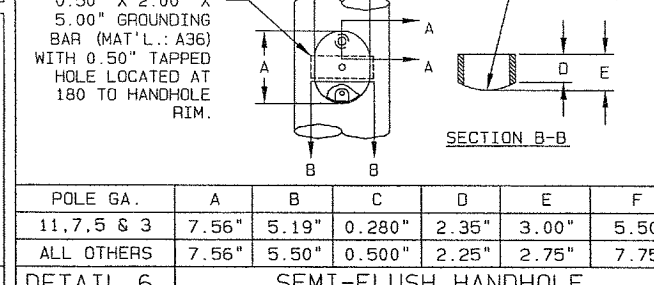
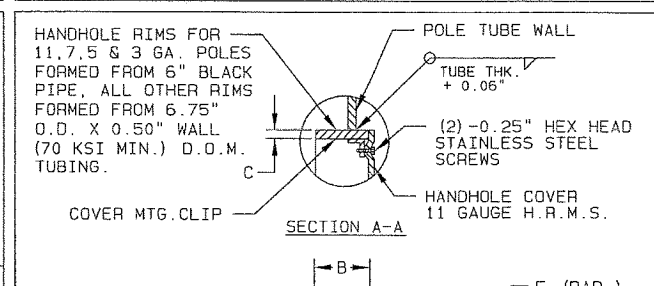
Reviewed By: [Signature]

REVIEWED     EXCEPTIONS NOTED     REJECTED



DETAIL 5 SIGNAL ARM ATTACHMENT

ITEM	"A"	"B"	"C"	"D"	"E"	"F"
1	16.75	16.75	14.00	14.00	1.50	1.00"-8 UNC X5.00"
2 & 3	17.75	17.75	15.00	15.00	1.75	1.00"-8 UNC X5.50"
4	18.25	18.25	15.50	15.50	1.75	1.00"-8 UNC X5.50"



MATERIAL DATA

COMPONENT	ASTM DESIGNATION	MIN. YIELD (KSI)
TAPERED TUBES	A595 GR. A OR A572	55
POLE BASE - 3 GA SHAFT	A36	36
POLE BASE - 0.25" SHAFT	A572 GR. 50	50
SIMPLEX PLATES	A36	36
GALVANIZING	A123 & A153	
SIGNAL ARM CONN. BOLTS	A325*	

\*LUBRICATE IN FIELD IF NECESSARY

BASE COAT: HOT DIP GALVANIZE TO ASTM A123  
 TIE COAT: POLYAMIDE EPOXY  
 FINISH COAT: ALIPHATIC ACRYLIC POLYURETHANE  
 COLOR: GREEN W/U-PACK / RAL 6012  
 VALMONT SPEC: F-3066G

DESIGN CRITERIA:  
 1994 AASHTO STANDARD SPECIFICATIONS FOR STRUCTURAL SUPPORTS FOR HIGHWAY SIGNS, LUMINAIRES, AND TRAFFIC SIGNALS.

WIND VELOCITY:  
 80 MPH ISOTACH.

LOADING:  
 MAXIMUM LOADING INFORMATION CAN BE SEEN ON PRE-APPROVED DRAWING, DB00175 REV. D.

FINISH NOTES

*Illuminated street name signs (19"x72", 125 lbs.) will be used rather than std. signs (8"x72", 20 lbs.)*

POLE AND SIGNAL ARM DATA

ITEM	QTY.	POLE TUBE				POLE BASE				ANCHOR BOLT			SIGNAL ARM TUBE				DECO BASE TYPE
		BASE DIA. (IN)	TOP DIA. (IN)	LENGTH (FT)	GAUGE OR THK. (IN)	SQUARE "S" (IN)	BOLT CIRCLE "Y" (IN)	THK. "M" (IN)	HOLE "Z" (IN)	DIA. "K" (IN)	LENGTH "J" (IN)	HOOK "H" (IN)	THREAD LENGTH "U" (IN)	FIXED END DIA. (IN)	FREE END DIA. (IN)	GAUGE OR THICK (IN)	
1	1	12.50	9.84	19.00	3	18.00	17.00	1.75	2.00	1.75	BY OTHERS		10.00	4.40	7	40.00	WA30AC
2	1	13.00	7.40	40.00	3	18.00	17.50	1.75	2.00	1.75	BY OTHERS		11.00	4.56	7	46.00	WA30AC
3	1	13.00	7.40	40.00	3	18.00	17.50	1.75	2.00	1.75	BY OTHERS		11.00	4.28	7	48.00	WA30AC
4	1	14.00	8.40	40.00	0.250	19.00	19.00	1.75	2.00	1.75	BY OTHERS		12.00	4.18	DET. 4	55.00	WA36AC

SOLD TO: LEMAC  
 SHIP TO: CITY OF OVERLAND PARK  
 P.O. #: 290906  
 AGENT: POWER EQUIPMENT SALES

JOB CITY OF OVERLAND PARK, KS  
 95TH STREET & NALL AVENUE

VALMONT INDUSTRIES, INC. RESERVES THE RIGHT TO INSTALL VARIOUS, ENGINEER APPROVED, MATERIAL HANGING ACCOMMODATIONS TO FACILITATE THE MANUFACTURING PROCESS.

TITLE TRAFFIC SIGNAL STRUCTURES

ORDER NUMBER: 100405-P2  
 PAGE NUMBER: 1 OF 1  
 DRAWING NUMBER: KS100405P2  
 REV: A

valmont  
 Valley, NE 68064  
 (402) 359-2201