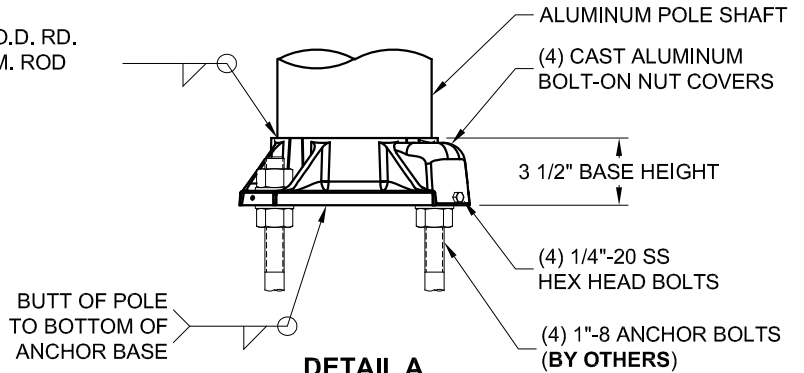
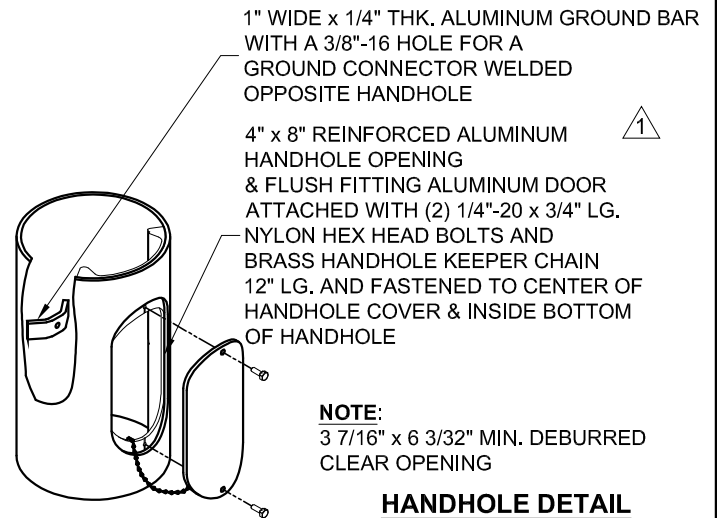


DETAIL B



DETAIL A



HANDHOLE DETAIL

POLE RATING (PER AASHTO 2013):
3-SEC GUST WIND SPEED: 90 MPH MAX
EPA (LUMINAIRE): 1.3 SQ. FT. MAX
WEIGHT (LUMINAIRE): 55 LBS MAX

DO NOT SCALE

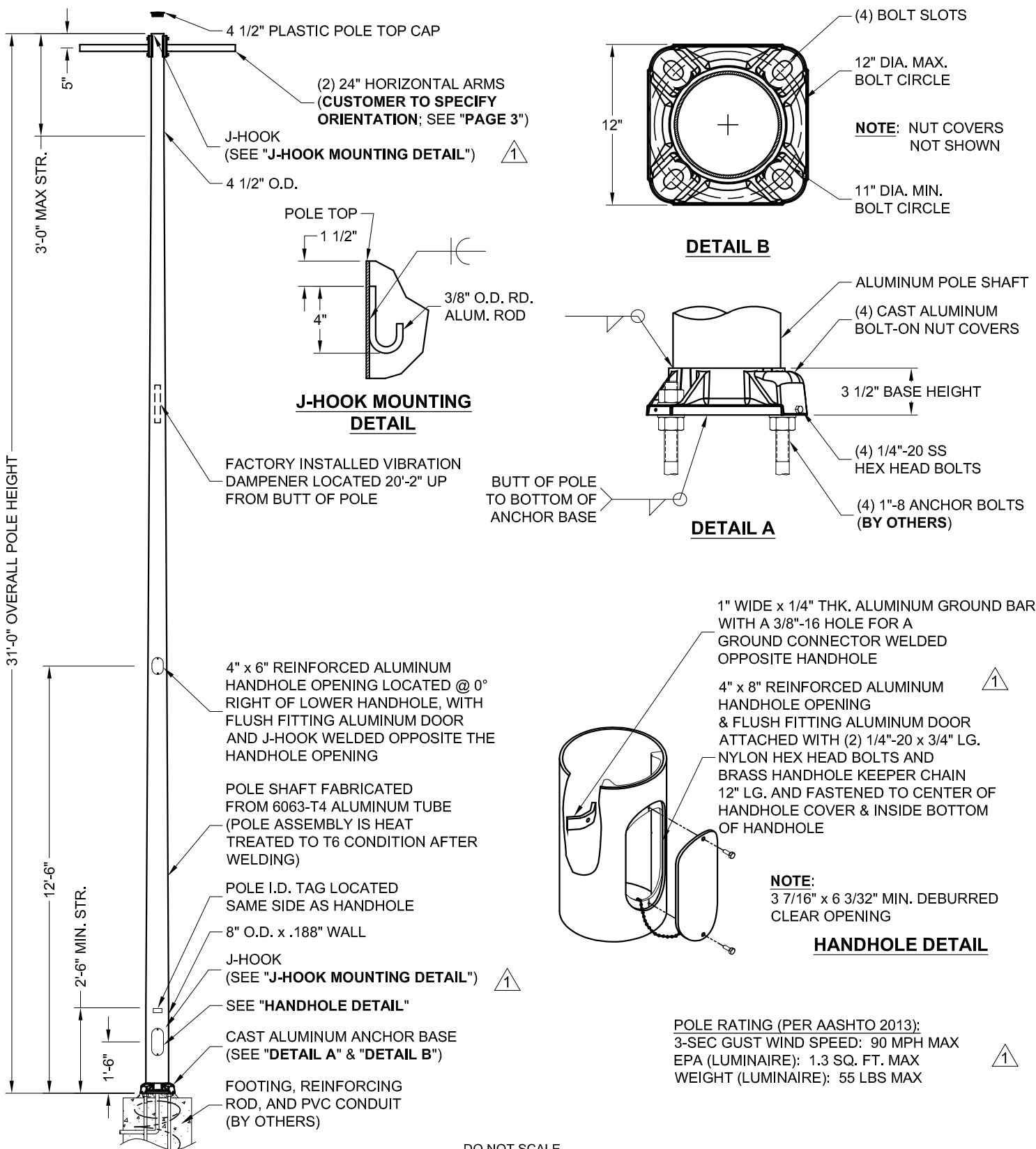


Valmont Industries, Inc. Structures Division
20805 Eaton Ave Farmington, Minnesota 55024-7932
Phone: (651) 463-8990 (800) 899-7577
Fax: (651) 463-3349

****CONFIDENTIAL****

The information contained in this drawing is privileged and confidential, and may be protected from disclosure. Please be aware that any use or dissemination of this drawing may be subject to legal restriction or sanction.

TITLE: S ANCHOR BASE POLE		QTY: 22
MODEL NO.: 310045806T4B		DWN BY: HJT
MATERIAL: ALUMINUM ALLOY		CHK'D BY:
FINISH: 100 GRIT SATIN FINISH		APPR BY: KGB
PROJECT: OVERLAND PARK PARKING LOT NORTH		DATE: 03-24-20
SOLD TO: GRAYBAR		DWG NO: A442928
SHIP TO:		PAGE: 1 / 3
P.O. NO: 4703081222		
REP: PREMIER LIGHTING & CONTROLS		
△		
△		
△	04-16-20	REV HH DETAIL, ADDED J-HOOK & REMOVED HH
REV	DATE	REVISION DESCRIPTION
		BY



DO NOT SCALE

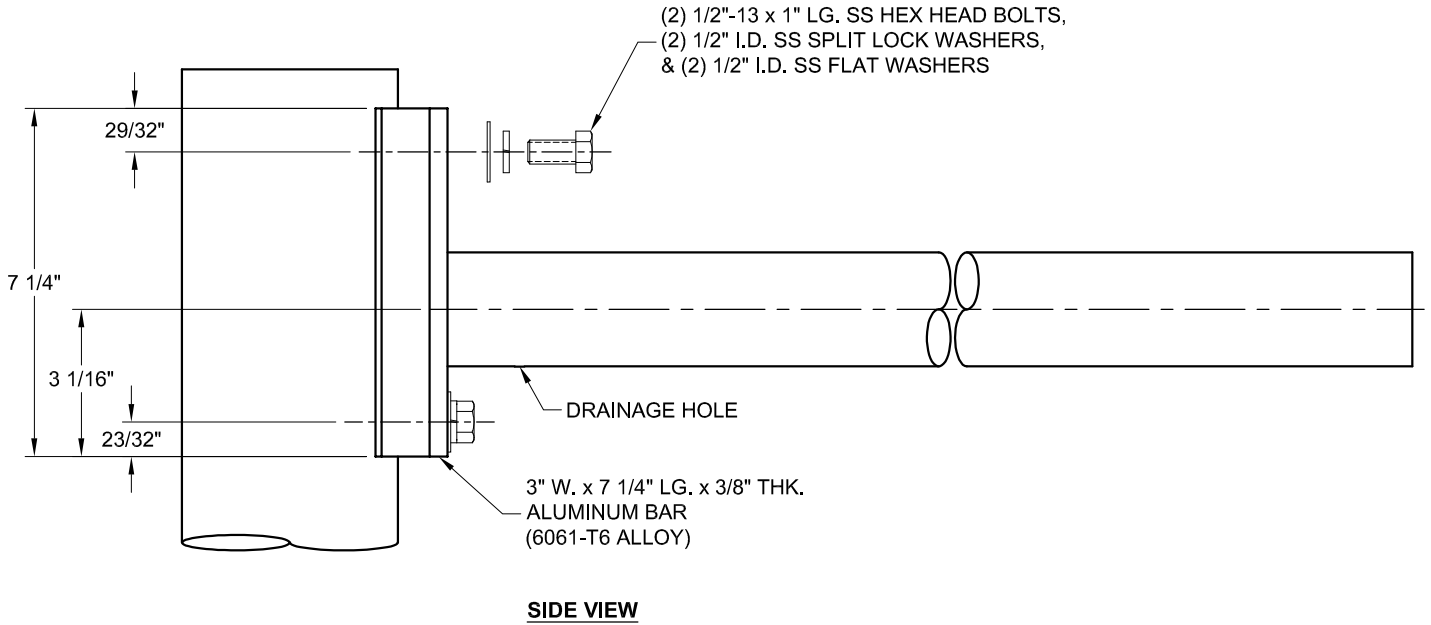
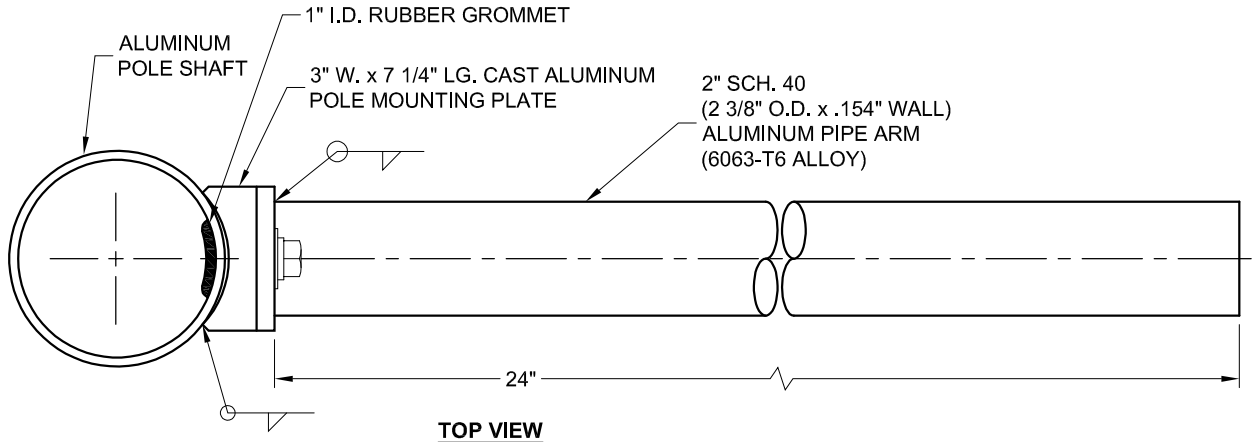


Valmont Industries, Inc. Structures Division
 20805 Eaton Ave Farmington, Minnesota 55024-7932
 Phone: (651) 463-8990 (800) 899-7577
 Fax: (651) 463-3349

****CONFIDENTIAL****

The information contained in this drawing is privileged and confidential, and may be protected from disclosure. Please be aware that any use or dissemination of this drawing may be subject to legal restriction or sanction.

TITLE: S ANCHOR BASE POLE		QTY: 9
MODEL NO.: 310045806T4B		DWN BY: HJT
MATERIAL: ALUMINUM ALLOY		CHK'D BY:
FINISH: 100 GRIT SATIN FINISH		APPR BY: KGB
PROJECT: OVERLAND PARK PARKING LOT NORTH		DATE: 03-24-20
SOLD TO: GRAYBAR		DWG NO: A442928
SHIP TO:		PAGE: 2 / 3
P.O. NO: 4703081222		BY:
REP: PREMIER LIGHTING & CONTROLS		
△		
△		
△	04-16-20	REV HH DETAIL, ADDED J-HOOK & REMOVED HH
REV	DATE	REVISION DESCRIPTION



DO NOT SCALE



Valmont Industries, Inc. Structures Division
20805 Eaton Ave Farmington, Minnesota 55024-7932
Phone: (651) 463-8990 (800) 899-7577
Fax: (651) 463-3349

TITLE:	S	1 LT SIDE MT BKT HZ 2.4" x 24"L
MODEL NO.:	1HS23824	
MATERIAL:	ALUMINUM ALLOY	
FINISH:	100 GRIT SATIN FINISH	
PROJECT:	OVERLAND PARK PARKING LOT NORTH	
SOLD TO:	GRAYBAR	
SHIP TO:		
P.O. NO:	4703081222	
REP:	PREMIER LIGHTING & CONTROLS	

QTY:	58
DWN BY:	HJT
CHK'D BY:	
APPR BY:	KGB
DATE:	03-24-20
DWG NO:	A442928
PAGE:	

****CONFIDENTIAL****

The information contained in this drawing is privileged and confidential, and may be protected from disclosure. Please be aware that any use or dissemination of this drawing may be subject to legal restriction or sanction.

△				
△				
△				
REV	DATE	REVISION DESCRIPTION	BY	3 / 3