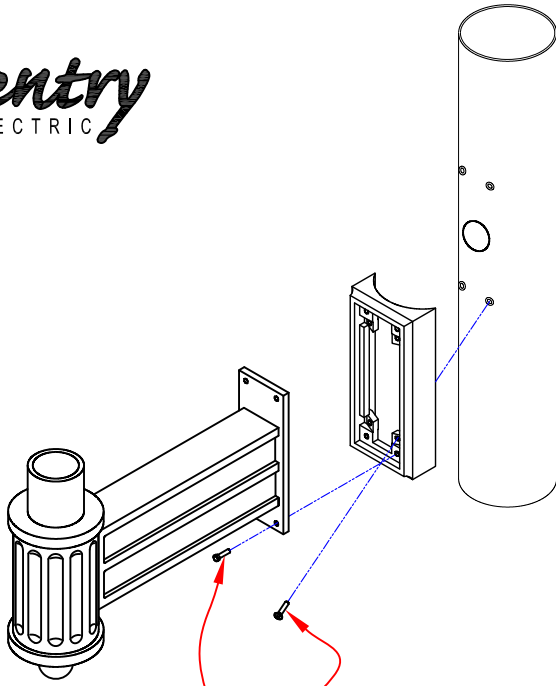
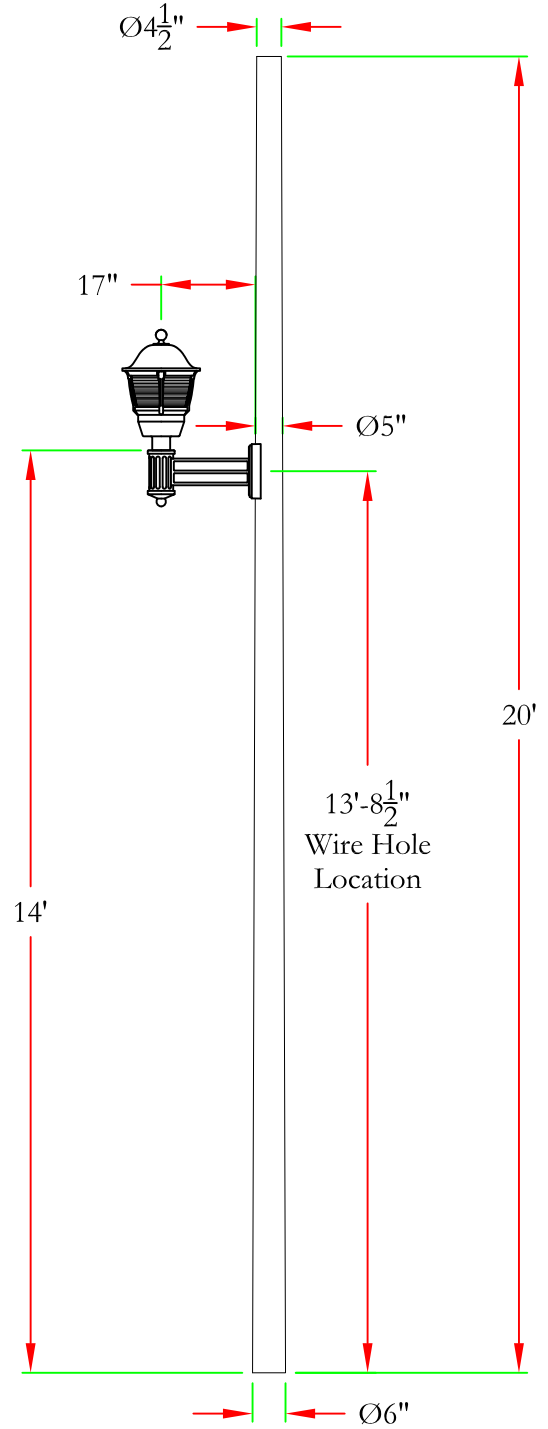
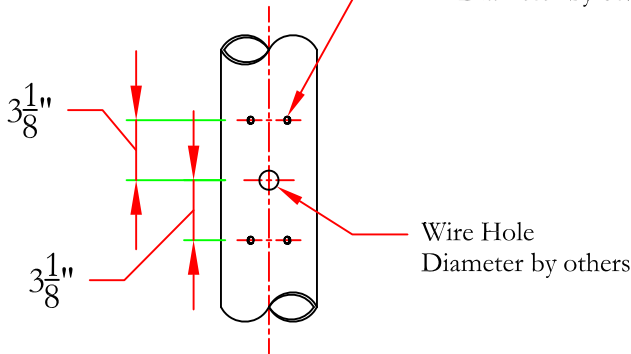
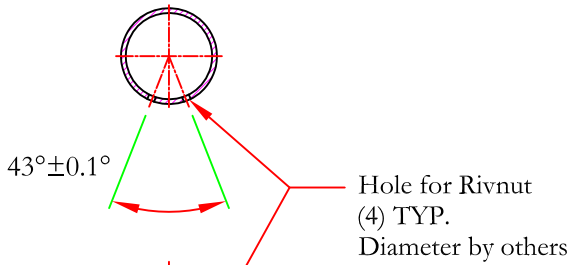


Sentry
ELECTRIC



(4) 5/16"-18 UNC x 1" LONG
HEX HEAD
S.S. SCREWS SUPPLIED

(4) 5/16"-18 UNC x 1" LONG
FLAT HEAD
S.S. SCREWS SUPPLIED



Assembly Drawing:
Luminaire: SLH
Bracket: SAL-WSB-PB

UNAUTHORIZED USE, MANUFACTURE OR REPRODUCTION IN WHOLE OR IN PART IS PROHIBITED. DRAWING, DESIGN AND OTHER DISCLOSURES ARE THE PROPERTY OF

SENTRY ELECTRIC LLC
FREEPORT, N.Y. 11520

Sentry Sentry Electric LLC **Sentry**
185 Buffalo Avenue, Freeport, New York 11520

Tel 516-379-4660

Fax 516-378-0624

www.sentrylighting.com

E-mail: info@sentrylighting.com

SAL-WSB-PB mounting provision for Cell Phone Pole
Overland Park

DATE 06-26-2020

DRAWN L.A.

SCALE NTS

DWG NO.

REV

ENGINEER S. KAY

SHEET 1 OF 1

19-119-I101