

STAINLESS STEEL  
NEMA 3RX  
SCREW COVER

3-POINT, KEYLOCKING/  
PADLOCKING HANDLE H - 8.75  
**WIEGMANN**

Commercial and Industrial Enclosures

(H @ 10.75)  
OPENING

(3 PER SIDE)

1.00 I/S  
TYP.

W - 2.2  
TYP.

**WIEGMANN**

# STAINLESS STEEL NEMA 3RX SCREW COVER



RSC081206NKSS

## Application

The Wiegmann Stainless Steel RSC Series enclosure is designed for use as a wiring or junction box. This enclosure can be used indoors or outdoors and provides protection from rain, sleet, snow, or dripping water. Can also be used in corrosive environments.

## Industry Standards

- UL 50, Types 1, 3R, & 3RX
- CSA Certified, Types 1, 3R, & 3RX
- NEMA/EEMAC Types 1, 3R, & 3RX

c  us File E23553

## Product Features

- Body and cover are fabricated from 304 stainless steel
- A slip-on reversible cover is securely fastened with screws located along the bottom edge
- Mounting holes are located on the back of the enclosure
- No gasketing is required
- Hasp for padlocking or meter seal is provided

### RSC-NKSS SERIES SCREW-COVER STAINLESS STEEL ENCLOSURES

Catalog Number	Enclosure Size HxWxD	Mounting A x B
RSC040404NKSS*Δ	4.06 x 4.12 x 4.06 (103 x 105 x 103)	—
RSC040604NKSS*Δ	6.06 x 4.12 x 4.06 (154 x 105 x 103)	—
RSC060604NKSS	6.06 x 6.12 x 4.06 (154 x 155 x 103)	3.00 x 3.00 (76 x 76)
RSC060804NKSS	8.06 x 6.12 x 4.06 (205 x 155 x 103)	5.00 x 3.00 (127 x 76)
RSC080804NKSS	8.06 x 8.12 x 4.06 (205 x 206 x 103)	5.00 x 5.00 (127 x 127)
RSC081004NKSS	10.06 x 8.12 x 4.06 (256 x 206 x 103)	7.00 x 5.00 (178 x 127)
RSC101004NKSS	10.06 x 10.12 x 4.06 (256 x 257 x 103)	7.00 x 7.00 (178 x 178)
RSC101204NKSS	12.06 x 10.12 x 4.06 (306 x 257 x 103)	9.00 x 7.00 (229 x 178)
RSC121204NKSS	12.06 x 12.12 x 4.06 (306 x 308 x 103)	9.00 x 9.00 (229 x 229)
RSC121504NKSS	15.06 x 12.12 x 4.06 (383 x 308 x 103)	12.00 x 9.00 (305 x 229)
RSC181804NKSS	18.06 x 18.12 x 4.06 (459 x 460 x 103)	15.00 x 15.00 (381 x 381)
RSC060606NKSS	6.06 x 6.12 x 6.06 (154 x 155 x 154)	3.00 x 3.00 (76 x 76)
RSC060806NKSS	8.06 x 6.12 x 6.06 (205 x 155 x 154)	5.00 x 3.00 (127 x 76)
RSC080806NKSS	8.06 x 8.12 x 6.06 (205 x 206 x 154)	5.00 x 5.00 (127 x 127)
RSC081006NKSS	10.06 x 8.12 x 6.06 (256 x 206 x 154)	7.00 x 5.00 (178 x 127)
RSC081206NKSS	12.06 x 8.12 x 6.06 (306 x 206 x 154)	9.00 x 5.00 (229 x 127)

\*Two mounting holes centered vertically Δ No hasp or meter seal provided



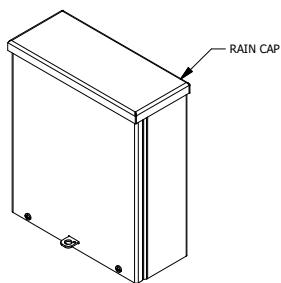
COMMERCIAL CONSTRUCTION  
A Division of Hubbell Incorporated (Delaware)

[www.hubbell.com/wiegmann/en](http://www.hubbell.com/wiegmann/en)

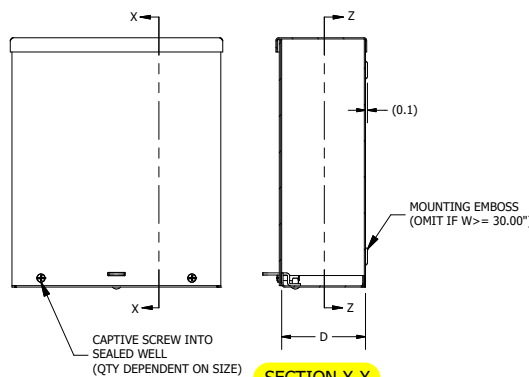
WG-013  
©2018 Hubbell Incorporated (Delaware)

RSC-NKSS SERIES SCREW-COVER STAINLESS STEEL ENCLOSURES CONT.

Catalog Number	Enclosure Size HxWxD	Mounting A x B
RSC101006NKSS	10.06 x 10.12 x 6.06 (256 x 257 x 154)	7.00 x 7.00 (178 x 178)
RSC101206NKSS	12.06 x 10.12 x 6.06 (306 x 257 x 154)	9.00 x 7.00 (229 x 178)
RSC121206NKSS	12.06 x 12.12 x 6.06 (306 x 308 x 154)	9.00 x 9.00 (229 x 229)
RSC121506NKSS	15.06 x 12.12 x 6.06 (383 x 308 x 154)	12.00 x 9.00 (305 x 229)
RSC121806NKSS	18.06 x 12.12 x 6.06 (459 x 308 x 154)	15.00 x 9.00 (381 x 229)
RSC151806NKSS	18.06 x 15.12 x 6.06 (459 x 384 x 154)	15.00 x 12.00 (381 x 305)
RSC181806NKSS	18.06 x 18.12 x 6.06 (459 x 460 x 154)	15.00 x 15.00 (381 x 381)
RSC182406NKSS	24.06 x 18.12 x 6.06 (611 x 460 x 154)	21.00 x 15.00 (533 x 381)
RSC242406NKSS	24.07 x 24.15 x 6.07 (611 x 613 x 154)	21.00 x 21.00 (533 x 533)
RSC121208NKSS	12.06 x 12.12 x 8.06 (306 x 308 x 205)	9.00 x 9.00 (229 x 229)
<b>RSC121808NKSS</b>	<b>18.06 x 12.12 x 8.06 (459 x 308 x 205)</b>	<b>15.00 x 9.00 (381 x 229)</b>
RSC151808NKSS	18.06 x 15.12 x 8.06 (459 x 384 x 205)	15.00 x 12.00 (381 x 305)
RSC181808NKSS	18.06 x 18.12 x 8.06 (459 x 460 x 205)	15.00 x 15.00 (381 x 381)
RSC182408NKSS	24.06 x 18.12 x 8.06 (611 x 460 x 205)	21.00 x 15.00 (533 x 381)
RSC202408NKSS	24.06 x 20.12 x 8.06 (611 x 511 x 205)	21.00 x 17.00 (533 x 432)
RSC242408NKSS	24.07 x 24.15 x 8.07 (611 x 613 x 205)	21.00 x 21.00 (533 x 533)
RSC243008NKSS	30.07 x 24.15 x 8.07 (764 x 613 x 205)	27.00 x 21.00 (686 x 533)
RSC121210NKSS	12.06 x 12.12 x 10.06 (306 x 308 x 256)	9.00 x 9.00 (229 x 229)
RSC161610NKSS	16.06 x 16.12 x 10.06 (408 x 409 x 256)	13.00 x 13.00 (330 x 330)
RSC242412NKSS	24.07 x 24.15 x 12.07 (611 x 613 x 307)	21.00 x 21.00 (533 x 533)
RSC243612NKSS	36.07 x 24.15 x 12.07 (916 x 613 x 307)	33.00 x 21.00 (838 x 533)
RSC303012NKSS	30.10 x 30.21 x 12.10 (765 x 767 x 307)	27.00 x 27.00 (686 x 686)
RSC303612NKSS	36.10 x 30.21 x 12.10 (917 x 767 x 307)	33.00 x 27.00 (838 x 686)
RSC363612NKSS	36.10 x 36.21 x 12.10 (917 x 920 x 307)	33.00 x 33.00 (838 x 838)
RSC242416NKSS	24.07 x 24.15 x 16.07 (611 x 613 x 408)	21.00 x 21.00 (533 x 533)
RSC303016NKSS	30.10 x 30.21 x 16.10 (765 x 767 x 409)	27.00 x 27.00 (686 x 686)
RSC363616NKSS	36.10 x 36.21 x 16.10 (917 x 920 x 409)	33.00 x 33.00 (838 x 838)
RSC364816NKSS	48.10 x 36.21 x 16.10 (1222 x 920 x 409)	45.00 x 33.00 (1143 x 838)

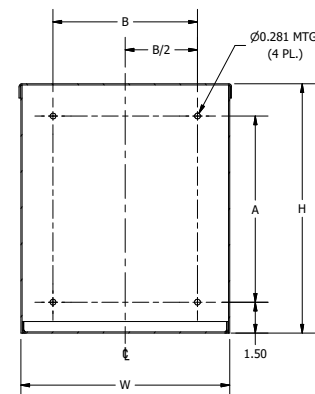


ISO VIEW

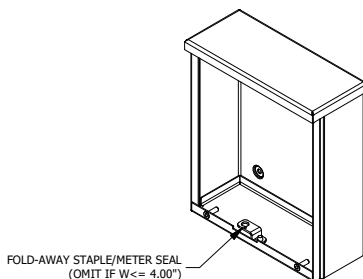


FRONT VIEW

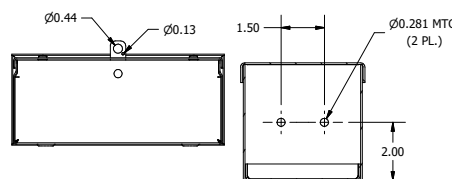
SECTION X-X



SECTION Z-Z

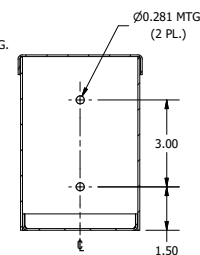


ISO VIEW, LID REMOVED



BOTTOM VIEW

4 X 4 MOUNTING



6 X 4 MOUNTING