

Catalog Number	W4GLED 30C1000 40K T3M MVOLT SPD PR7 BZSPD	
Notes	Type	

Wallpack® LED



LVG - Vandal guard



LWG - Wire guard

Description

Perimeter and security lighting requires excellent control and uniformity while minimizing light trespass and glare. The W4GLED/W4PLED Wallpack LED luminaires excel at this, requiring fewer luminaires to achieve required light levels in infrastructure, industrial and municipal applications. With energy cost reductions up to 77% and expected service life of over 20 years, Wallpack LED provides the latest lighting technology from the company that introduced the very first Wallpack to the market.

Optics

- The W4G uses a tempered glass lens and the W4P uses a protective polycarbonate lens that covers the light engine's precision-molded proprietary acrylic lenses.
- Type 3 medium
- Type 3 short (IP66 rated light engine)

Mechanical

- The housing is constructed of die-cast aluminum and is fully gasketed for ease of maintenance
- The LED driver is mounted to the front casting to thermally isolate it from the light engine for low operating temperature and long life
- Housing is completely sealed against moisture and environmental contaminants, IP55
- Exterior parts are protected by a zinc-infused Super Durable TGIC thermoset powder coat finish that provides superior resistance to corrosion and weathering.
- A tightly controlled multi-stage process ensures a minimum 3 mils thickness for a finish that can withstand extreme climate changes without cracking or peeling.

Electrical

- Light engine(s) consist of 10-30 high-efficacy LEDs mounted to a metal-core circuit board and integral aluminum heat sink to maximize heat dissipation and promote long life
- The dimmable electronic driver has a power factor of >90%, THD <20%
- SPD: 20kV/10kA standard
- CCT: 3000K, 4000K, 5000K
- CRI: 70CRI
- Integrated emergency backup on W4GLED with T3M option

Installation

- Top 3/4" threaded wiring access
- Back access through removable 3/4" knockout
- Feed-thru wiring can be achieved by using a conduit tee

Certification and Standards

- UL listed for wet locations. Rated for -40°C to 40°C ambient, refer to page 4 for details
- LM-79 compliant
- The projected LED Lumen Maintenance shall be based only on IES LM-80-08 and TM-21

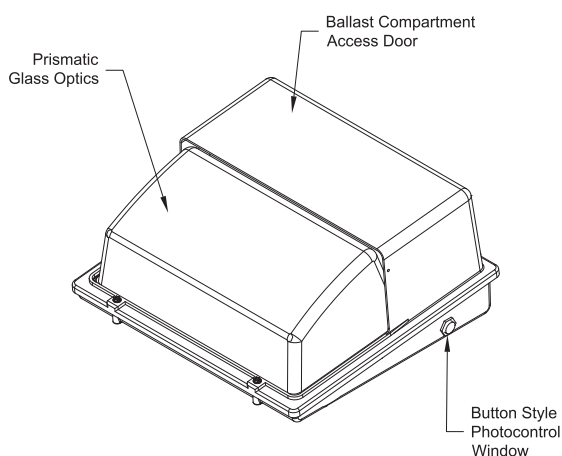
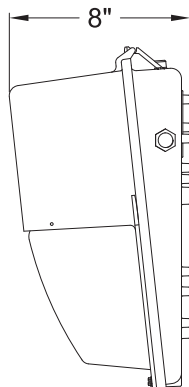
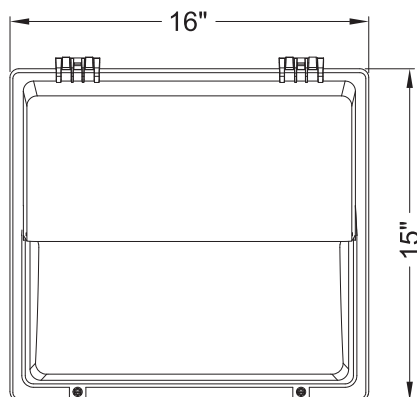
Warranty

5-year limited warranty. This is the only warranty provided and no other statements in this specification sheet create any warranty of any kind. All other express and implied warranties are disclaimed. Complete warranty terms located at: www.acuitybrands.com/support/warranty/terms-and-conditions

Note: Actual performance may differ as a result of end-user environment and application. All values are design or typical values, measured under laboratory conditions at 25°C.



DIMENSIONAL DATA



ORDERING INFORMATION *Italicized and Blue INDICATES OPTIONS ONLY AVAILABLE WITH W4GLED*

Example: W4GLED 30C1000 40K T3S MVOLT SPD PR7 BZSDP

W4GLED		30C1000		40K		T3M		MVOLT		SPD		
Series		Performance Package		Color Temperature		Distribution		Voltage		Surge Protection		
W4GLED	Wallpack IV Glass LED	<i>10C1000</i>	<i>10 LED</i>	30K	3000 series CCT	T3M	Type III Medium	MVOLT	Multi-volt: 120-277 volt		SPD	20kV/10kA (Standard)
W4PLED	Wallpack IV Plastic LED	<i>20C1000</i>	<i>20 LED</i>	40K	4000 series CCT	T3S	Type III Short	120	120 Volt			
		30C1000	30 LED	50K	5000 series CCT			208	208 Volt			
		10C700	10 LED					240	240 Volt			
		20C700	20 LED					277	277 Volt			
		30C700	30 LED					347 ¹	347 Volt			
								480 ¹	480 Volt			

PR7		Options		BZSDP	
Control Options		Options		Super Durable Paint	
PCB ²	Button Style Photoelectric Cell	AO ⁴	<i>Field Adjustable Output</i>	BKSDP	Black Super Durable Paint
PR3 ³	<i>N.E.M.A. Twistlock 3-pin Receptacle - Control not included</i>	SF	Single Fusing	BZSDP	Bronze Super Durable Paint
PR7 ³	<i>N.E.M.A. Twistlock 7-pin Receptacle - Control not included</i>	DF	Double Fusing	GYS DP	Grey Super Durable Paint
		TPS	Tamper resistant screws	WHSDP	White Super Durable Paint
		NOM ⁵	NOM Certified		
		ELSW ⁶	<i>Emergency Battery Backup (Standard 0°C)</i>		
		ELCW ⁶	<i>Emergency Battery Backup (Cold Weather -20°C)</i>		
		LWG ⁷	<i>Wire Guard</i>		
		LVG ⁸	<i>Vandal Guard</i>		

SH U	
Accessories: Order as separate catalog number.	
DLL127F 1.5 JU ⁹	Photocell - SSL Twist-Lock (120-277V)
DLL347 1.5 CUL JU ⁹	Photocell - SSL Twist-Lock (347V)
DLL480 1.5 CUL JU ⁹	Photocell - SSL Twist-Lock (480V)
SH U¹⁰	Shorting Cap
W4GVGU	Vandal Guard
W4GWGU	Wire Guard

Notes

- 1 Not available with 10C1000
- 2 Not available with 480V
- 3 Available Only with W4G
- 4 Not available with 10C1000
- 5 Available with T3M only
- 6 Not Available 30C Performance Package. Not Available 347, 480 Voltage. Not Available PE, P3, P7 Control.
- 7 Not available with LVG option. Casting is pre-drilled for guard. Vandal guard ships separately.
- 8 Not available with LWG option. Casting is pre-drilled for guard. Vandal guard ships separately.
- 9 Only available with PR3 control option (ships separately)
- 10 Not available with PCB option

OPTIONS MATRIX

Parameters		Voltage Options by LED Package			SELECTED OPTION											
		10Cxxxx	20Cxxxx	30Cxxxx	A0	PCB	PR3	PR7	SF	DF	TPS	NOM	ELSW	ELCW	LWG	LVG
LED Package	10Cxxxx				N	Y	W4G	W4G	Y	Y	Y	T3M	W4GM	W4GM	Y	W4G
	20Cxxxx				Y	Y	W4G	W4G	Y	Y	Y	T3M	W4GM	W4GM	Y	W4G
	30Cxxxx				Y	Y	W4G	W4G	Y	Y	Y	T3M	N	N	Y	W4G
Voltage	MVOLT	Y	Y	Y	Y	Y	W4G	W4G	Y	N	Y	T3M	W4GM	W4GM	Y	W4G
	120	Y	Y	Y	Y	Y	W4G	W4G	Y	Y	Y	T3M	W4GM	W4GM	Y	W4G
	208	Y	Y	Y	Y	Y	W4G	W4G	Y	Y	Y	T3M	W4GM	W4GM	Y	W4G
	240	Y	Y	Y	Y	Y	W4G	W4G	Y	Y	Y	T3M	W4GM	W4GM	Y	W4G
	277	Y	Y	Y	Y	Y	W4G	W4G	Y	Y	Y	T3M	W4GM	W4GM	Y	W4G
	347	N	Y	Y	Y	Y	W4G	W4G	Y	Y	Y	T3M	N	N	Y	W4G
	480	N	Y	Y	Y	N	W4G	W4G	Y	Y	Y	T3M	N	N	Y	W4G
Optic	T3M				Y	Y	W4G	W4G	Y	Y	Y	T3M	W4GM	W4GM	Y	W4G
	T3S				W4G	Y	W4G	W4G	Y	Y	Y	N	N	N	Y	W4G
Controls	A0					Y	W4G	W4G	Y	Y	Y	T3M	W4GM	W4GM	Y	W4G
	PCB				Y		N	N	Y	N	Y	T3M	N	N	Y	W4G
	PR3				W4G	N		N	W4G	W4G	W4G	W4GM	N	N	W4G	W4G
	PR7				W4G	N	N		W4G	W4G	W4G	W4GM	N	N	W4G	W4G
Options	SF				Y	Y	W4G	W4G		N	Y	T3M	W4GM	W4GM	Y	W4G
	DF				Y	Y	W4G	W4G	N		Y	T3M	W4GM	W4GM	Y	W4G
	TPS				Y	Y	W4G	W4G	Y	Y		T3M	W4GM	W4GM	Y	W4G
	NOM				Y	W4G	W4G	W4G	Y	Y	Y		W4GM	W4GM	N	W4G
	ELSW				Y	N	N	N	W4G	W4G	W4G	T3M			W4G	W4G
	ELCW				Y	N	N	N	W4G	W4G	W4G	T3M			W4G	W4G
	LWG				Y	Y	Y	Y	Y	Y	Y	T3M	W4GM	W4GM		N
	LVG				W4G	W4G	W4G	W4G	W4G	W4G	W4G	W4GM	W4GM	W4GM	N	

LEGEND

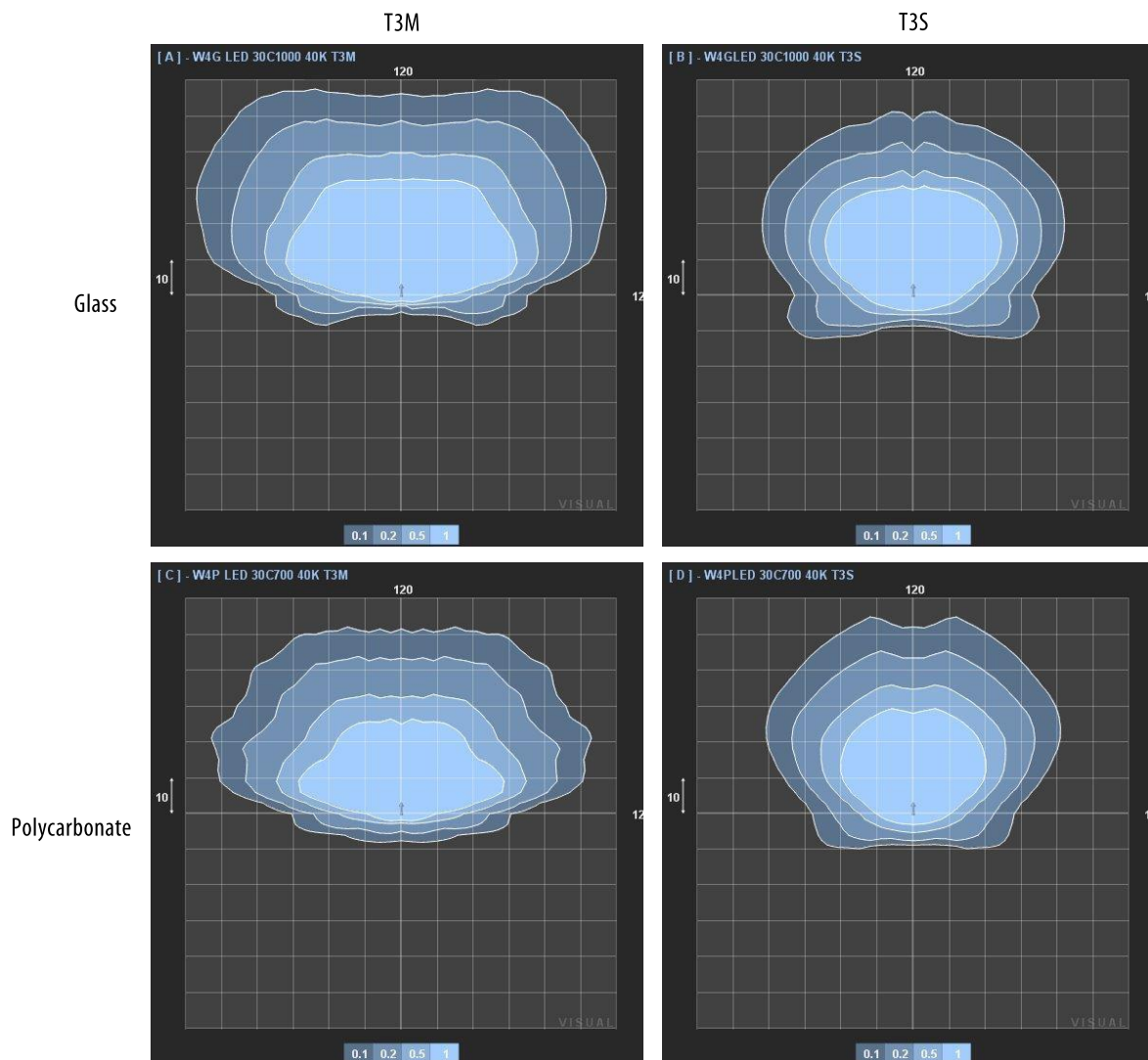
- N = Not available with W4GLED & W4PLED
- Y = Valid combination with W4GLED & W4PLED
- T3M = Only available on W4GLED & W4PLED with T3M distribution
- W4G = Only available with W4GLED
- W4GM = Only available on W4GLED with T3M distribution

OPERATIONAL DATA

Operating Characteristics

Series	LED Package	System Watts	Distribution Type	30K (3000K, 70 CRI)					40K (4000K, 70 CRI)					50K (5000K, 70 CRI)					
				Lumens	LPW	B	U	G	Lumens	LPW	B	U	G	Lumens	LPW	B	U	G	
W4G	10C1000	39	T3M	3140	81	0	3	3	3377	87	0	3	3	3398	87	0	3	3	
	20C1000	72		6495	90	1	3	4	6983	97	1	3	4	7027	98	1	3	4	
	30C1000	104		7789	75	1	3	4	8375	81	1	3	5	8427	81	1	3	5	
W4P	10C700	26		2030	78	0	3	2	2183	84	0	3	2	2197	85	0	3	2	
	20C700	45		3912	87	0	3	3	4207	93	1	3	3	4233	94	1	3	3	
	30C700	67		4813	72	1	3	3	5176	77	1	3	4	5208	78	1	3	4	
W4G	10C1000	28		T3S	3206	115	0	3	2	3485	124	0	3	2	3485	124	0	3	2
	20C1000	57			6507	114	1	3	2	7073	124	1	3	3	7073	124	1	3	3
	30C1000	77			8477	110	1	3	3	9214	120	1	3	3	9214	120	1	3	3
W4P	10C700	27	2709		100	0	3	2	2944	109	0	3	3	2944	109	0	3	3	
	20C700	38	3299		87	0	3	3	4017	106	1	3	3	4017	106	1	3	3	
	30C700	49	4203		86	1	3	3	5173	106	1	3	3	5173	106	1	3	3	

PHOTOMETRIC DISTRIBUTIONS



OPERATIONAL DATA

Lumen Maintenance

Data references the extrapolated performance projections for the platforms noted in a 25° C ambient, based on 10,000 hours of LED testing (tested per IESNA LM-80-08 and projected per IESNA TM-21-11).

To calculate LLF, use the lumen maintenance factor that corresponds to the desired number of operating hours below. For other lumen maintenance values, contact factory.

Lumen Maintenance Factor with TM3 Optic Option

Operating Hours	0	25,000	50,000	100,000
Glass Lumen Maintenance Factor	1.00	0.969	0.935	0.870
Polycarbonate Lumen Maintenance Factor	1.00	0.998	0.993	0.982

Lumen Maintenance Factor with T3S Optic Option

Operating Hours	0	25,000	50,000	100,000
Glass Lumen Maintenance Factor	1.00	1.00	0.977	0.925
Polycarbonate Lumen Maintenance Factor	1.00	1.00	0.977	0.925

The italicized is extrapolated beyond the TM-21 standard.

$$E = (LM) \times (LAT) \times (LLD)$$

Lumen Ambient Temperature (LAT) Multipliers

Use this factors to determine relative lumen output for average ambient temperatures from 0-40° C (32-104°F)

Ambient		Lumen Temperature	
		LEDs with T3M	LEDs with T3S
0° C	32° F	1.02	1.05
10° C	50° F	1.01	1.03
20° C	68° F	1.00	1.01
25° C	77° F	1.00	1.00
30° C	86° F	1.00	0.99
40° C	104° F	0.98	0.97

Ambient Temperature Ratings

Distribution	LED Package	Temperature
T3M	10C1000	40° C
	20C1000	35° C
	30C1000	35° C
	ELSW Option	30° C
	ELCW Option	30° C

Distribution	LED Package	Temperature
T3M	10C700	40° C
	20C700	40° C
	30C700	40° C

Distribution	LED Package	Temperature
T3S	10C700	40° C
	20C700	40° C
	30C700	40° C
	10C1000	40° C
	20C1000	40° C
	30C1000	40° C