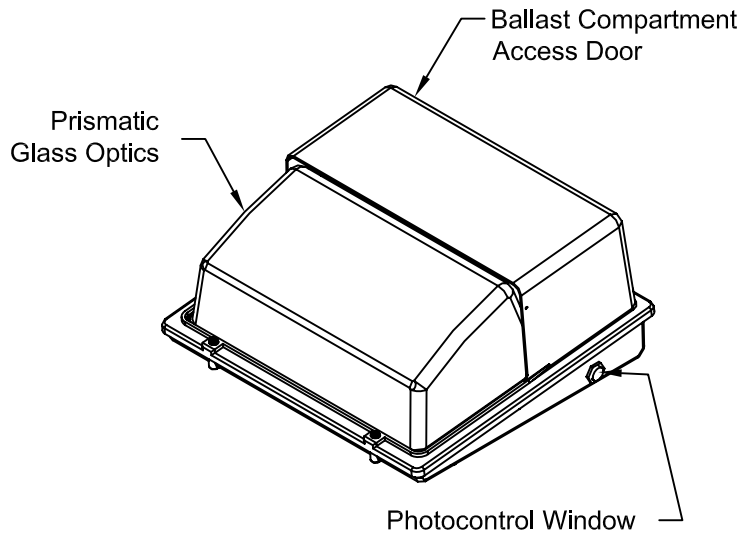


Maximum Weight - 34 Lbs.

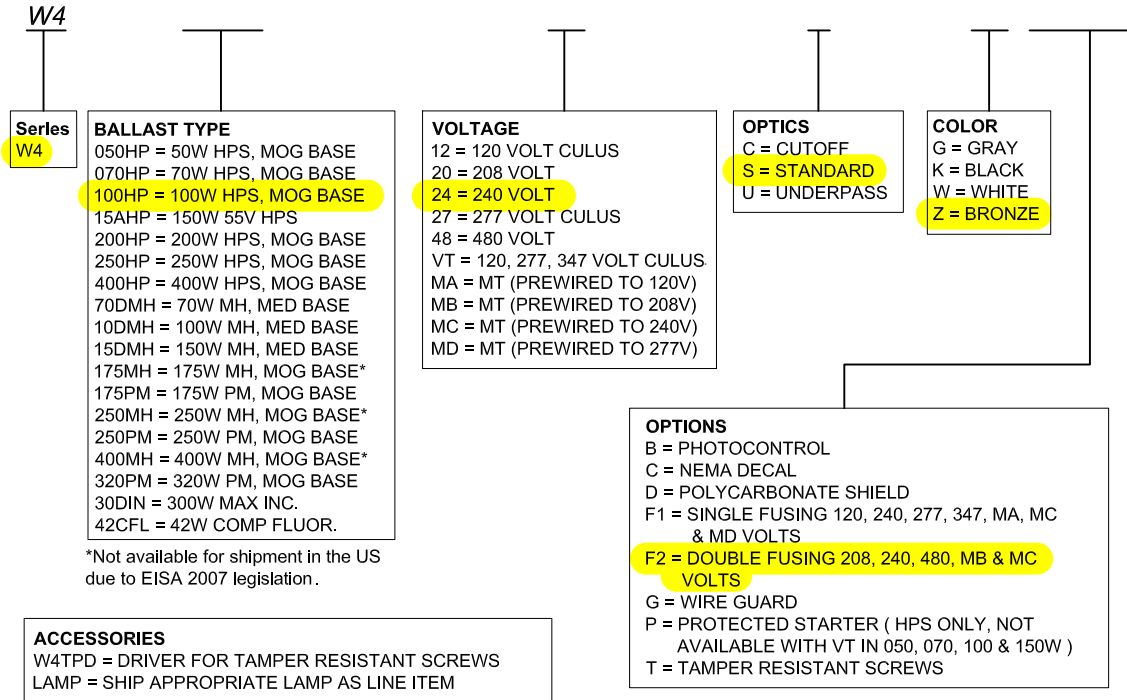


# Wallpack® IV

INFRASTRUCTURE  
OUTDOOR



ORDERING INFORMATION:



## Specifications

**DESCRIPTION** Wallpack IV is a wall mounted luminaire consisting of a precisely contoured anodized aluminum reflector, thermal shock resistant borosilicate glass refractor, integral HID Holophane ballast and die cast aluminum housing. Luminaire shall have a self hinged door secured by captive fasteners. Ballast and lamp socket shall be completely factory pre-wired and tested. Luminaire shall be designed to mount directly on a wall for surface wiring or over a recessed outlet box. The integral ballast shall provide reliable starting temperatures to -30°C. HID ballast shall be positioned for maximum heat dissipation. Luminaire housings shall be finished with a thermal-setting polyester powder paint coating. Luminaire shall be UL/CUL listed for wet locations.

### Maximum Ambient Temperatures:

30°C: 400MH, 250MH, 320PM, 250PM  
40°C: 70DMH, 10DMH, 15DMH, 175MH, 175PM, 30DIN, 42CFL. ALL HPS.

THIS DRAWING, WHEN APPROVED, SHALL BECOME THE COMPLETE SPECIFICATION FOR THE MATERIAL TO BE FURNISHED BY HOLOPHANE ON THE ORDER NOTED ABOVE. A UNIT OF SIMILAR DESIGN MAY BE FILED ON THE ORDER AS AN ALTERNATE DESIGN. THE MATERIAL WILL BE SHIPPED WITH EACH ANCHOR BOLT ORDER TO MATCH THE POLE PROVIDED. THIS PRINT IS THE PROPERTY OF HOLOPHANE AND IS LOANED SUBJECT TO RETURN UPON DEMAND AND UPON EXPRESS WRITTEN REQUEST TO THE SUPPLIER. THIS DRAWING IS VALID ONLY IN ANY WAY DETRIMENTAL TO OUR INTERESTS, AND ONLY IN CONNECTION WITH MATERIAL FURNISHED BY HOLOPHANE.

ORDER #:	
TYPE:	BRL
DRAWN:	04/08/10
DATE:	
DWG #:	W4