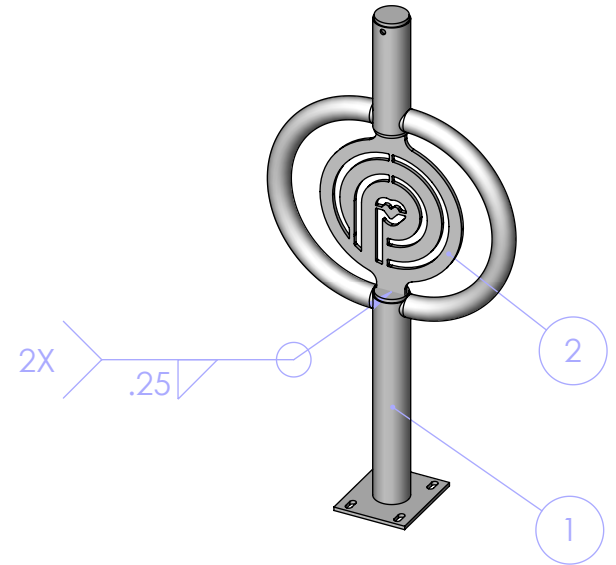
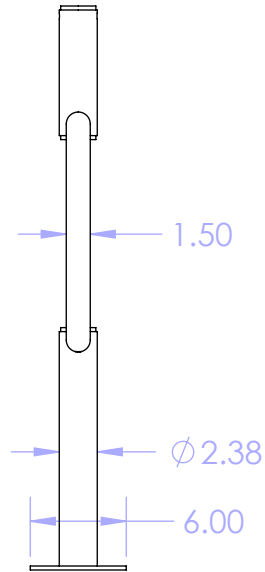
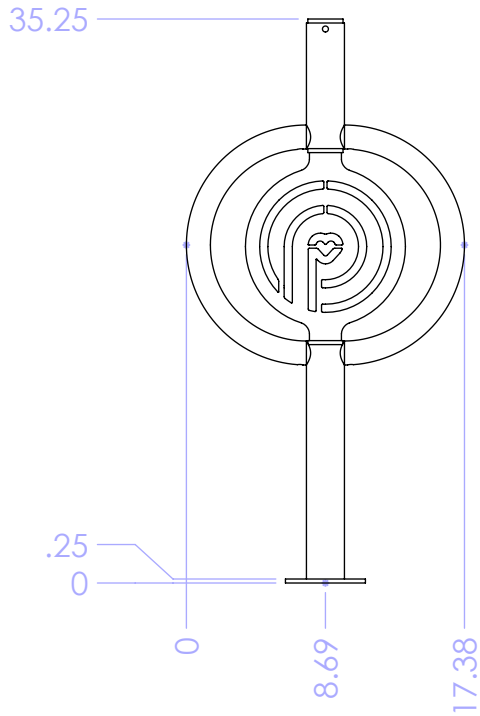
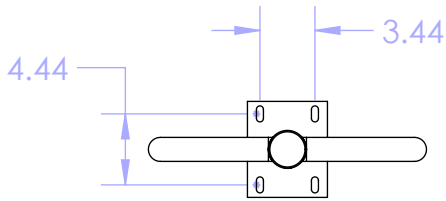


REVISIONS		
REV.	DESCRIPTION	DATE
A	INITIAL RELEASE	9/26/18



APPROVED BY: _____

DATE: _____

ITEM NO.	PART NUMBER	QTY.
1	BIKE HITCH CUSTOM FT WELDMENT 2000521-A	1
2	OVERLAND BH PLATE 1004375-A	1

DIMENSIONS ARE IN INCHES TOLERANCES: SEE DRAWING FOR SPECIFIC TOLERANCES	DRAWN	JL	9/26/18	DERO BIKE RACK CO. <small>504 MALCOLM AVE. SE, SUITE 100 MINNEAPOLIS, MN 55414 TEL: (612) 359-0689 FAX: (612) 331-2731</small>
	CALC. CUT	-	INCHES	
	ACTUAL CUT	-	INCHES	
	SURF. AREA	-	SQ. INCHES	
MATERIAL	SEE BOM PROPRIETARY AND CONFIDENTIAL <small>THE INFORMATION CONTAINED IN THIS DRAWING IS THE SOLE PROPERTY OF THE DERO BIKE RACK COMPANY. ANY REPRODUCTION IN PART OR AS A WHOLE WITHOUT THE WRITTEN PERMISSION OF THE DERO BIKE RACK COMPANY IS PROHIBITED.</small>			
FINISH	SEE BOM			SIZE A DWG. NO. 1004373-A REV. A
DO NOT SCALE DRAWING				SCALE: 1:12 UNFINISHED WEIGHT: 20.01 LBS SHEET 1 OF 1