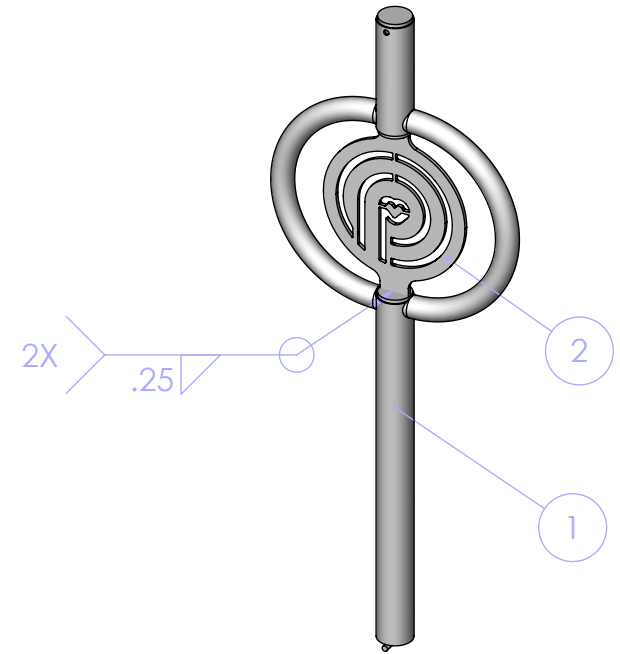
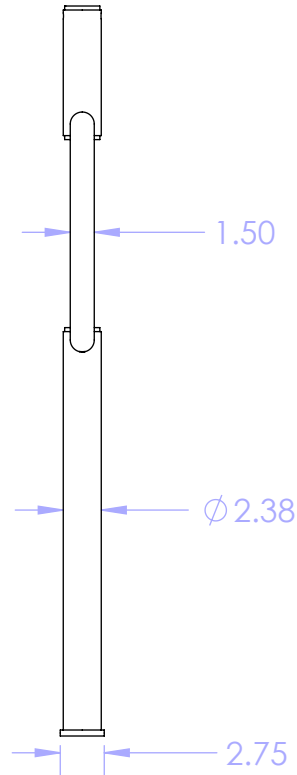
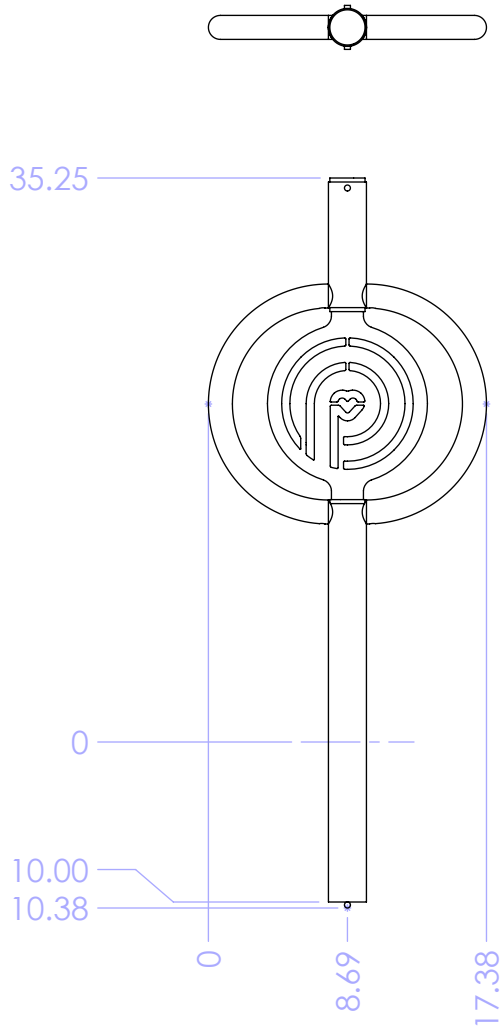


REVISIONS		
REV.	DESCRIPTION	DATE
A	INITIAL RELEASE	9/26/18



APPROVED BY: _____
DATE: _____

ITEM NO.	PART NUMBER	QTY.
1	BIKE HITCH CUSTOM IG WELDMENT 2000722-A	1
2	OVERLAND BH PLATE 1004375-A	1

DIMENSIONS ARE IN INCHES TOLERANCES: SEE DRAWING FOR SPECIFIC TOLERANCES		NAME	DATE	DERO BIKE RACK CO. <small>504 MALCOLM AVE. SE, SUITE 100 MINNEAPOLIS, MN 55414 TEL: (612) 359-0689 FAX: (612) 331-2731</small>
		DRAWN	JL 9/26/18	
		CALC. CUT	- INCHES	
		ACTUAL CUT	- INCHES	
		SURF. AREA	- SQ. INCHES	OVERLAND BH-IG WELDMENT
MATERIAL		PROPRIETARY AND CONFIDENTIAL		
FINISH		THE INFORMATION CONTAINED IN THIS DRAWING IS THE SOLE PROPERTY OF THE DERO BIKE RACK COMPANY. ANY REPRODUCTION IN PART OR AS A WHOLE WITHOUT THE WRITTEN PERMISSION OF THE DERO BIKE RACK COMPANY IS PROHIBITED.		
DO NOT SCALE DRAWING				
SIZE	DWG. NO.	REV.		
A	1004374-A	A		
SCALE: 1:12		UNFINISHED WEIGHT: 21.47 LBS		SHEET 1 OF 1