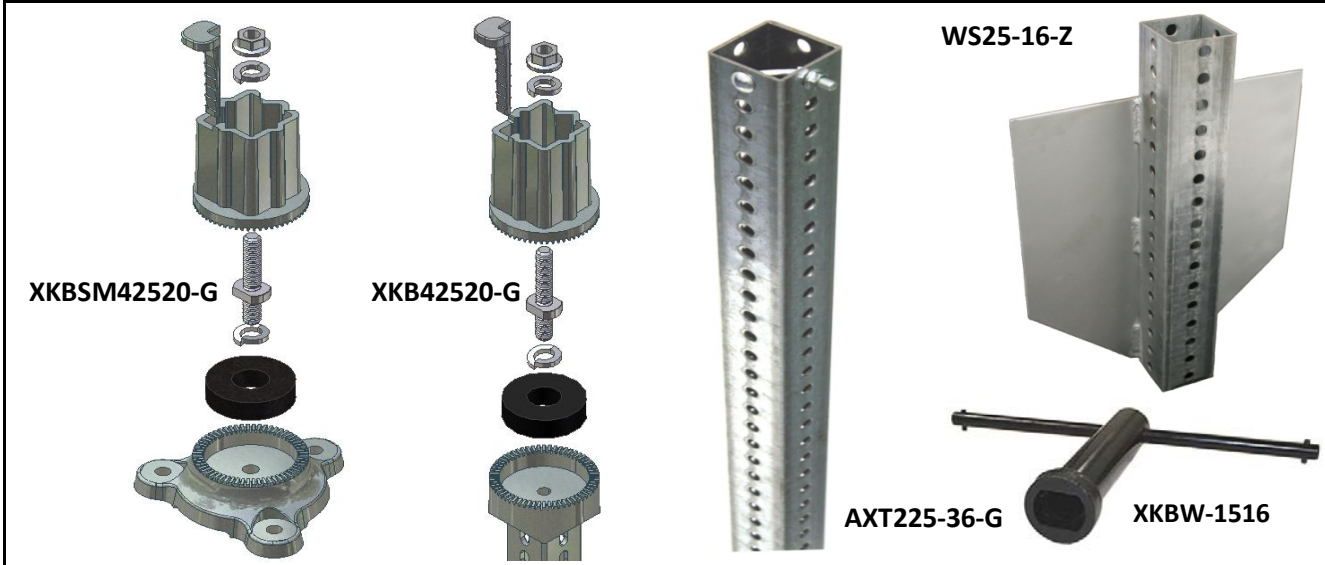


## KLEEN BREAK MODEL 425 SIGN POST COUPLER

NCHRP 350 COMPLIANT / FHWA LETTER SS - 131

### COMPLETE ASSEMBLIES

PART NUMBER	DESCRIPTION	WEIGHT EACH
XKBSM42520-G	Surface Mount Kleen Break Assembly	13.00#
XKB42520-G	Complete Kleen Break Assembly for 1 1/4" & 2" square post (Includes all components for concrete installation)	12.63#
AXT225-36-G	2 1/4" x 12ga. X 36" <b>Anchor extension</b> (Includes corner bolt & nut)	8.40#
WS25-16-Z	Wing Sleeve - 2 1/2" x 12ga. With 12" x 13" Soil Bearing Wing	9.70#
XKBW-1516	Kleen Break Shear Bolt Wrench	2.10#



### REPLACEMENT PARTS

PART NUMBER	DESCRIPTION	WEIGHT EACH	STANDARD PACKAGING
SBH5840-Z	5/8" - 11 x 4" Model 425 Shear Bolt w/ Hardware	0.55#	25 sets per box
RB30-EPDM	3" O.D. x 1.3" I.D. x 0.825" Thick Rubber Bushing	0.20#	10 each per box
LWX35-G	Post to Coupler Locking Wedge	0.35#	10 each per box
TX175-200-G	1 1/4" / 2" Square Post Receiver	4.64#	5 each per box
SMKB3-G	Kleen Break Surface Mount Base	6.61#	5 each per box
CKBA-8-G	Kleen Break Anchor for Concrete - 8" long	6.24#	5 each per box

