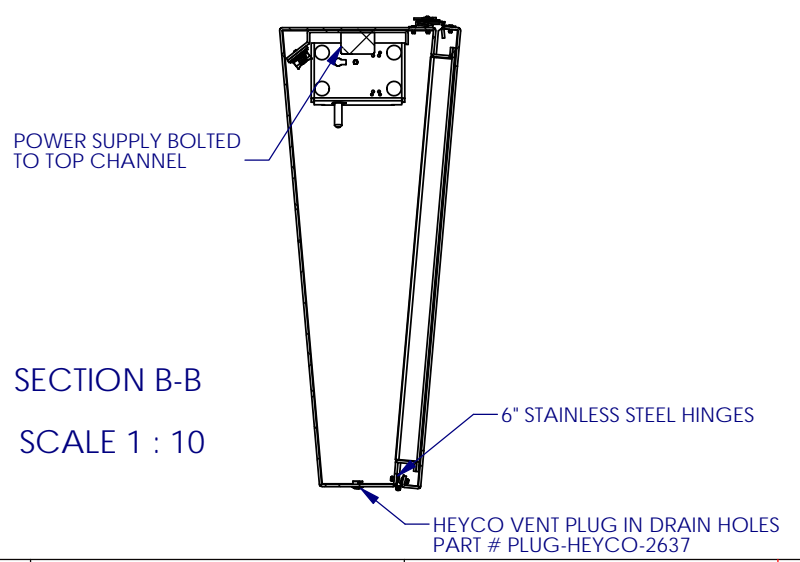


DETAIL A
SCALE 1 : 4
(COVER REMOVED)



SECTION B-B
SCALE 1 : 10



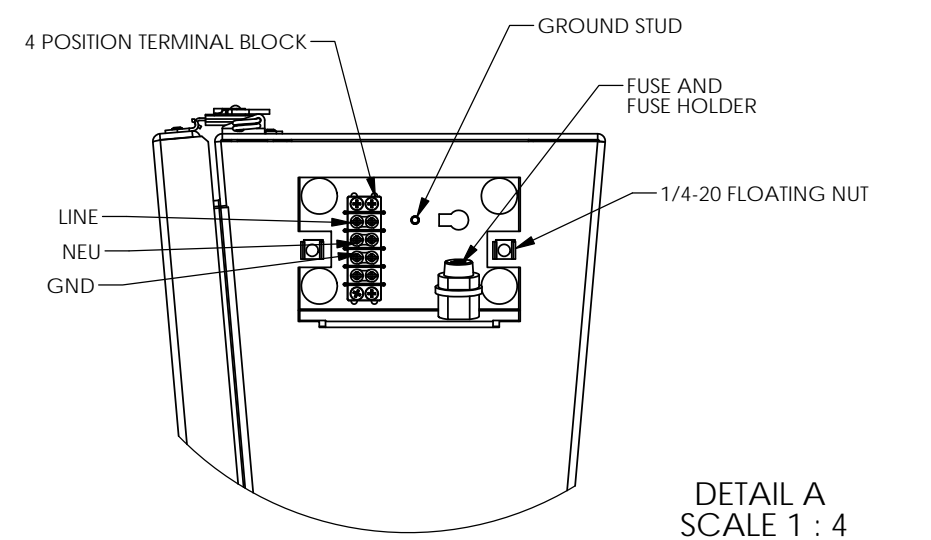
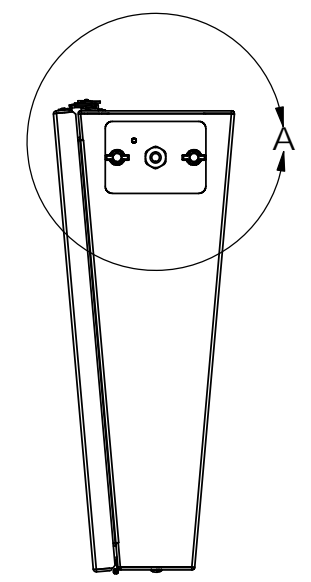
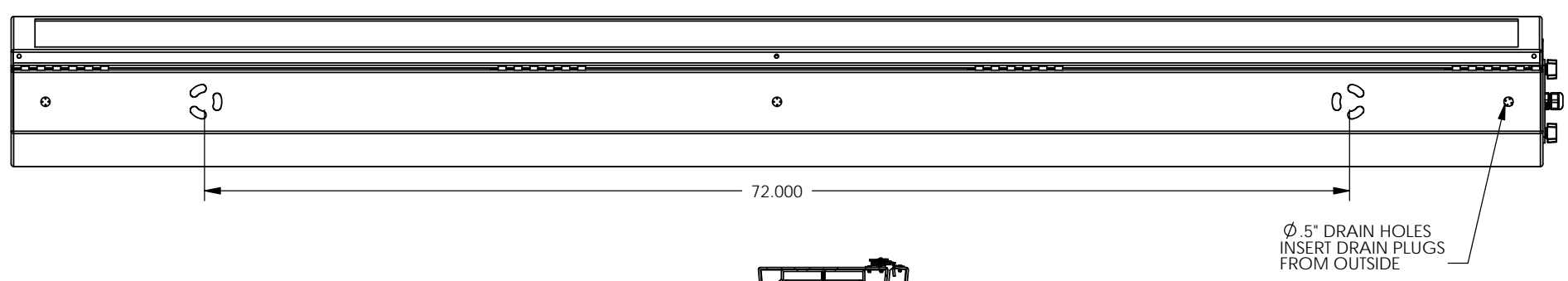
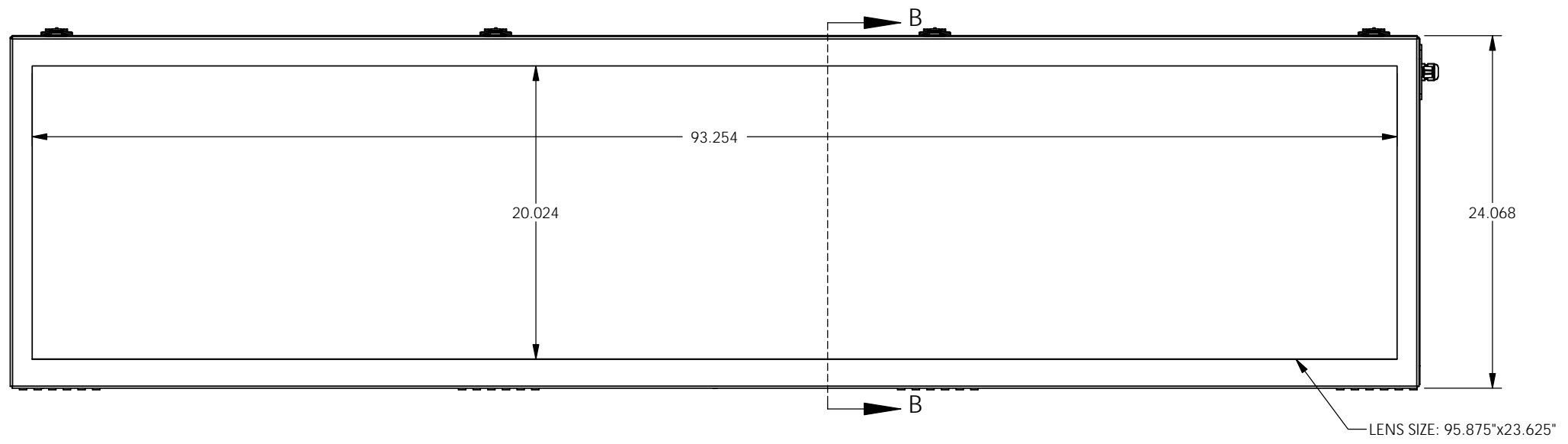
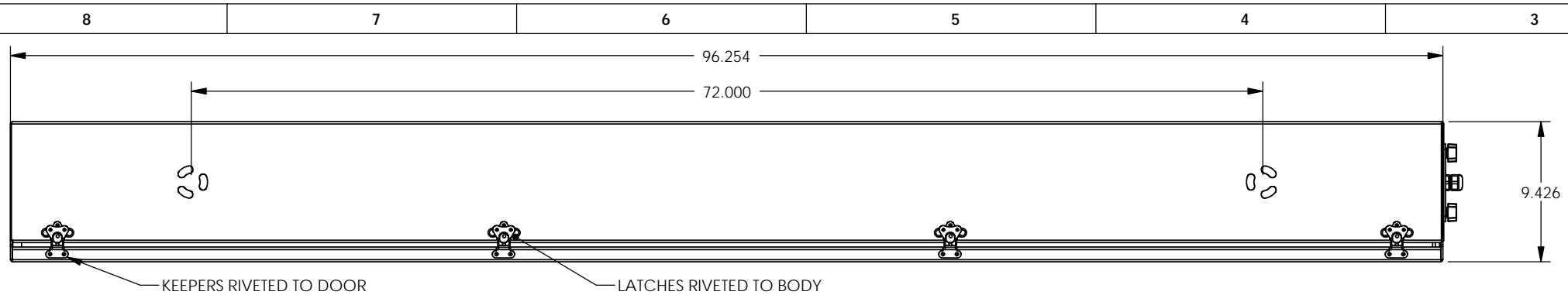
UNLESS OTHERWISE SPECIFIED
ALL DIMENSIONS ARE IN INCHES

TOLERANCES
.X = ± .05
.XX = ± .03
.XXX = ± .01
ANGLES = ± 1.0

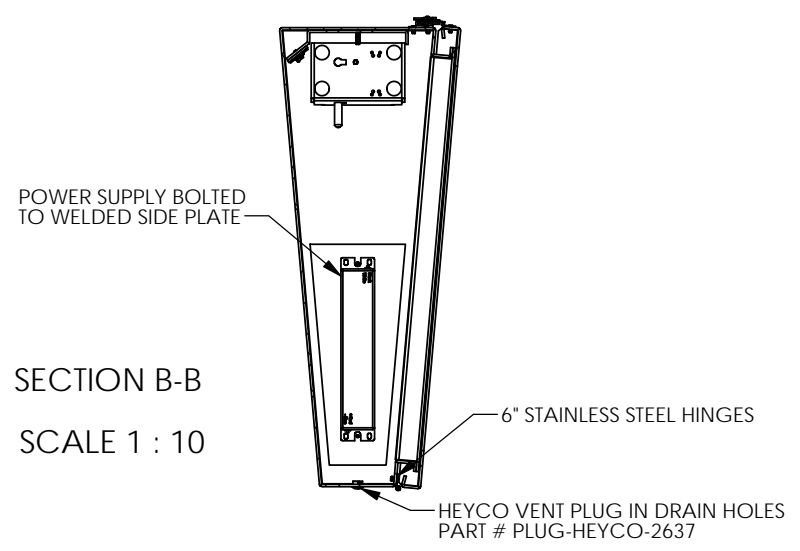
THIRD ANGLE PROJECTION
PROPRIETARY AND CONFIDENTIAL
The information contained in this drawing is the sole property of Southern Manufacturing. Any reproduction in part or as a whole without the written permission of Southern Manufacturing is prohibited.

APPROVALS	DRWN MD 5/13/2015 APRV
FINISH	PER CUSTOMER
MATERIAL	.125" 5052H-32 ALUMINUM

CONFIDENTIAL PROPRIETARY INFORMATION OF: Southern Manufacturing LONGWOOD, FLORIDA, USA 32750			
TITLE V:\SIGNS\Top Level Assemblies\Standard\ LE624SBA			
WEIGHT	83.649 LBS	DENSITY	N/A
SURF. AREA	N/A		
CC	Configuration LE624SBA	REV	00ABH
SCALE	1:12	SIZE	B
SHEET	1 OF 3		



DETAIL A
SCALE 1 : 4
(COVER REMOVED)



	UNLESS OTHERWISE SPECIFIED ALL DIMENSIONS ARE IN INCHES		APPROVALS		CONFIDENTIAL PROPRIETARY INFORMATION OF:	
	TOLERANCES		DRWN YS 8/14/2015 APRV		Southern Manufacturing	
	.X = ± .05 .XX = ± .03 .XXX = ± .01 ANGLES = ± 1.0		FINISH		LONGWOOD, FLORIDA, USA 32750	
	THIRD ANGLE PROJECTION		PER CUSTOMER		TITLE V:\SIGNS\Top Level Assemblies\Standard\ LE824SBA	
PROPRIETARY AND CONFIDENTIAL <small>The information contained in this drawing is the sole property of Southern Manufacturing. Any reproduction in part or as a whole without the written permission of Southern Manufacturing is prohibited.</small>		MATERIAL		WEIGHT 83.859 LBS DENSITY N/A SURF. AREA N/A		
		.125"		CC Configuration REV 04		
		5052H-32 ALUMINUM		SCALE 1:12 SIZE B SHEET 1 OF 3		