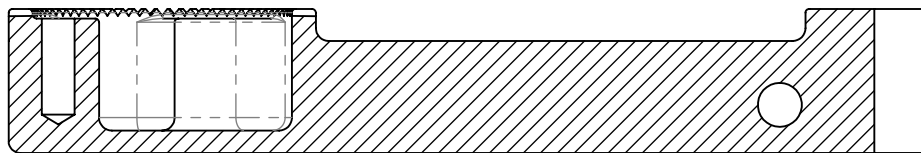
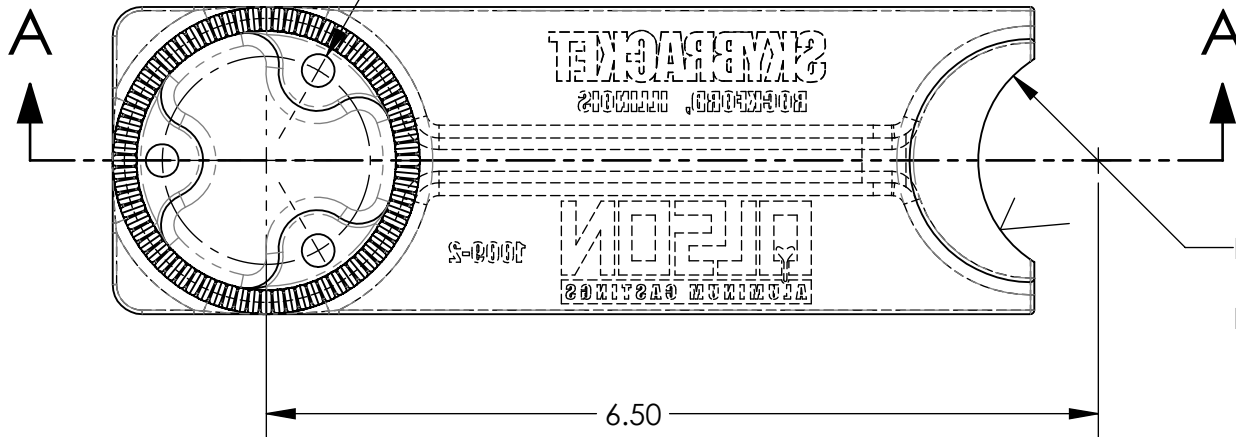


3X ϕ .257 ∇ .75
 5/16-18 UNC - 2B ∇ .63
 120° SPACING
 ON ϕ 1.625 B.C.
 (CENTERED ON BOSS FEATURE)



SECTION A-A
 SCALE 1 : 1.5

THE INFORMATION CONTAINED IN THIS DRAWING IS THE SOLE PROPERTY OF SKYBRACKET. ANY REPRODUCTION IN PART OR WHOLE WITHOUT THE WRITTEN PERMISSION OF SKYBRACKET IS PROHIBITED.



TITLE
TRI STUD UPPER ARM

UNLESS OTHERWISE SPECIFIED:
 DIMENSIONS ARE IN INCHES
 TOLERANCES:
 FRACTIONAL $\pm 1/64$
 ANGULAR: MACH $\pm 15'$ BEND $\pm 30'$
 TWO PLACE DECIMAL $\pm .005$
 THREE PLACE DECIMAL $\pm .002$

| APPROVALS | BY | DATE |
|----------------------|-----|--------|
| | TRC | 1/7/12 |
| RESP ENG | | |
| DO NOT SCALE DRAWING | | |

| SIZE | DWG. NO. | REV. |
|-----------------------------|----------|----------|
| A | 1009-2 | A |
| SCALE: NTS CAD FILE: 1009-2 | | SHEET OF |