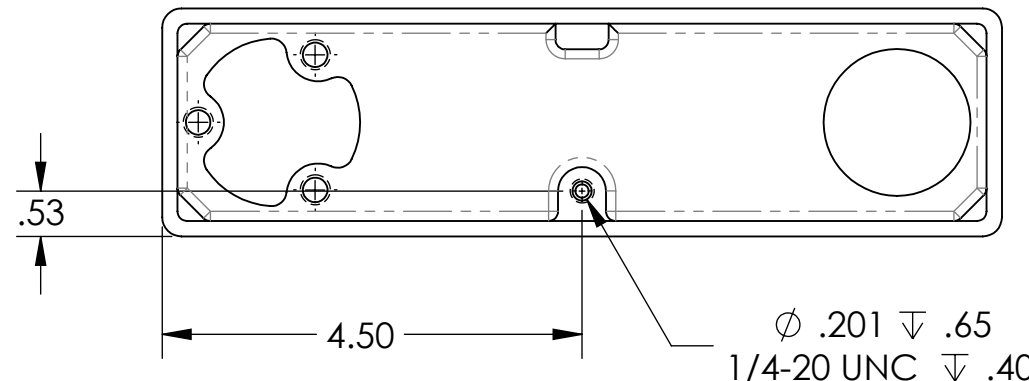
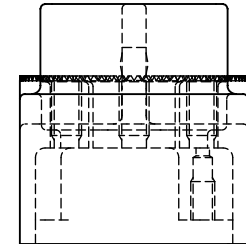
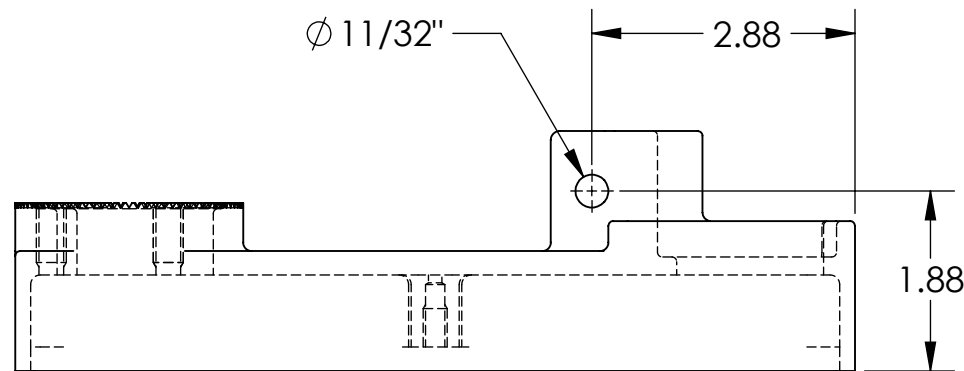
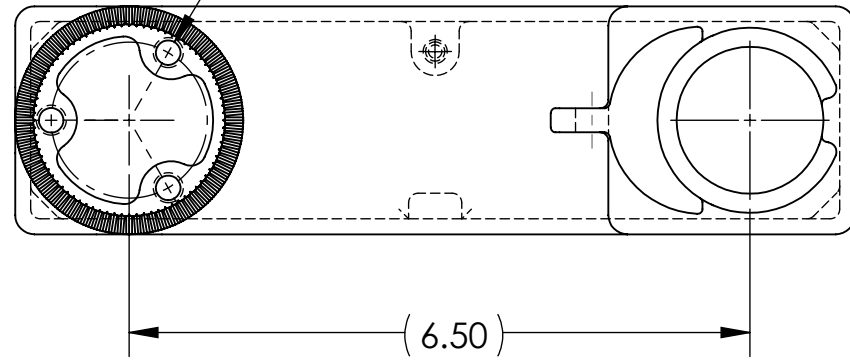


THE INFORMATION CONTAINED IN THIS DRAWING IS THE SOLE PROPERTY OF OLSON ALUMINUM CASTINGS. ANY REPRODUCTION IN PART OR WHOLE WITHOUT THE WRITTEN PERMISSION OF OLSON ALUMINUM CASTINGS IS PROHIBITED.

3X ϕ .257 ∇ .75
 5/16-18 UNC ∇ .56
 120° SPACING
 ON ϕ 1.625 B.C.
 (CENTERED ON BOSS FEATURE)



HIDDEN LINES REMOVED FOR CLARITY
 THIS VIEW ONLY

UNLESS OTHERWISE SPECIFIED DIMENSIONS ARE IN INCHES TOLERANCES ARE:			CAD GENERATED DRAWING, DO NOT MANUALLY UPDATE		
FRACTIONS	DECIMALS	ANGLES	APPROVALS	DATE	
.XX	+/- .015	+/- 1/2	DRAWN TRC	03/15	<p>LOWER ARM</p>
.XXX	+/- .005		CHECKED		
MATERIAL	356-T6		RESP ENG TRC	03/16	
FINISH	--		MFG ENG		
DO NOT SCALE DRAWING			QUAL ENG		SIZE B DWG. NO. 1086-5 REV. SCALE: 1:2 CAD FILE: SHEET OF