

## DCF2 12Volt DC Flasher

Designed for use with solar powered systems

Powered from any 12 Volt DC source

Solid state construction

Two (2) output circuits rated at 6 amps per circuit

Size: 2 3/8" w x 4" h x 1 3/4" d

Temperature Rating  
-34°C (-30 F°) to +74°C (+165°F)



### Ordering Information

p/n

500540

DCF2

500455

Base 8-Pin

DATE  
00/00/00

REV1

REV2

REV3

**RTC** RTC Manufacturing, Inc.

P. O. Box 150189  
Arlington, TX 76015  
(800) 782-8721  
(817) 274-3610 fax

PROJECT

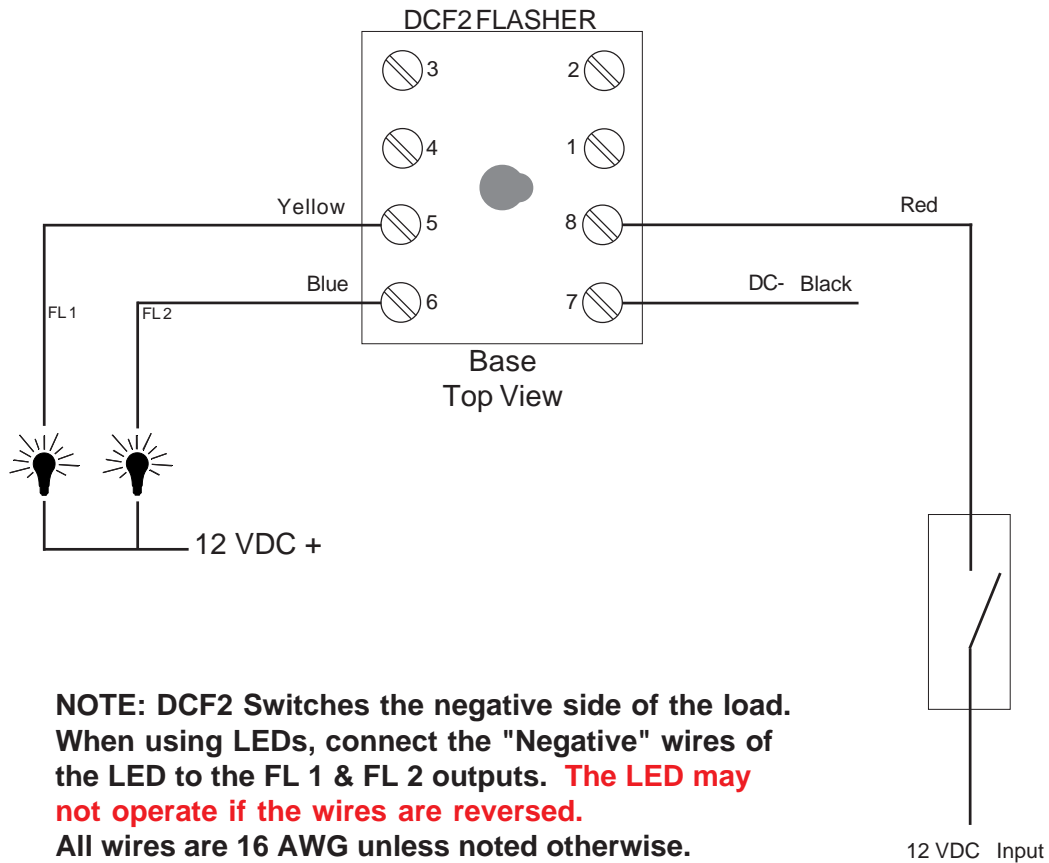
DCF2  
DC Flasher 8-Pin

DESCRIPTION

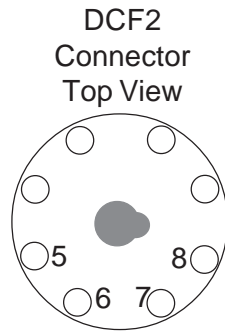
CUTSHEET

ASSEMBLY NUMBER:

500540



**NOTE: DCF2 Switches the negative side of the load. When using LEDs, connect the "Negative" wires of the LED to the FL 1 & FL 2 outputs. The LED may not operate if the wires are reversed. All wires are 16 AWG unless noted otherwise.**



- 5- Load 1 (Flash Out)
- 6- Load 2 (Flash Out)
- 7- DC-
- 8- 12 VDC Input

Operation Temperature Range: 0-70 C  
 Control Current: 0.0 Amp Normal  
 0.005 Amp Active  
 Flash Rate: 1 / Second, 1/2 Second  
 Flash Output: 2  
 Output Rating: 6 Amps

**CAUTION:**

INCORRECT WIRING OF BATTERY AND SOLAR ARRAY WILL CAUSE DAMAGE.  
 USE CAUTION WHEN CONNECTING RED AND BLACK WIRES.

<b>RTC</b> RTC Manufacturing, Inc.		P. O. Box 150189 Arlington, TX 76015 (800) 782-8721 (817) 274-3610 fax
PROJECT	DCF2 Flasher With Base Detail	
DESCRIPTION	WIRING DIAGRAM	ASSEMBLY NUMBER: