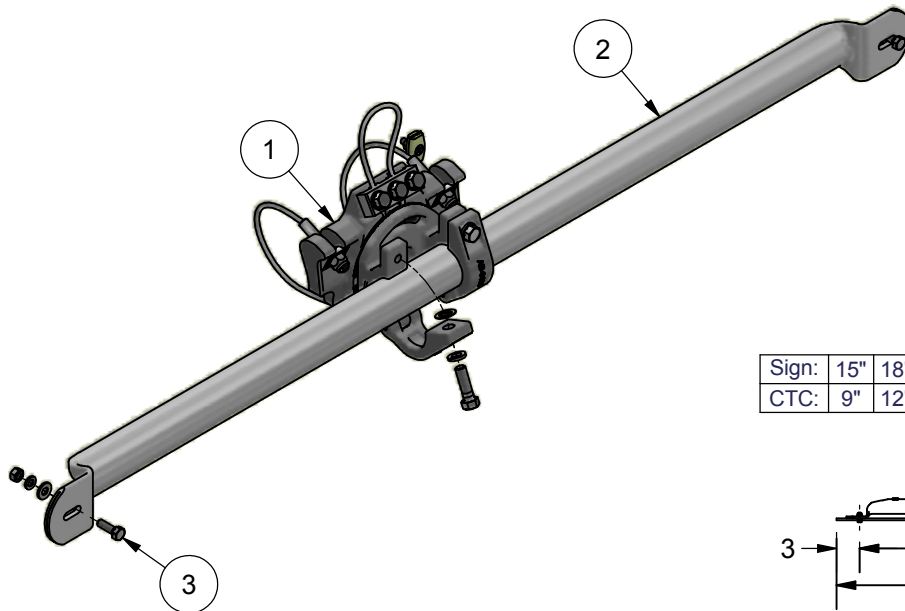


REF:

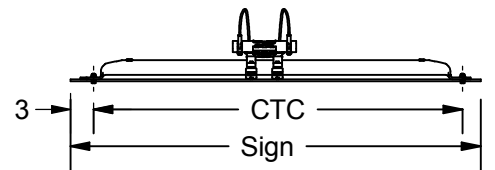
TITLE:
Astro Sign-Brac, Galaxy, Cable Mount, Alum

PART NO.:
AG-0142

Example Part No.
 AG-0142-24-62-PXX
 AG-0142-24-62-SS-PXX
 CTC
 Cable Length
 Stainless Upgrade
 Process No Color=PNC
 Paint=PXX



Sign:	15"	18"	21"	24"	30"	36"	42"	48"	54"	66"
CTC:	9"	12"	15"	18"	24"	30"	36"	42"	48"	60"



Paint Color (PXX)
 P33 - Gloss Black
 P71- RAL 6012 Green
 P39 - RAL 8019 Dark Bronze

Cable Length	Max Pole Dia	Max Pole Dia w/ Ty-Back
62"	7.0"	4.5"
84"	10.5"	7.6"
96"	12.4"	9.6"
110"	14.6"	11.8"
120"	16.2"	13.4"
132"	18.2"	15.3"
144"	20.1"	17.2"
220"	32.2"	29.3"
280"	35.0"	35.0"

Notes:

- 90 mph wind zone maximum: 16 sq ft
- 1. The above capacities are only for applications with the clamp mounted in the center of the sign, for all other applications contact Pelco Engineering. For higher wind zones and multiple brackets use the AB-0502 sign clamp style bracket.
- 2. Signs must be properly engineered for application.
- 3. 5/16" sign mounting bolts to be torqued to 12 ft-lb.
- 4. Stainless Upgrade=cable on clamp kit.

Options
CTC=Center to Center, See Chart
Cable Length: Min 4.5" Pole Dia, See Chart for Max
SS=Stainless Upgrade
Paint

ITEM	PART NUMBER	DESCRIPTION	QTY
1	AG-3055-L-GLV-PXX	Astro-Brac Clamp Kit, Galaxy Hinged, Galv Cable, Alum	1
2	AB-0283-CTC-PXX	Tube, Sign Brac 1-1/2" Sch 10 x CTC Dim, Alum	1
3	AB-0276-SS	Hardware Kit, Astro Sign-Brac, 5/16"-18, Stainless	1

Pelco Assy.dwg 8/20/18