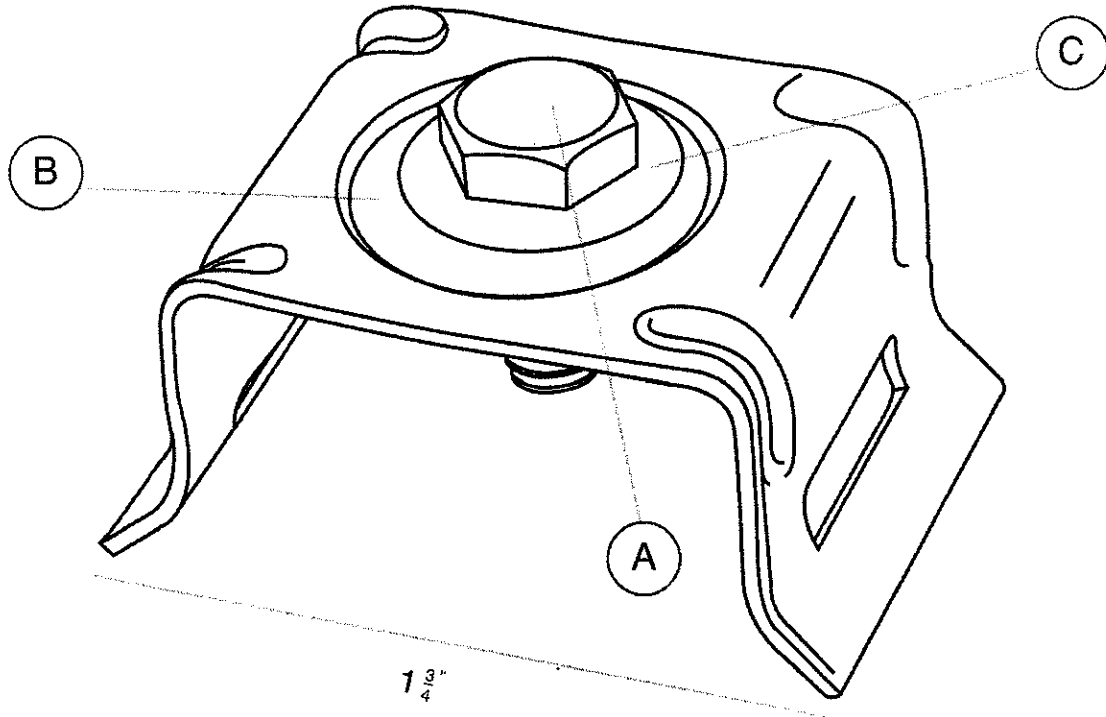


# Flared Leg Brackets PLUS+4SS



Description	Hardware	Units/Box
<p><b>Flared Leg Strapping Bracket</b></p> <ul style="list-style-type: none"> <li>• Use on poles more than 4" in diameter</li> <li>• Extruded tapped hole for bolts 5/16"- 18</li> <li>• Stainless Steel</li> </ul>	<p>BRACKET ASSEMBLY INCLUDES:</p> <ul style="list-style-type: none"> <li>(A) 5/16" x 3/4" SS Hex Bolt Qty: 1</li> <li>(B) 5/16" SS Flat Washer Qty: 1</li> <li>(C) 5/16" Nylon Washer Qty: 1</li> </ul>	<p>50</p>