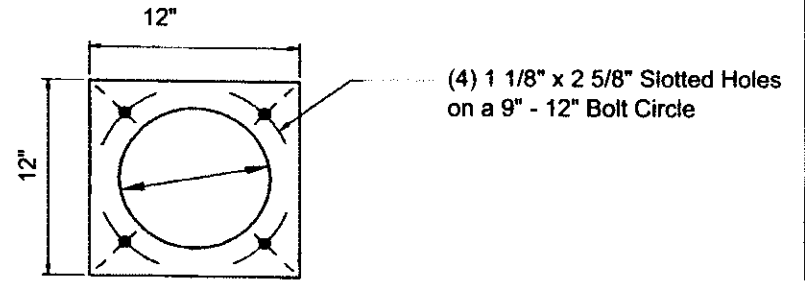
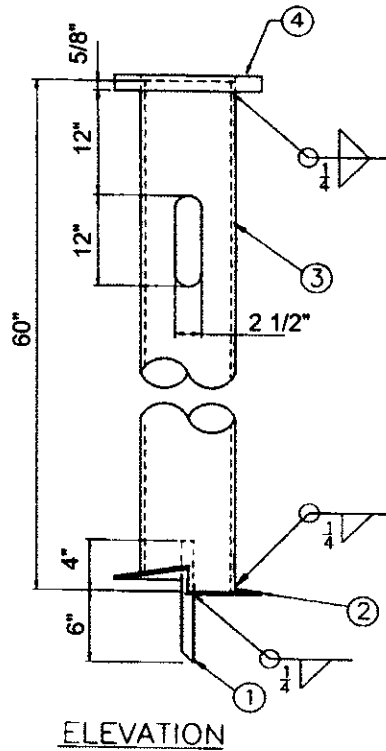
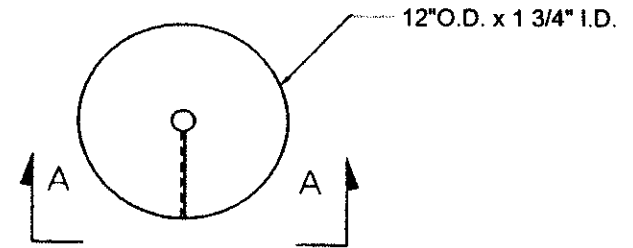


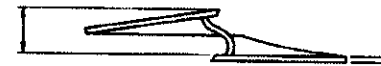
ISOMETERIC VIEW



TOP VIEW - PL (4)




TOP VIEW - PL (2)



VIEW A-A

MARK	DESCRIPTION	Mat'l	Weight
①	1 3/8"Ø x 0-10"	A36	4.00
②	3/8"PL-12"O.D. x 1 3/4" I.D.	A36	12.16
③	6 5/8"O.D. x 1/4"Wall x 5'-0"	A252-2	78.55
④	1"PL-12"x1'-0" w/6 25/32" I.D.	A36	27.94
	(4) 1"-8 x 4" Hex Head Bolt	A325	4.80
	(4) 1"-8 HVY HEX NUTS	A563-DH	1.70
	(4) 1"Ø HARD WASHER	F436	0.36
	(4) 1"Ø LOCK WASHER	MED.	0.36
	Total Weight		129.87
	Number of Foundations Required on this order		

JHB660-912 HELIX FOUNDATION		
Revision:	PO Company: LEMAC	Drawn By: JEH
Date: 1/19/2007	PO Number:	
Contractor:		
	J. H. Botts, INC. 253 East Bruce Street Joliet, IL 60432	Drawing Number 1