



MODEL

# SC315 GEN III

RECTANGULAR RAPID FLASHING BEACON

## Expand your possibilities:

Available in both AC and solar power models, the SC315 Gen III brings new capabilities to the Carmanah RRFB product line:

- Audible push button support
- Solar-power performance even in partial-shaded applications
- Use both solar and AC power models in the same application

## Pedestrian-actuated warning system for uncontrolled marked crosswalks

RRFBs have been found to provide vehicle yielding rates between 72 and 96 percent for crosswalk applications, including 4 lane roadways with average daily traffic (ADT) exceeding 12,000\*.

### Advanced User-Interface

The SC315 Gen III features an on-board user interface and display for quick configuration and status monitoring. It allows for simple in-the-field set-up adjustment to flash duration, ambient settings, and night intensity. Settings are broadcasted automatically to all units in the system.

### Simplified Installation

All components, including the battery or AC power supply, Energy Management System (EMS) and optional audible push button controller are housed in one compact, purpose-built enclosure. The system also incorporates a wire routing and termination system for clean and efficient installation.

### Compatibility

Compatible with the Carmanah R920 RRFB. Interchange solar and AC power models within the same application.

### Trusted

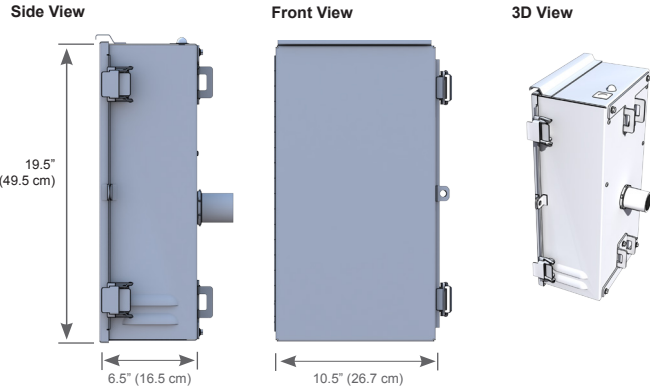
With thousands of installations in the field, Carmanah solar beacons and solar LED lights have become the benchmark in traffic applications and other transportation applications worldwide.



REPRESENTED IN YOUR REGION BY:

\* U.S. Department of Transportation Federal Highways Administration, Publication No. FHWA-HRT-10-043 - "Effects of Yellow Rectangular Rapid-Flashing Beacons on Yielding at Multilane Uncontrolled Crosswalks"

**CABINET DIMENSIONS**



**PANEL MOUNTING OPTIONS**

**Top of Pole Configuration:**  
4" - 4 1/2" Diameter Round Post Mount

**Side of Pole Configuration:**  
4" - 4 1/2" Diameter Round Post Mount



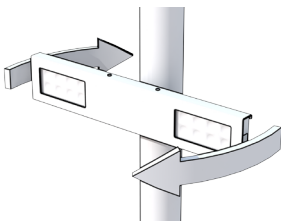
**SYSTEM CONFIGURATION**

**Uni-directional Configuration**

**Bi-directional Configuration**



**IN THE FIELD AIMING**



Rotate the lightbar towards the incoming vehicle lane, independent of the wire hole location.

**RRFB CAPACITY CALCULATOR**

Calculate the performance of our Rectangular Rapid Flashing Beacon in your location with our RRFB Capacity Calculator.

[carmanah.com/RRFB-calculator](http://carmanah.com/RRFB-calculator)



**SPECIFICATIONS SUBJECT TO CHANGE WITHOUT NOTICE.**

US Patent No 6,573,659. Other patents pending. "Carmanah" and Carmanah logo are trademarks of Carmanah Technologies Corp.

© 2014, Carmanah Technologies Corp.  
Document: SPC\_TRAF\_SC315GENIII\_RevI

**MODEL**

**SC315 GEN III**  
RECTANGULAR RAPID FLASHING BEACON

On-Board User Interface (OBUI)	Adjustable, auto-scrolling LED display
	Field-configurable flash duration to one second increment
	Ambient auto-adjust configuration
	Night dimming configuration
	Wireless update of configurable settings from any unit to all systems
	Channel selection
	System test, status and fault detection
Optical	Activation data reporting
	MUTCD IA-11 compliant flash pattern
	3" x 7" amber LED indications
	Side emitting pedestrian confirmation lights
	Exceeds SAE J595 class 1 intensity
AC Power Interface (AC Model)	Meets SAE J578 chromaticity
	High-power LEDs meets 90% lumen maintenance (L90) based on IES LM-80
	Cable management bracket
	90-264 VAC input
Energy (Solar Model)	On-board AC-DC power supply
	DIN rail terminal blocks
Energy Storage (Solar Model)	45 watt high-efficiency photovoltaic cell with blocking diodes
	Maximum Power Point Tracking with temperature compensation (MPPT-TC) for optimal energy collection in all solar conditions
Enclosure Construction	Replaceable, recyclable best in-class 12V dual battery system (sealed, maintenance-free)
	Designed for minimum 5 year battery life
Lightbar Construction	Aluminum housing with lockable tamper-proof hinged door
	Integrated mounting for optional voice message push button controller
Operating Performance	Side of pole mounting to 4" diameter or larger poles
	Premium, UV-resistant polycarbonate lens
	Waterproof LED Indications (NEMA 3R)
Pedestrian Activation	Two-piece mounting bracket to facilitate mounting back-to-back lightbars
	Horizontal rotation adjustment for in-the-field aiming of lightbar
Warranty	Dimensions: 24" L x 1.5" W x 4.5" H (61.0 cm L x 3.8 cm W x 11.4 cm H)
	Rated for 660, 20 second activations per day, year-round operation with a minimum of 0.94 sun hours
Pedestrian Activation	Wireless activation within 150 m
	Wireless range of 500 ft (152 m)
Warranty	ADA compliant, Piezo-driven push button with two-tone audible and visual LED confirmation
	Optional push-button with voice message & visual LED confirmation

