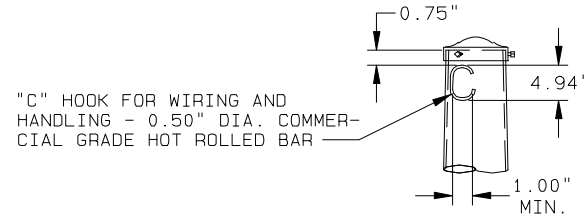
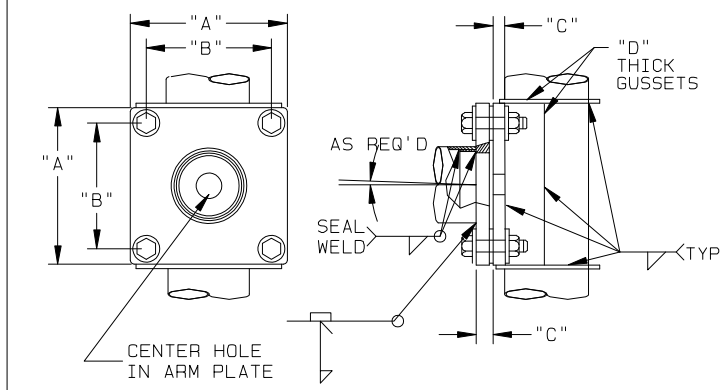
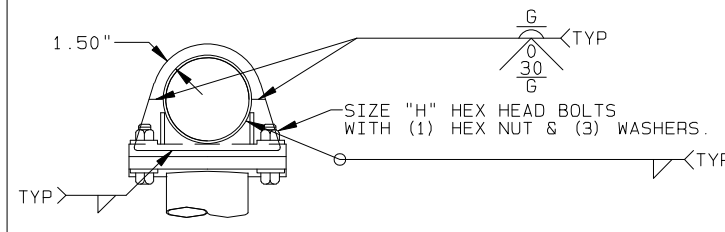


SYSTEM: GALVANIZED (GV)
 BASE COAT: HOT-DIP GALVANIZED TO
 ASTM A123
 PRIME COAT: NONE
 FINISH COAT: NONE
 COLOR: NONE
 SPEC: F-1



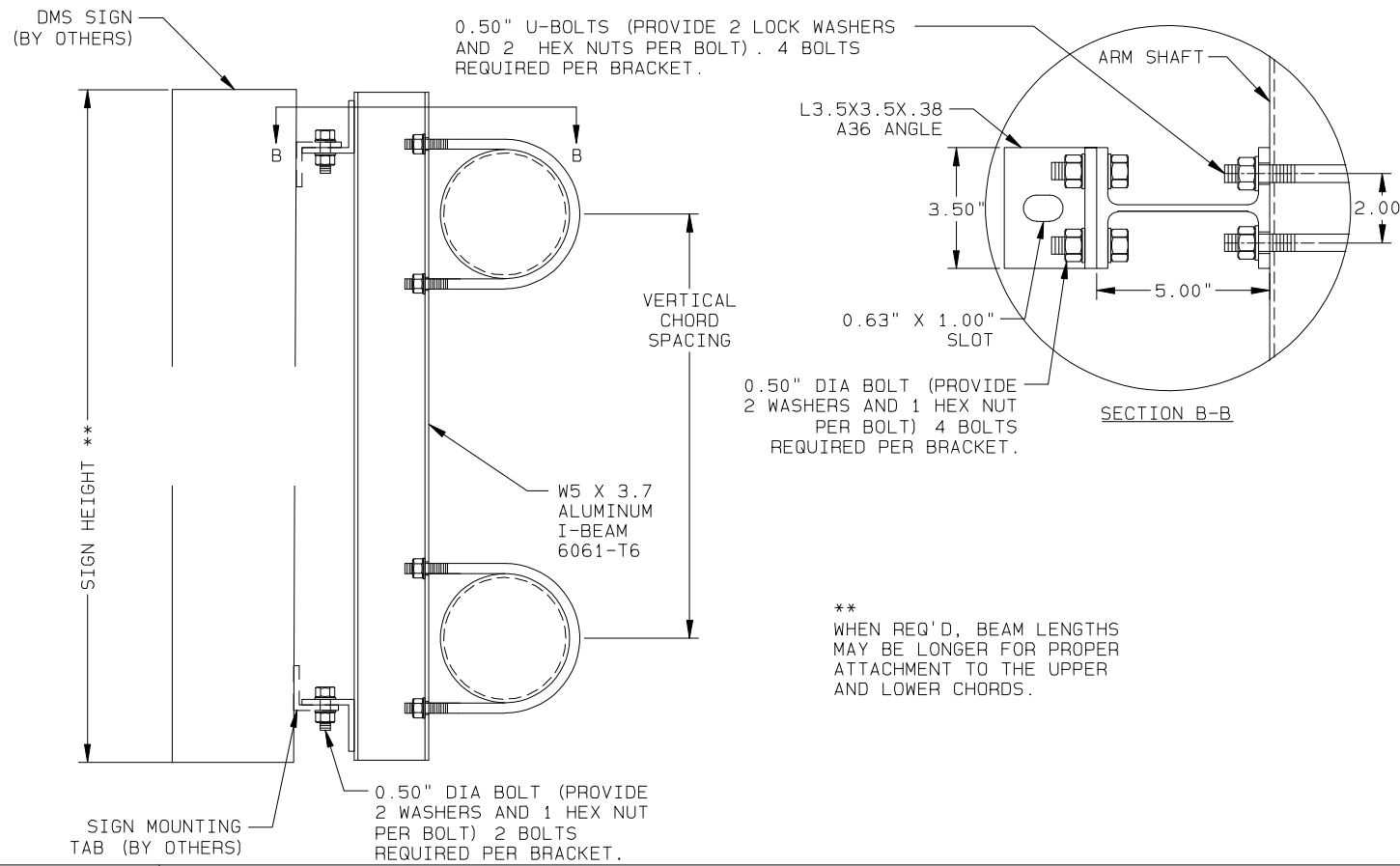
DETAIL 1 POLE TOP



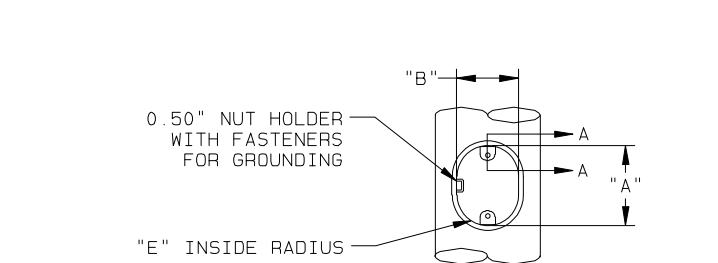
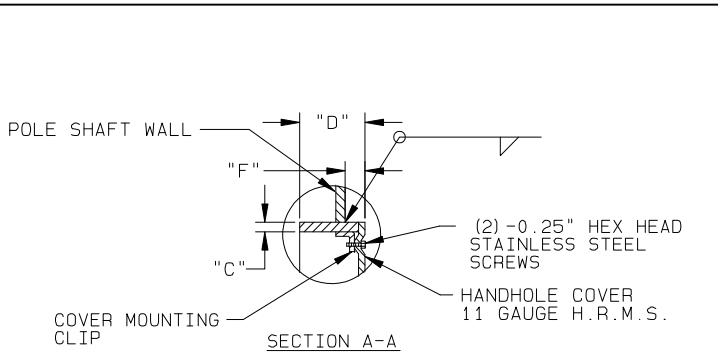
DETAIL 2 SIGNAL ARM ATTACHMENT

SIGNAL ARM ATTACHMENT DATA

POLE BASE DIA. (IN)	"A" (IN)	"B" (IN)	"C" (IN)	"D" (IN)	CENTER HOLE DIA. (IN)	"H" (IN)
12.50	17.75	14.50	2.00	0.375	7.00	1.25 X 6.00

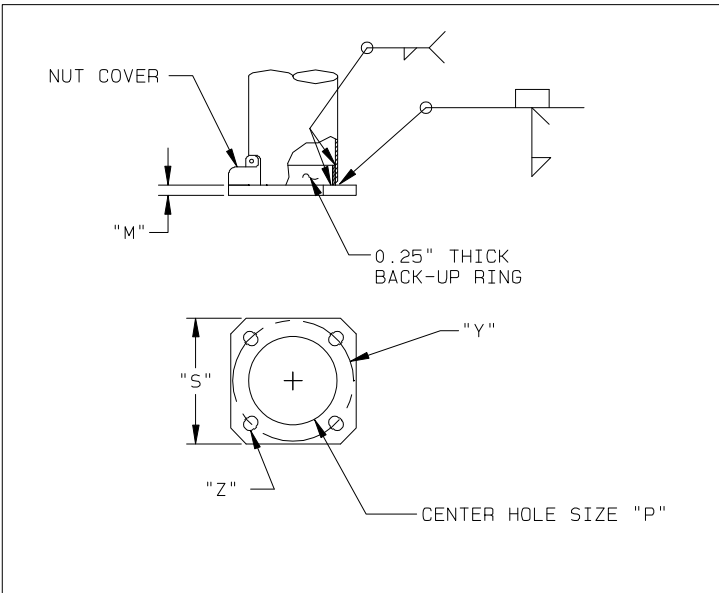


DETAIL 3 DMS SIGN ATTACHMENT

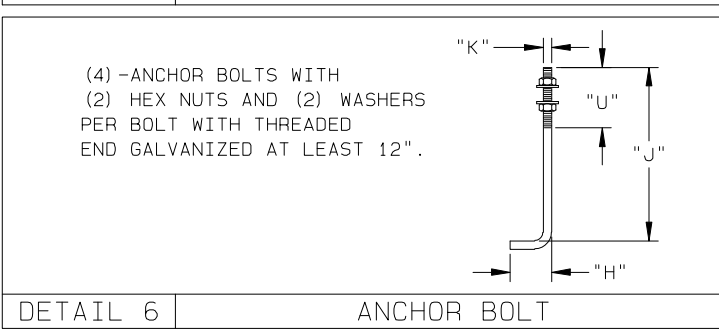


DETAIL 4 HANDHOLE

BASE DIA.	"A" I.D. (IN)	"B" I.D. (IN)	"C" THK (IN)	"D" DEPTH (IN)	"E" RADIUS (IN)	"F" PROJ (IN)	"G" MTG. HEIGHT (FT)
12.50"	4.50	6.56	0.50	2.50	2.25	0.50	1.50



DETAIL 5 POLE BASE



DETAIL 6 ANCHOR BOLT

MATERIAL DATA

COMPONENT	ASTM DESIGNATION	MIN. YIELD (KSI)	COMPONENT	ASTM DESIGNATION	MIN. YIELD (KSI)
TAPERED TUBE	A595 GR. A OR A572	55	ANCHOR BOLTS	F1554 GR. 55	55
POLE BASE	A572	50	GALVANIZING-HARDWARE	HOT DIP ZINC	--
ARM ATTACHMENT	A572	50			
ARM CONN. BOLTS	A325	--			

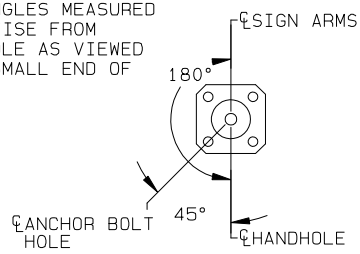
POLE AND SIGNAL ARM DATA

ITEM	QTY.	POLE TUBE				POLE BASE					ANCHOR BOLT				SIGNAL ARM TUBE			
		BASE DIA. (IN)	TOP DIA. (IN)	LENGTH (FT)	GAUGE OR THICK (IN)	SQUARE "S" (IN)	BOLT CIRCLE "Y" (IN)	THK. "M" (IN)	HOLE "Z" (IN)	CENTER HOLE "P"	DIA. "K" (IN)	LENGTH "J" (IN)	HOOK "H" (IN)	THREAD LENGTH "U" (IN)	FIXED END DIA. (IN)	FREE END DIA. (IN)	GAUGE OR THICK (IN)	SPAN (FT)
1	1	12.50	9.28	23.00	5	17.50	16.50	2.00	1.75	11.00	1.50	54.00	6.00	8.00	9.00	6.48	7	18.00
															9.00	6.48	7	18.00

ALTHOUGH RARE, VIBRATIONS SEVERE ENOUGH TO CAUSE DAMAGE CAN OCCASIONALLY OCCUR IN STRUCTURES OF ALL TYPES. BECAUSE THEY ARE INFLUENCED BY MANY INTERACTING VARIABLES, VIBRATIONS ARE GENERALLY UNPREDICTABLE. THE USER'S MAINTENANCE PROGRAM SHOULD INCLUDE OBSERVATION FOR EXCESSIVE VIBRATION AND EXAMINATION FOR ANY STRUCTURAL DAMAGE OR BOLT LOOSENING. THE VALMONT WARRANTY SPECIFICALLY EXCLUDES FATIGUE FAILURE OR SIMILAR PHENOMENA RESULTING FROM INDUCED VIBRATION, HARMONIC OSCILLATION OR RESONANCE ASSOCIATED WITH MOVEMENT OF AIR CURRENTS AROUND THE PRODUCT.

VIBRATION DISCLAIMER

ALL ANGLES MEASURED CLOCKWISE FROM HANDHOLE AS VIEWED FROM SMALL END OF POLE



RADIAL INDEX

REV	DRAWN BY-DATE	CHECK BY-DATE	DESCRIPTION
A	BD4 09/22/15	BD4 09/22/15	SIGN WAS CENTERED
	BD4 09/11/15	JWK3 09/11/15	

SOLD TO:	OVERLAND PARK
SHIP TO:	DMS SIGN STRUCTURE
P.O. #:	
AGENT:	POWER EQUIPMENT SALES CO., INC.

JOB	OVERLAND PARK
	DMS SIGN STRUCTURE
TITLE	DMS SIGN STRUCTURE

VALMONT INDUSTRIES, INC. RESERVES THE RIGHT TO INSTALL VARIOUS, ENGINEER APPROVED, MATERIAL HANGING ACCOMMODATIONS TO FACILITATE THE MANUFACTURING PROCESS.

valmont
 Valley, NE 68064
 (402) 359-2201

ORDER NUMBER:	304116-P1
PAGE NUMBER:	1 OF 1
DRAWING NUMBER	REV
KS304116P1	A