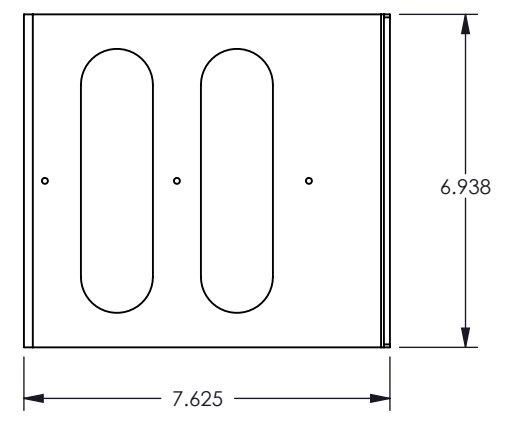
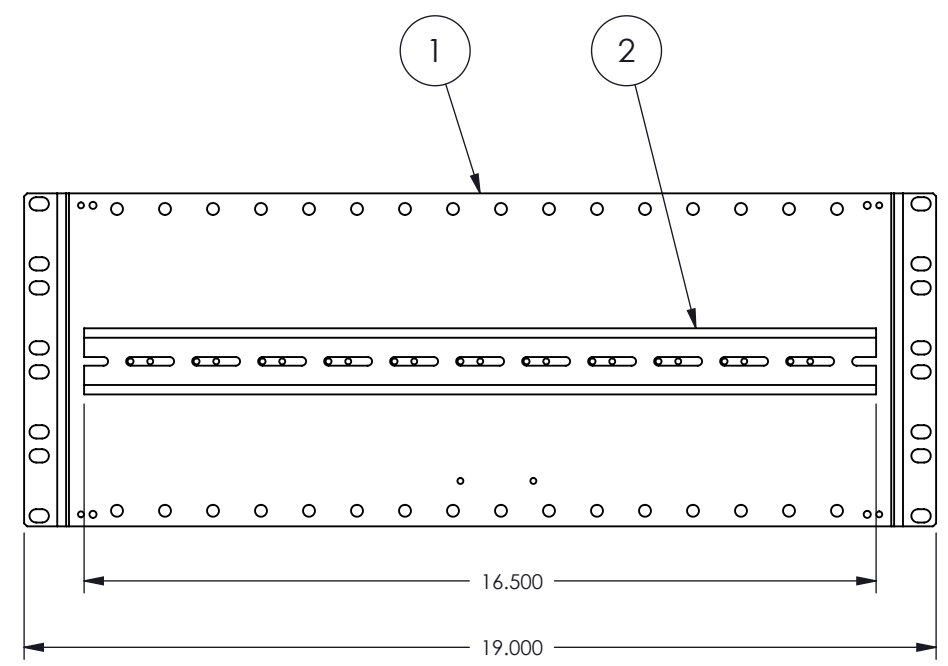
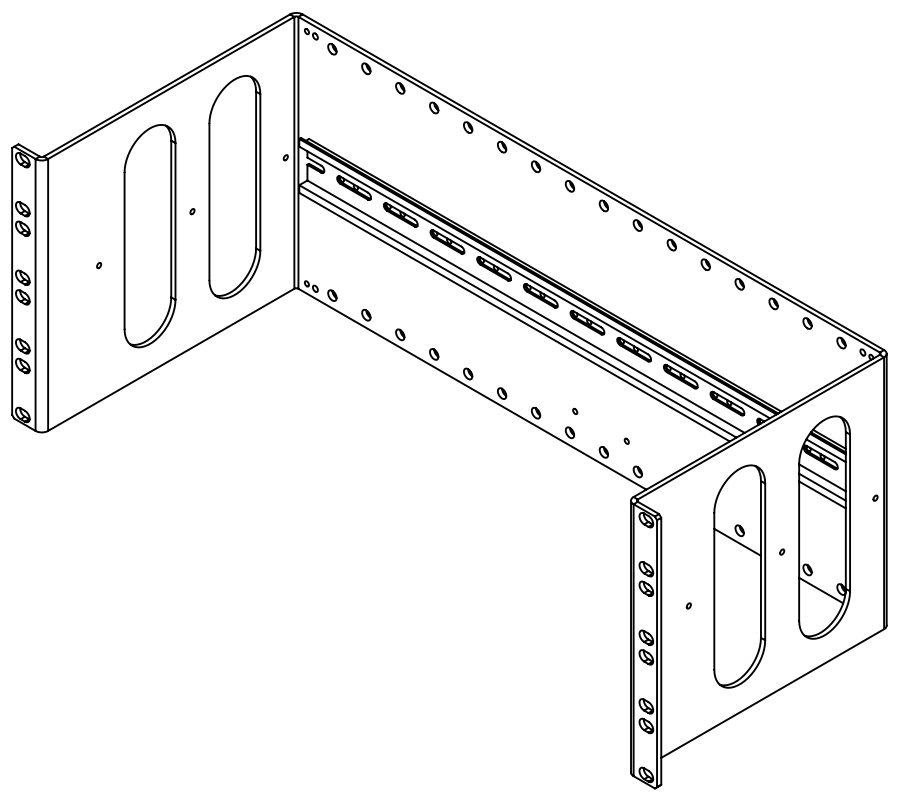


ITEM NO.	M1 Part ID	PART NUMBER	Revision	DESCRIPTION	QTY
1		RECESS-PANEL-001-08	02	4 R.U., 7.625" Deep Recess Panel	1
2	DIN RAIL 16.5	DIN RAIL 6mmx35mmx16.5		Din Rail cut to 16.5 inches	1

REVISION HISTORY			
REV.	DESCRIPTION	DATE	APPROVED
OS	INITIAL RELEASE	03/08/2019	OS



UNLESS OTHERWISE SPECIFIED ALL DIMENSIONS ARE IN INCHES TOLERANCES .X = ± .030 .XX = ± .020 .XXX = ± .015 ANGLES = ± .5	APPROVALS DSGN: OS 3/8/2019 DRWN: OS 3/8/2019 APRV: OS 3/8/2019	Southern Manufacturing 2000E LAKE MARY BLVD. SANFORD, FLORIDA, USA 32773 LOCATION: S:\CAD\1\SOLIDWORKS\E_Cabinets\Standard Assemblies\Support\Secondary Surge\
	FINISH NONE	
THIRD ANGLE PROJECTION	MATERIAL ""	WEIGHT: 2.6 LBS SURF. AREA: 483.7 SCALE: 1:4 SIZE: B SHEET: 1 OF 1 REV: 00

F
E
D
C
B
A

F
E
D
C
B
A

8 7 6 5 4 3 2 1